



GO THE DISTANCE.

# TWIST LOCKS

**TECHNOLOGY**



## Twistlock Technology

Standard Retractable

Extended Retractable



# TWISTLOCKS

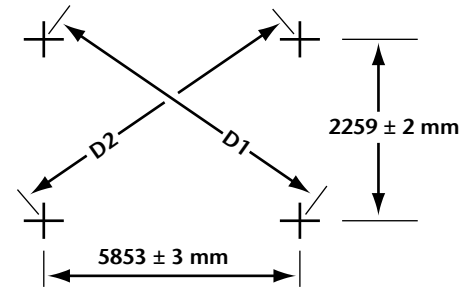
## HOLLAND'S RETRACTABLE TWISTLOCKS OFFER

one handed easy operation and with its open design ensures easy maintenance. The securing head retracts below the deck level which allows for the cartage of both containerised and non-containerised loads. An additional feature is the supporting of the Twistlock throughout the entire shaft length.

The operating lever has a positive lock through the full 90 degrees and offers visible detection of incorrect locking

The Twistlock is simply installed to any trailer configuration, made to ISO 1496 and ISO 1161 standards. Axial load rating 105kN.

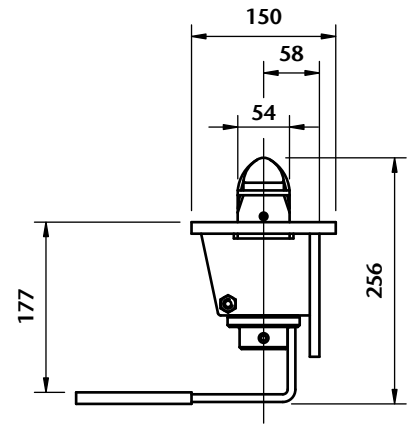
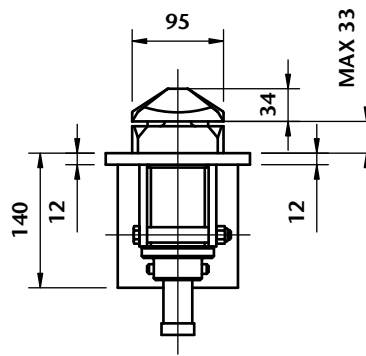
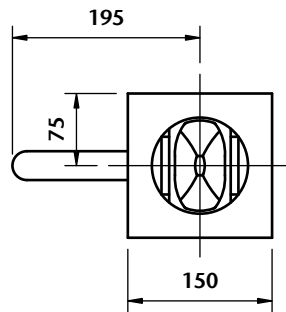
## TWISTLOCK INSTALLATION TOLERANCES



$$\begin{aligned} D1 - D2 &= K \\ D2 - D1 &= K \end{aligned} \left. \vphantom{\begin{aligned} D1 - D2 &= K \\ D2 - D1 &= K \end{aligned}} \right\} 6 \text{ mm Maximum}$$

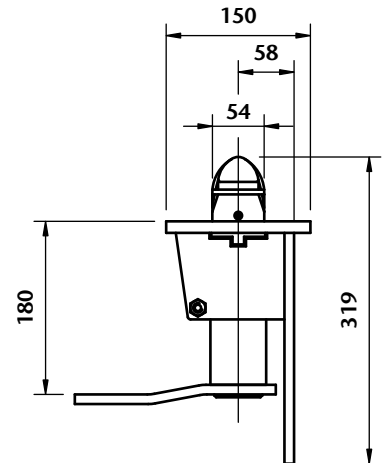
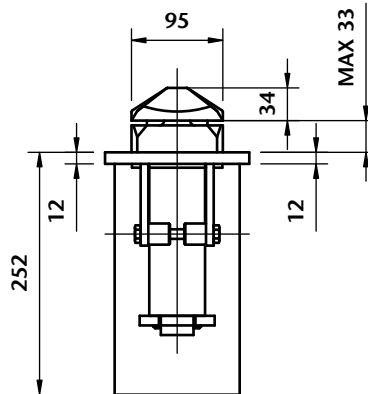
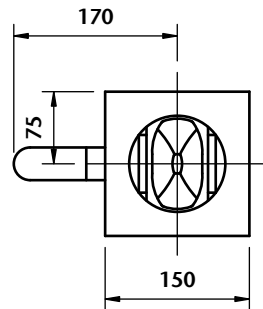
## STANDARD TWISTLOCK

- HTL001**  
Twistlock, Standard
- HTL002**  
Body
- HTL003**  
Register



## EXTENDED TWISTLOCK

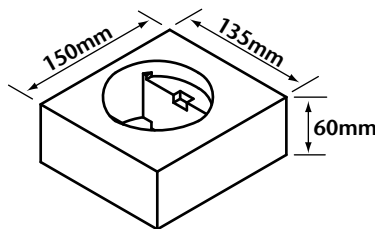
- HTL004**  
Twistlock, Extended
- HTL005**  
Body
- HTL006**  
Register



## PACKER BLOCK

Suits Extended Twistlock

- HTL007**  
Packer Block



THE HOLLAND GROUP, INC.  
467 Ottawa Avenue P.O. Box 2099 Holland, MI 49422-2099  
www.thehollandgroupinc.com

Copyright © July 2006 Holland Hitch (Aust.) Pty. Ltd.  
www.hollandhitch.com.au



Quality Endorsed Company

**Holland Hitch (Aust.) Pty. Ltd.**  
A.B.N. 79 004 371 215  
P.O. Box 63 - 115 High Street  
MELTON VIC 3337  
Ph: (03) 9743 6799  
Fax: (03) 9743 6763

**Western Region**  
Unit 2 - 511 Abernethy Road  
KEWDALE WA 6105  
Ph: (08) 9353 6122  
Fax: (08) 9353 6144

**Northern Region**  
12 Pradella Street  
DARRA QLD 4076  
Ph: (07) 3375 7033  
FAX: (07) 3375 7044

**Eastern Region**  
Unit 4  
13 McCormack Street  
ARNDELL PARK NSW 2148  
Ph: (02) 9672 1950  
FAX: (02) 9672 1994