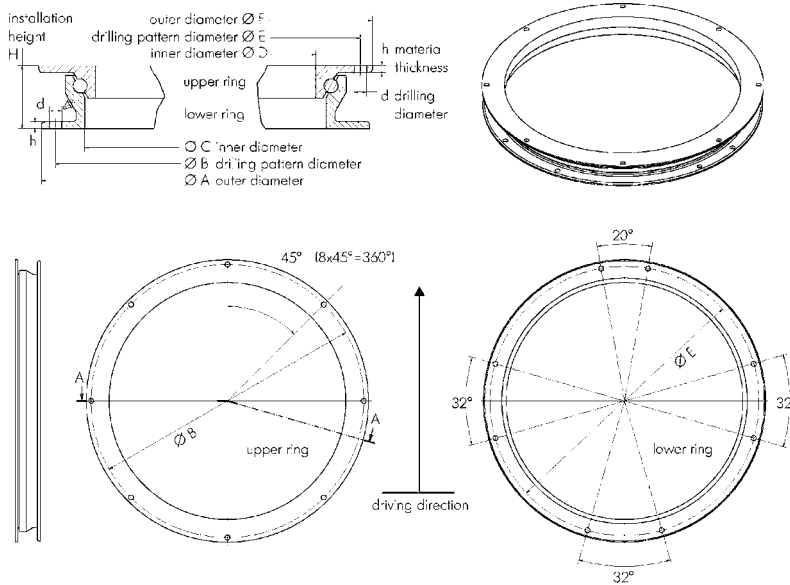


SPECIAL OFFER

BALL RACES FOR DRAWBAR TRAILERS



TECHNICAL DATA:

The specifications are nominal dimensions and are subject to the tolerances at our works.

Ball races from Georg Fisher are suitable for the installation on the front axle of 2- and 3- axle drawbar trailers with a max. permissible speed of 105 km/h (65 mph). On 2-axle-trailers the specified axle loads can be exceeded by 10%, at speeds below 30 km/h (18 mph) by 20%.

Please request the permitted loads for forced steering semi-trailers, giving details of the vehicle used.

All data apply to use on paved roads and standard road conditions in Western Europe.

SINGLE ROW BALL RACES STANDARD MAINTENANCE

Part No.	A mm	B mm	C mm	D mm	E mm	F mm	d mm	h mm	H mm	Description
662 106 120	1000	960	877	846	974	1008	18	10	90	Ball races 10 to / BR-S10 undrilled
662 106 160	1100	1060	977	946	1074	1108	18	10	90	Ball races 12 to / BR-S12-1 drilled
662 106 180	1200	1160	1077	1046	1174	1208	18	10	90	Ball races 13 to / BR-S13-2 drilled

LOW MAINTENANCE

Part No.	A mm	B mm	C mm	D mm	E mm	F mm	d mm	h mm	H mm	Description
662 106 150	1100	1060	977	946	1074	1108	18	10	90	Ball races 10 to / BR-W10-1 drilled
662 106 170	1100	1060	977	946	1074	1108	18	10	90	Ball races 12 to / BR-W12-1 drilled
662 106 190	1200	1160	1077	1046	1174	1208	18	10	90	Ball races 13 to / BR-W 13-2 drilled



Attention:

Please follow the specific trailer manufacturer instructions for the operation of the particular vehicle. Compliance with the corresponding national legislation safety standard is required.

SAF-HOLLAND GmbH

Business Unit Aftermarket · Hauptstraße 26 · 63856 Bessenbach · Germany · Tel +49 6095 301-301

www.safholland.com