

DRAMATICALLY IMPROVE PERFORMANCE OVER STANDARD LANDING GEAR CRANK HANDLES!

No longer struggle with the problems of conventional cranks that come off the input shaft when shifting gears or cranking the landing gear.

Speed Crank improves safety and performance for all landing gear by providing the operator with instant wobble-free operation and secure high to low shifting. This is done through a unique yoke design that automatically locks on to the input shaft when the crank handle is lifted to the cranking position. A simple pull on the yoke lock pins allows the crank handle to disengage the input shaft and rotate down to be stowed in the crank hanger.

FEATURES & BENEFITS

- Automatic locking device engages by lifting the crank into position
- Will not slip off the input shaft when cranking or pulling out to shift gears
- The User Friendly design can be heard clicking into the engaged position letting the user know it is ready to crank
- Metal rotating grip handle
- Fast, user-friendly design
- Standard powder coat finish

Patent Number 7,311,332



SPEED CRANK™

From SAF-HOLLAND

SPEED CRANK™ HANDLE

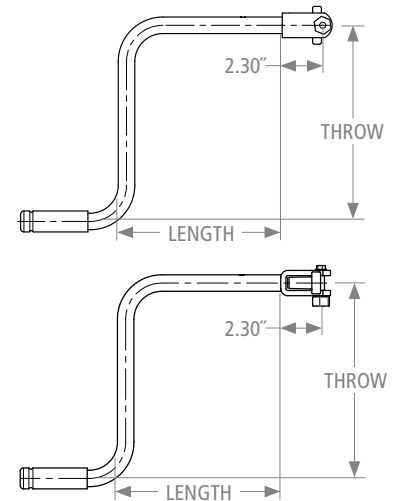
Vertical Folding

PART NO.	LENGTH (in.)	THROW (in.)	WEIGHT (lbs.)
112021	6.70	14.00	5.14
112023	11.70	14.00	5.60
112025	17.70	14.00	6.17
112030*	5.70	12.00	3.70

* For 7/8" Shaft

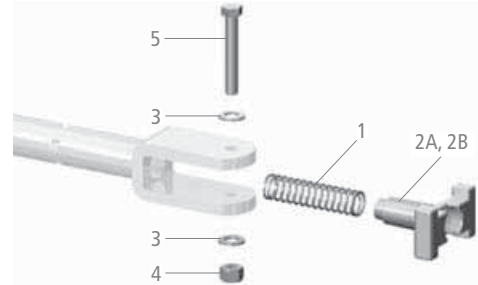
Horizontal Folding

PART NO.	LENGTH (in.)	THROW (in.)	WEIGHT (lbs.)
112001	6.70	14.00	5.14
112003	11.70	14.00	5.60
112005	17.70	14.00	6.17

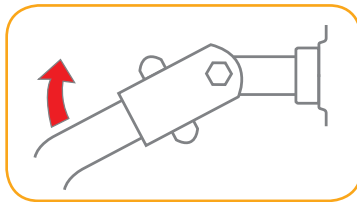


REPLACEMENT PARTS

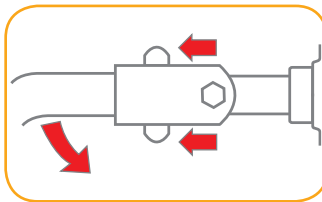
NO.	DESCRIPTION	PART NO.	QTY.
1	Spring	112015	1
2A	Plunger - for 1" Shaft	112014	1
2B	Plunger - for 7/8" Shaft	112034	1
3	Washer - .38"	202403	2
4	Hex Lock Nut - .38"-16	203514	1
5	Hex Head Screw - .38"-16 x 2.50" Lg	201208	1



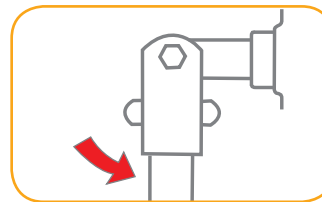
OPERATION INSTRUCTIONS



To engage Speed Crank, lift handle until it automatically locks to input shaft.



To release Speed Crank, pull lock pins towards you and move down.



To stow Speed Crank, swing crank handle to the down position.

⚠ WARNING

Crank must be disengaged and stowed after use. Failure to safely stow crank in the crank hanger bracket prior to transit may result in the crank separating from the landing gear which, if not avoided, could result in death or serious injury.

WARRANTY

We warrant to the original purchaser, the Speed Crank handle, when properly installed on the vehicle and maintained and operated in accordance with our recommendations for a period of 12 months from date of purchase. You are responsible for the proper installation, maintenance, and operation of the Speed Crank product as specified above and for using the product in recommended applications within the rated capacity. This warranty does not cover any product or component that is altered without written permission, or fails, malfunctions or is damaged as a result of accident, abuse, or improper installation, maintenance, or use. This warranty is our sole warranty in regard to covered Speed Crank. We make no other warranties expressed or implied, or of merchantability or fitness for a particular purpose. In no event shall we be responsible special, incidental, or consequential damages of any kind.

SAF-HOLLAND USA, Inc.

800.876.3929 Fax 800.356.3929

SAF-HOLLAND Canada Limited

519.537.3494 Fax 800.565.7753

Western Canada 604.574.7491 Fax 604.574.0244

www.safholland.com

SAF Holland
Engineering Your Road to Success