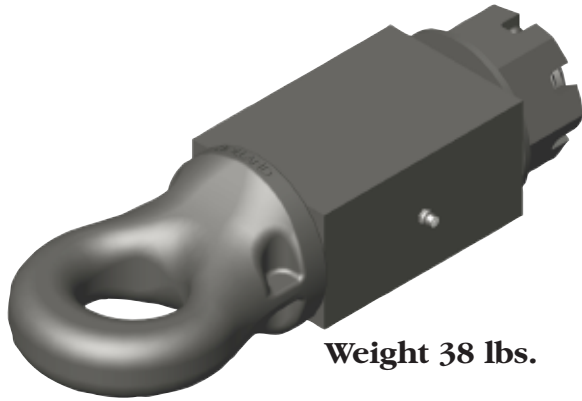




GO THE DISTANCE.

DB-045BW1

DB-045BW1 SPECIFICATIONS



Weight 38 lbs.



**2³/₈" I.D. eye forged steel swivel drawbar with induction hardened wear area.
1.63" diameter section.**

**9,000 lbs. Maximum Vertical Load
45,000 lbs. Maximum Gross Trailer Weight**

NOTE: When used for hinged tongue trailer applications where maximum vertical load cannot exceed 500 lbs., the maximum gross trailer weight is 85,000 lbs.

IMPORTANT SAFETY INFORMATION

Maintain adequate vertical (tongue) load to properly control the trailer (generally 10% of G.T.W.), but do not exceed the capacity ratings at right.

This equipment must not be used or maintained in a careless manner.

DURING OPERATION

1. Be sure the drawbar size is compatible with the coupling device on the tow vehicle.
2. Do not damage the coupling components. Be particularly careful during coupling and uncoupling.
3. Inspect the coupling device on the tow vehicle for proper operation. Do not use any coupling device that does not operate properly.
4. Other steps and inspections are also required. Consult OSHA and D.O.T. regulations and American Trucking Association for complete coupling and uncoupling procedures. These cover items such as cargo securement, brakes, lights, safety chains, and other important requirements.

GENERAL INFORMATION:

1. Do not modify or add to the product.
2. Wear safety goggles during installation and removal.
3. Never strike any part of the item with a steel hammer.
4. Do not weld on this product, other than as directed for installation.

This product is covered by Holland's Drawbar, Tow Hook, and Other Towing Accessories Commercial Warranty. Holland reserves the right, without giving prior notice, to change specifications and dimensions as designs are altered or improved.

TOWING APPLICATIONS:

Trailers, full trailers (including doubles), and equipment designed for over-the-road towing within the stated capacities. For off-road applications, reduce the above capacities by 25% and use in conjunction with a rigid type pintle hook.

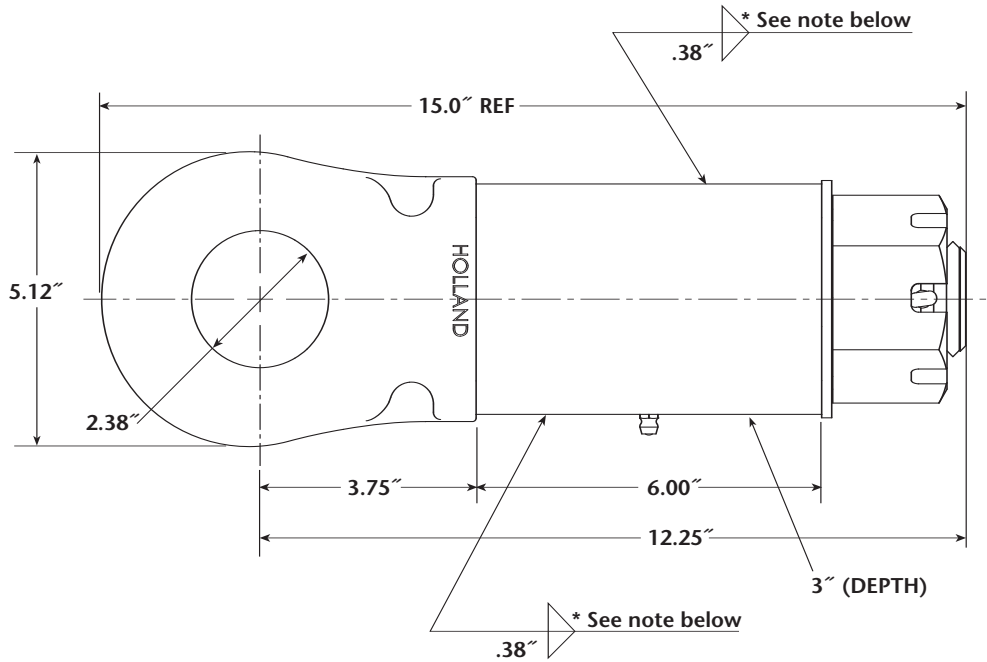
MOUNTING:

1. Use a mounting structure of sufficient strength to support the rated capacity of the drawbar in accordance with SAE J849 and SAE J847, respectively.
2. Refer to drawings on the reverse for proper mounting dimensions.
When welding, use a procedure that assures a sound, good quality weld and which protects the operator and others. Overwelding may cause distortion and damage, and underwelding may not develop sufficient strength. A low hydrogen process and AWS E70XX filler metal are recommended.
3. Continuous 3/8" (.38") welds, with a total minimum length of 24 linear inches are required to develop sufficient hitch strength. (See drawing on reverse side.)
4. The rear nut (XB-T-316-A) should be tightened to a minimum of 100 ft-lbs torque. Increase the torque an additional amount, if needed, to align the recesses in the slotted nut with the hole in the shank. (Maximum additional rotation to be 1/6 of a full turn.) Insert the cotter pin (XB-121) through the nut and shank and then spread the ends of the cotter pin.

OPERATION AND MAINTENANCE:

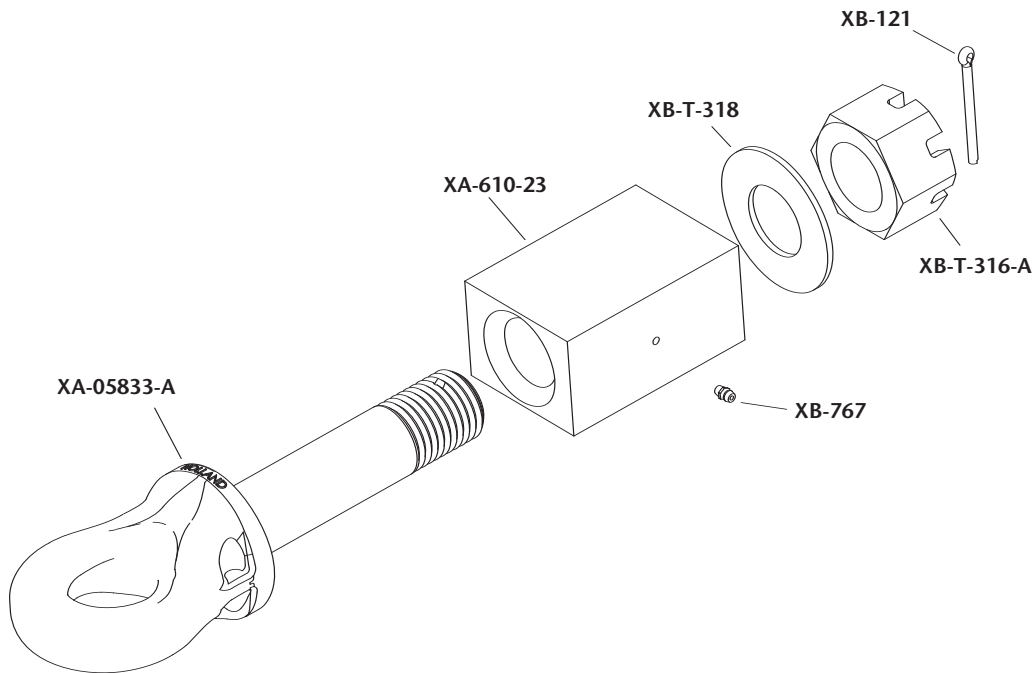
1. Before operating, inspect for worn, damaged or missing parts and secure mounting. Correct as required before use.
2. Regularly inspect the drawbar for wear and damage. If wear exceeds 1/8" (.125"), replace the drawbar.
3. Lubricate the mounting block grease fitting every 30,000 miles or 3 months, whichever comes first.

DB-045BW1



ALL DIMENSIONS SHOWN ARE NOMINAL

***Note:** 24 linear inches of .38" fillet weld are required to develop hitch strength.



Copyright © September 2004 • The Holland Group, Inc.

Holland USA, Inc. Facilities:

Dumas, AR Warrenton, MO
Holland, MI Wylie, TX
Muskegon, MI

Ph: 888-396-6501 Fax: 800-356-3929

Holland International, Inc.

Holland, MI
Phone: 616-396-6501
Fax: 616-396-1511

Holland Hitch of Canada, Ltd.

Woodstock, Ontario • Canada
Phone: 519-537-3494
Fax: 800-565-7753

Holland Equipment, Ltd.

Norwich, Ontario • Canada
Phone: 519-863-3414
Fax: 519-863-2398

Holland Hitch of Canada, Ltd.

Surrey, British Columbia • Canada
Phone: 604-574-7491
Fax: 604-574-0244