

# HOLLAND DH SERIES

DIRECT HYDRAULIC  
TWIN COLUMN  
LIFTGATES



# THE HOLLAND ADVANTAGE

- ▶ Maintenance free rollers run on greaseless track.
- ▶ Proprietary roller material stays flexible to -50°C translating into durability in both hot and cold weather conditions.
- ▶ Patented level-ride system resilient to low voltage conditions.
- ▶ Self-bleeding hydraulic system.
- ▶ Dual power unit configured to provide maximum motor life and faster cycle times.
- ▶ Standard power up/down control and power open/close.
- ▶ Standard galvanized chain and inner rails.



## THE DH SERIES OFFERS MORE STANDARD FEATURES

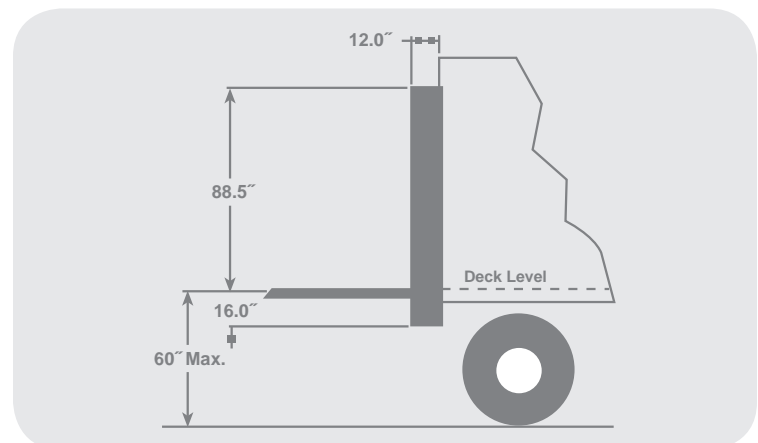
FEATURE	DH SERIES
Power Up / Power Down	Standard
Power Open / Power Close	Standard
Twin Motor Power Pack	Standard
Platform Chain and Flatness Adjustment	Standard
Recessed Tail Lights	Standard

## A FULL LINE OF TWIN COLUMN GATES

CAPACITY	PLATFORM FLAT	MINIMUM DECK HEIGHT	RAMP OPTIONS		
			FIXED RAMP	RAMP W/ AUTOMATIC CARTSTOP	ALUMINUM RETENTION RAMP
4500*	86 x 48	50" to 60"	✓		
	86 x 60	43" to 60"	✓	✓	✓
	86 x 72	43" to 60"			✓
	86 x 72	49" to 60"	✓	✓	
	86 x 84	49" to 60"			✓
5500	86 x 60	43" to 60"	✓	✓	✓
	86 x 72	43" to 60"			✓
	86 x 72	49" to 60"	✓	✓	
	86 x 84	49" to 60"			✓
6600	86 x 60	43" to 60"	✓	✓	✓
	86 x 72	43" to 60"			✓
	86 x 72	49" to 60"	✓	✓	
	86 x 84	49" to 60"			✓

\* Does not include standard twin motor pack.

US Patent No. 44405279  
 Canadian Patent No. 1148901  
 US and Canadian Patents Pending



SAF-HOLLAND USA, Inc.  
 888.396.6501 Fax 800.356.3929

SAF-HOLLAND Equipment Limited  
 800.503.9847 Fax 519.863.2398  
 Western Canada 604.574.7491 Fax 604.574.024

www.safholland.com

