

HOLLAND TL SERIES

LEVEL RIDE

FOLD-AWAY®

LIFTGATES



THE HOLLAND ADVANTAGE

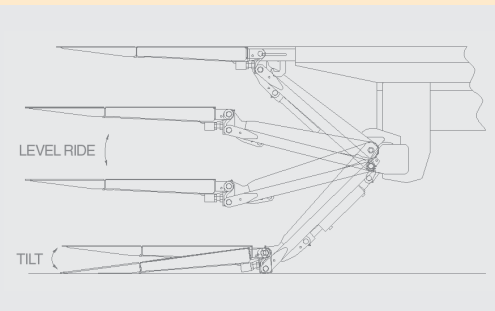
- ▶ Decades of proven performance history.
- ▶ 1/2" thick treadplate deck extension plate.
- ▶ 2,000 hours salt spray coating.
- ▶ Undercoated closed crossmembers.
- ▶ Nitrided cylinder rods in precision honed cylinders.
- ▶ Widest standard platform in the industry (88").
- ▶ Wide lift arms provide load stability.
- ▶ Dual automatic lock latches ensure safe storage.
- ▶ Dual cart stops on extruded aluminum platforms.
- ▶ Dual torsion springs assist folding.



THE TL SERIES OFFERS MORE STANDARD FEATURES.

- 1/2" thick treadplate deck extension plate.
- Dual cart stops on extruded aluminum platforms
- 88" wide wedge design platform.
- 1/8" treadplate on extruded aluminum constructed platform.
- Level ride, tilts at ground.
- Power Up/Power Down hydraulic system.
- Weather resistant potted toggle control.
- Side step bumpers (2" or 3").
- Dual lock latches.
- Superior rust resistant coating.
- Dual cylinder, double acting.
- Flow control valves.
- Master disconnect switch.
- Galvanized pump box.
- Dual torsion spring fold assist.
- Undercoating in closed crossmembers.

MODEL #	CAPACITY	PLATFORM	DECK HEIGHT	PLATFORM OPTIONS		
				STEEL/ALUMINUM PLATFORM	ALUMINUM PLATFORM	AUTOMATIC CARTSTOP
TL40483	4000	88" x 48"	44" to 58"	✓		
TL40523	4000	88" x 52"	44" to 58"	✓		
TL4061E	4000	88" x 61"	48" to 58"		✓	✓
TL5061E	5000	88" x 61"	48" to 58"		✓	✓



US Patent No. 44405279
 Canadian Patent No. 1148901
 US and Canadian Patents Pending

SAF-HOLLAND USA, Inc.
 888.396.6501 Fax 800.356.3929

SAF-HOLLAND Equipment Limited
 800.503.9847 Fax 519.863.2398
 Western Canada 604.574.7491 Fax 604.574.024

www.safholland.com

