



# FW0100

## FW0100 SPECIFICATIONS



### Extra Heavy Duty Fifth Wheel

45000 kg Vertical Load

165 kN D-Value - 2" Version

240 kN D-Value - 3.5" Version



### WARNING

The load limits given are valid for operation on paved roads and under conditions prevailing in Europe. For alternative conditions please consult Holland

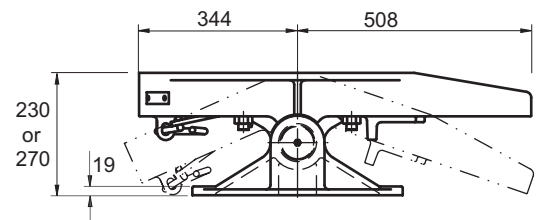
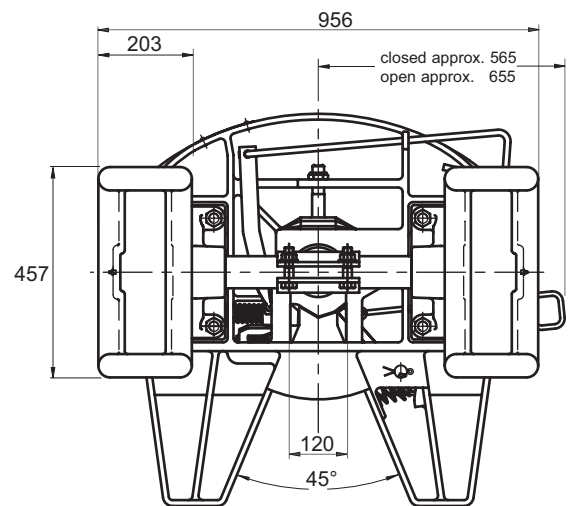
### FEATURES OF THE FW0100

- 2" or 3.5" Extra-Heavy Duty Fifth Wheel manufactured from high strength cast steel, designed for the most demanding applications.
- The high strength lock system is manufactured from high quality forged and heat-treated components.
- Solid trunnion shaft serves as a torsion bar between the brackets for extremely high vertical loads.
- Minimum operating temperature -40°C.
- Suitable for rear axle steering systems, high steering accuracy due to minimal radial movement.



### WARNING

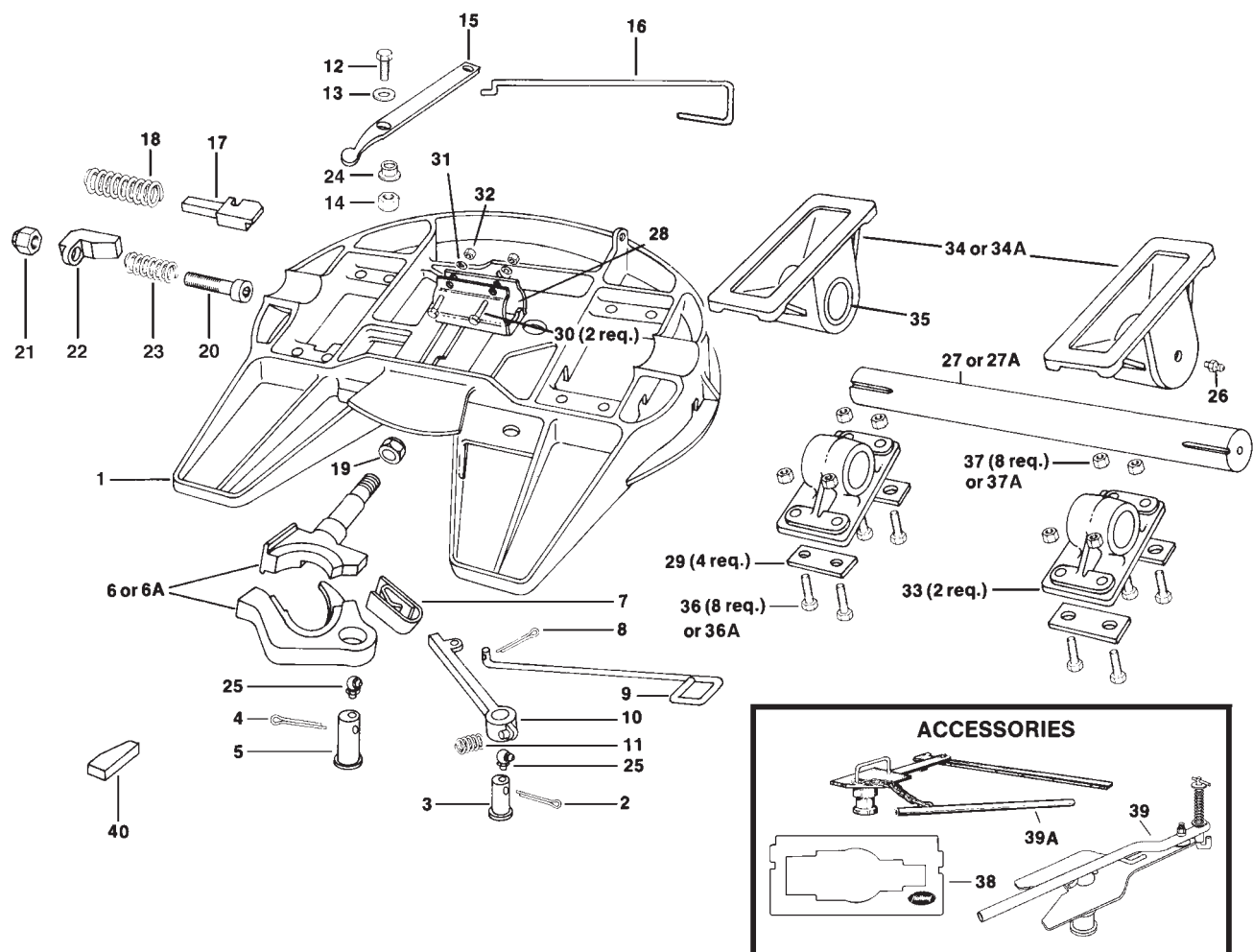
Mounting must be carried out in accordance with Holland instructions



Part Number	Height	Vertical Load	D-Value	Weight	Locks
FW0100-03	top plate only	45000 kg	240 kN	159 kg	3.5"
FW0100-02	top plate only	45000 kg	165 kN	159 kg	2"
FW0100-O	270 mm	45000 kg	240 kN	272 kg	3.5"
FW0100-OC	230 mm	45000 kg	240 kN	268 kg	3.5"
FW0100-D	270 mm	45000 kg	165 kN	272 kg	2"
FW0100-DC	230 mm	45000 kg	165 kN	268 kg	2"

Holland reserves the right, without prior notice, to change specifications and dimensions.

# FW0100 FIFTH WHEEL - SPARE PARTS



ITEM	PART NO.	QTY.	DESCRIPTION	ITEM	PART NO.	QTY.	DESCRIPTION
* 1	XA-101-D	1	Fifth Wheel top plate - 2" kingpin	22	XD-3123-1	1	Adjustment wedge
* 1A	XA-101-O	1	Fifth Wheel top plate - 3.5" kingpin	23	XB-403	1	Compression spring
2	XB-5	1	Cotter pin 1/4" x 2"	24	XB-02949	1	Bushing
3	XA-1016-C	1	Lock pin	25	XB-767-C	2	Lube fitting (45°)
4	XB-T-60	1	Cotter pin 1/4" x 2.5"	*26	XB-H-38	2	Lube fitting
5	XA-FW-108-D-1	1	Lock pin	*27	XA-FW-106	1	Trunnion shaft
6	XA-FW-104-D	1	Lock set for 2" kingpin	*28	XA-FW-113-D	2	Trunnion shaft clamp
6A	XA-FW-104-03	1	Lock set for 3.5" kingpin	*29	XB-03371	4	Shims
7	XA-FW-128	1	Spring	*30	XB-772	2	Hex bolt 3/4" - 16 x 3"
8	XB-16	1	Cotter pin 1/8" x 1"	*31	XB-PW-1316-112	2	Washer
9	XA-FW-138	1	Secondary lock release handle	*32	XB-769	2	Nut 3/4" - 16
10	XA-FW-137-2	1	Secondary lock arm	*33	XA-FW-103	2	Trunnion shaft bracket
11	XB-1028-2	1	Spring	*34	XA-FW-102	2	Mounting bracket - 10.5" height
12	XB-2083	1	Hex head cap screw 1/2" - 20 x 1.75	*34A	XA-FW-102-C	2	Mounting bracket - 9" height
13	XB-T-49	1	Plain washer	*35	XA-FW-107	2	Bushing
14	XB-T-69-A	1	Hex lock nut 1/2" - 20	*36	XB-08914	8	Bolt 7/8"-14x4"
15	XA-1005-FDS	1	Release lever	*37	XB-T-307	8	Lock nut 7/8"-14
16	XA-1117-13	1	Release handle	*36A	XB-FW-109	8	Hex head cap bolt 1" - 8 x 4"
17	XA-1104	1	Plunger	*37A	XB-C-41	8	Lock nut 1"- 8
18	XB-1007	1	Compression spring (red)	*38	TF-0110	1	Kingpin gage
19	XB-04473	1	Jam nut 1" - 14	*39	TF-TLN-5001	1	2" kingpin lock tester
20	XB-2001	1	Socket head cap screw	*39A	TF-TLN-1500	1	3.5" kingpin lock tester
21	XB-HNH-58-C	1	Lock Nut 5/8" - 11	40	XA-05768	1	Adjusting block
	RK-65024		Lock repair kit (2")		RK-65012		Full overhaul kit (2")
	RK-65024-1		Lock repair kit (3.5")		RK-65013		Full overhaul kit (3.5")

\* Not included in Rebuild Kits



**SAF-HOLLAND GmbH**  
 Hauptstraße 26  
 D-63856 Bessenbach, Germany  
 Phone: +49 (0) 6095-301302  
 Fax: +49 (0) 6095-301200

**HOLLAND EUROHITCH Ltd.**  
 Hoo Farm Ind. Est. Worcester Rd.  
 Kidderminster, Worcs. DY11 7RA, UK  
 Phone: +44 (0) 1562-732010  
 Fax: +44 (0) 1562-732020

**HOLLAND EUROPE GmbH**  
 Altenkamp 9, D-33758  
 Schloss Holte-Stukenbrock, Germany  
 Phone: +49 (0) 5207-89560  
 Fax: +49 (0) 5207-895656

Copyright © October 2007-SAF-HOLLAND. All information contained in this document is correct at time of copyright and is subject to change without notification all rights reserved