



FW0165

FW0165 SPECIFICATIONS



Severe Duty Fifth Wheel

74000 kg Vertical Load

165 kN D-Value - 2" Version

240 kN D-Value - 3.5" Version

FEATURES OF THE FW0165

- 2" or 3.5" Extra-Heavy Duty Fifth Wheel manufactured from high strength cast steel, designed for the most demanding applications.
- The high strength lock system is manufactured from high quality forged and heat-treated components.
- Extremely high vertical load capability
- Minimum operating temperature -40°C.



WARNING

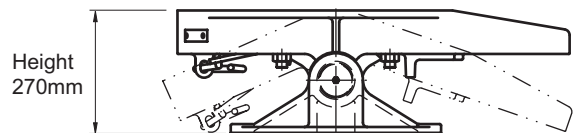
Mounting must be carried out in accordance with Holland instructions



WARNING

The load limits given are valid for operation on paved roads and under conditions prevailing in Europe. For alternative conditions please consult Holland

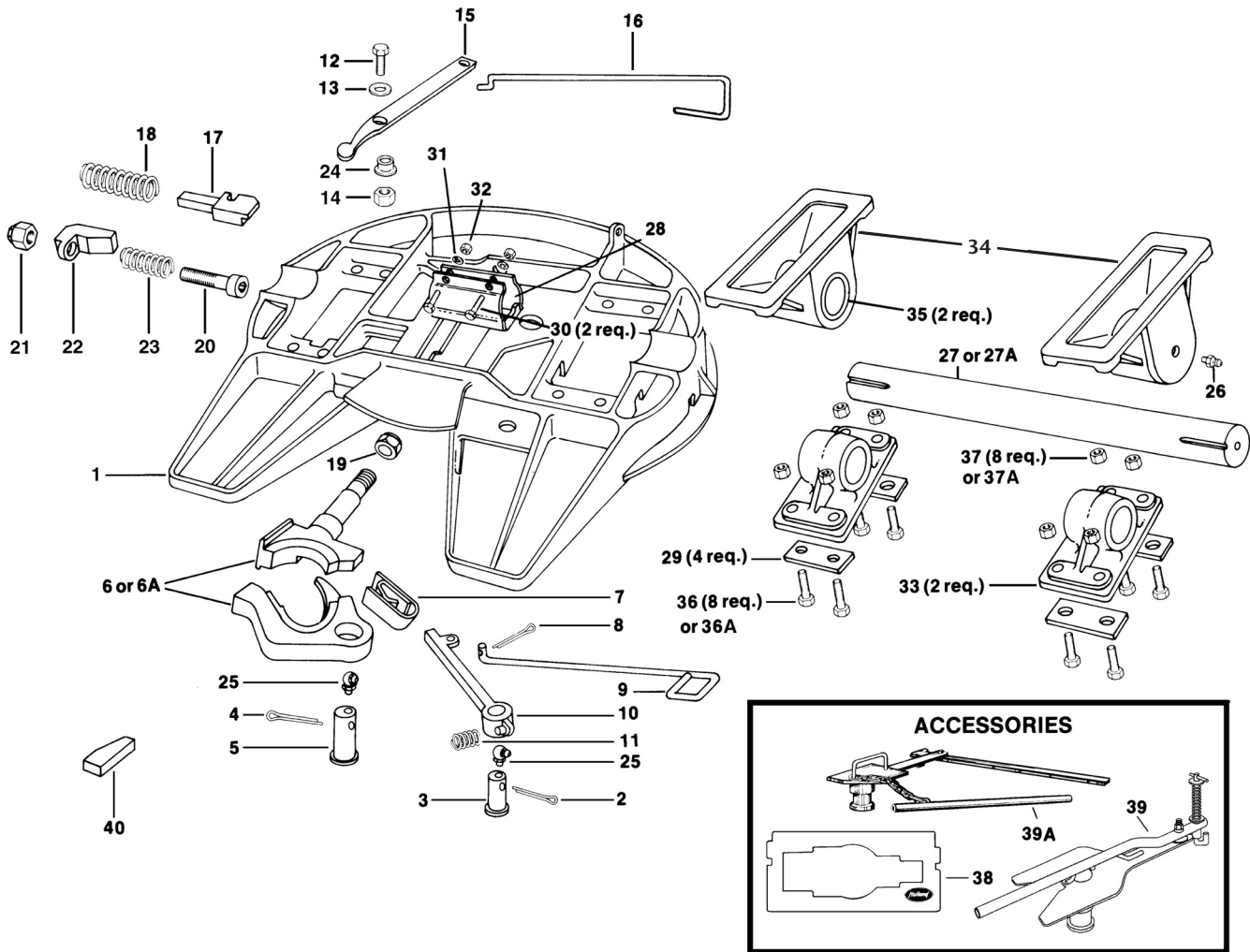
FIFTH WHEEL HEIGHT



PART NUMBERS & SPECIFICATION

Part Number	Height	Vertical Load	D-Value	Weight	Locks
FW0165-0091	270 mm	74000 kg	240 kN	302 kg	3.5"
FW0165-0091-1	270 mm	74000 kg	165 kN	295 kg	2"

FW0165 FIFTH WHEEL - SPARE PARTS



ITEM	PART NO.	QTY.	DESCRIPTION	ITEM	PART NO.	QTY.	DESCRIPTION
* 1	XA-115-1	1	Fifth Wheel top plate - 2" kingpin	22	XD-3123-1	1	Adjustment wedge
* 1A	XA-115	1	Fifth Wheel top plate - 3.5" kingpin	23	XB-403	1	Compression spring
2	XB-5	1	Cotter pin 1/4" x 2"	24	XB-02949	1	Bushing
3	XA-1016-C	1	Lock pin	25	XB-767-C	2	Lube fitting (45°)
4	XB-T-60	1	Cotter pin 1/4" x 2.5"	*26	XB-H-38	2	Lube fitting
5	XA-FW-108-D-1	1	Lock pin	*27	XA-FW-106	1	Trunnion shaft
6	XA-FW-104-D	1	Lock set for 2" kingpin	*28	XA-FW-113-D	2	Trunnion shaft clamp
6A	XA-FW-104-03	1	Lock set for 3.5" kingpin	*29	XB-03371	4	Shims
7	XA-FW-128	1	Spring	*30	XB-772	2	Hex bolt 3/4" - 16 x 3"
8	XB-16	1	Cotter pin 1/8" x 1"	*31	XB-PW-1316-112	2	Washer
9	XA-FW-138	1	Secondary lock release handle	*32	XB-769	2	Nut 3/4" - 16
10	XA-FW-137-2	1	Secondary lock arm	*33	XA-FW-103	2	Trunnion shaft bracket
11	XB-1028-2	1	Spring	*34	XA-FW-102	2	Mounting bracket - 270mm
12	XB-2083	1	Hex head cap screw 1/2" - 20 x 1.75	*35	XA-FW-107	2	Bushing
13	XB-T-49	1	Plain washer	*36	XB-08914	8	Bolt 7/8"-14x4" } After 8/97
14	XB-T-69-A	1	Hex lock nut 1/2" - 20	*37	XB-T-307	8	Lock nut 7/8"-14 } check hole size
15	XA-1005-FDS	1	Release lever	*36A	XB-FW-109	8	Hex head cap bolt 1" - 8 x 4" } Prior
16	XA-1117-13	1	Release handle	*37A	XB-C-41	8	Lock nut 1" - 8 } 8/97
17	XA-1104	1	Plunger	*38	TF-0110	1	Kingpin gage
18	XB-1007	1	Compression spring (red)	*39	TF-TLN-5001	1	2" kingpin lock tester
19	XB-04473	1	Jam nut 1" - 14	*39A	TF-TLN-1500	1	3.5" kingpin lock tester
20	XB-2001	1	Socket head cap screw	40	XA-05768	1	Adjusting block
21	XB-HNH-58-C	1	Lock Nut 5/8" - 11				
	RK-65024		Lock repair kit (2")		RK-65012		Full overhaul kit (2")
	RK-65024-1		Lock repair kit (3.5")		RK-65013		Full overhaul kit (3.5")

* Not included in Rebuild Kits



SAF-HOLLAND GmbH
 Hauptstraße 26
 D-63856 Bessenbach, Germany
 Phone: +49 (0) 6095-301302
 Fax: +49 (0) 6095-301200

HOLLAND EUROHITCH Ltd.
 Hoo Farm Ind. Est. Worcester Rd.
 Kidderminster, Worcs. DY11 7RA, UK
 Phone: +44 (0) 1562-732010
 Fax: +44 (0) 1562-732020

HOLLAND EUROPE GmbH
 Altenkamp 9, D-33758
 Schloss Holte-Stukenbrock, Germany
 Phone: +49 (0) 5207-89560
 Fax: +49 (0) 5207-895656

Copyright © October 2007-SAF-HOLLAND. All information contained in this document is correct at time of copyright and is subject to change without notification all rights reserved