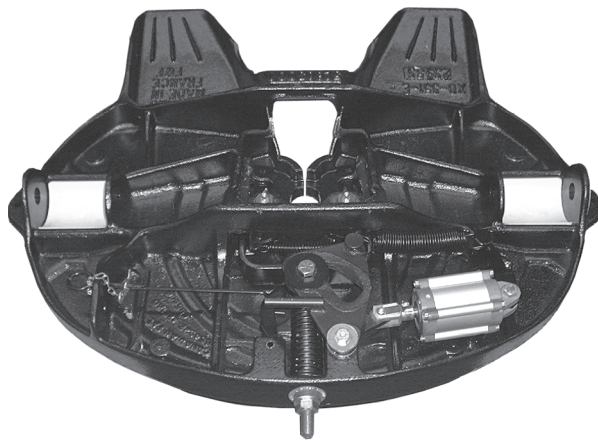




FW3510-88

FW3410-88

AIR OPERATED LOCK RELEASE



Optional Air Operated Opening of Locks for FW3510 and FW3410 Fifth Wheel

65000 kg Gross Combination Weight

20000 kg Vertical Load

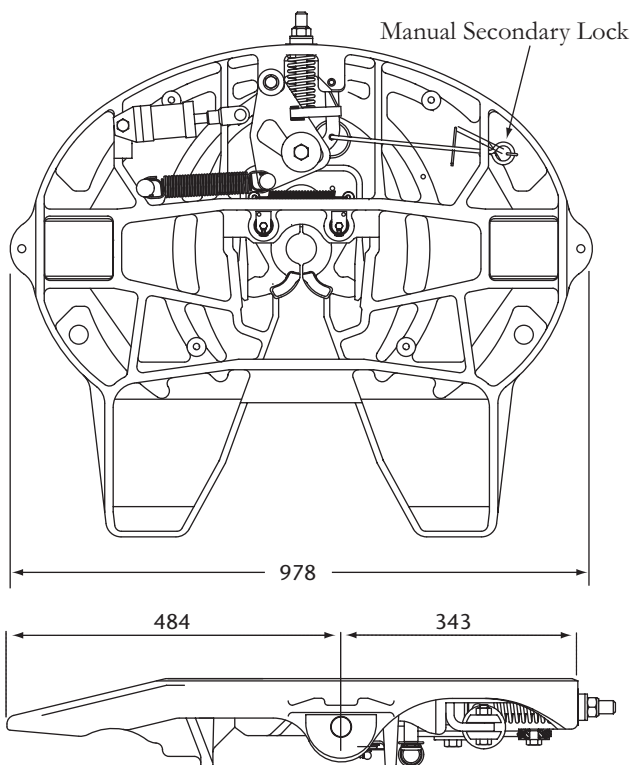
Type Approval e1*94/20*0812

D-Value 150 kN

FEATURES

- Air operated lock release mechanism which can be supplied with any FW3510 or FW3410 fifth wheel
- Enables locks to be opened remotely
- Fitted with manual secondary lock for use on the highway, therefore retaining full EC approval
- Suitable for use on standard ISO brackets, Weightsaver mounting or slider mount

DIMENSIONS



WARNING

The load limits given are valid for operation on paved roads and under conditions prevailing in Europe. For alternative conditions please consult Holland

Mounting must be carried out in accordance with Holland instructions

PART NUMBERS - top plate only

| Part Number | Type |
|--------------|------------------------|
| FW3510-TP-88 | Standard FW3510 |
| FW3410-TP-88 | Low-maintenance FW3410 |

To order complete fifth wheel assembly, use part number for standard product and add suffix -88

For example, air operated version of FW3510-160 (160mm high weightsaver) would be FW3510-160-88

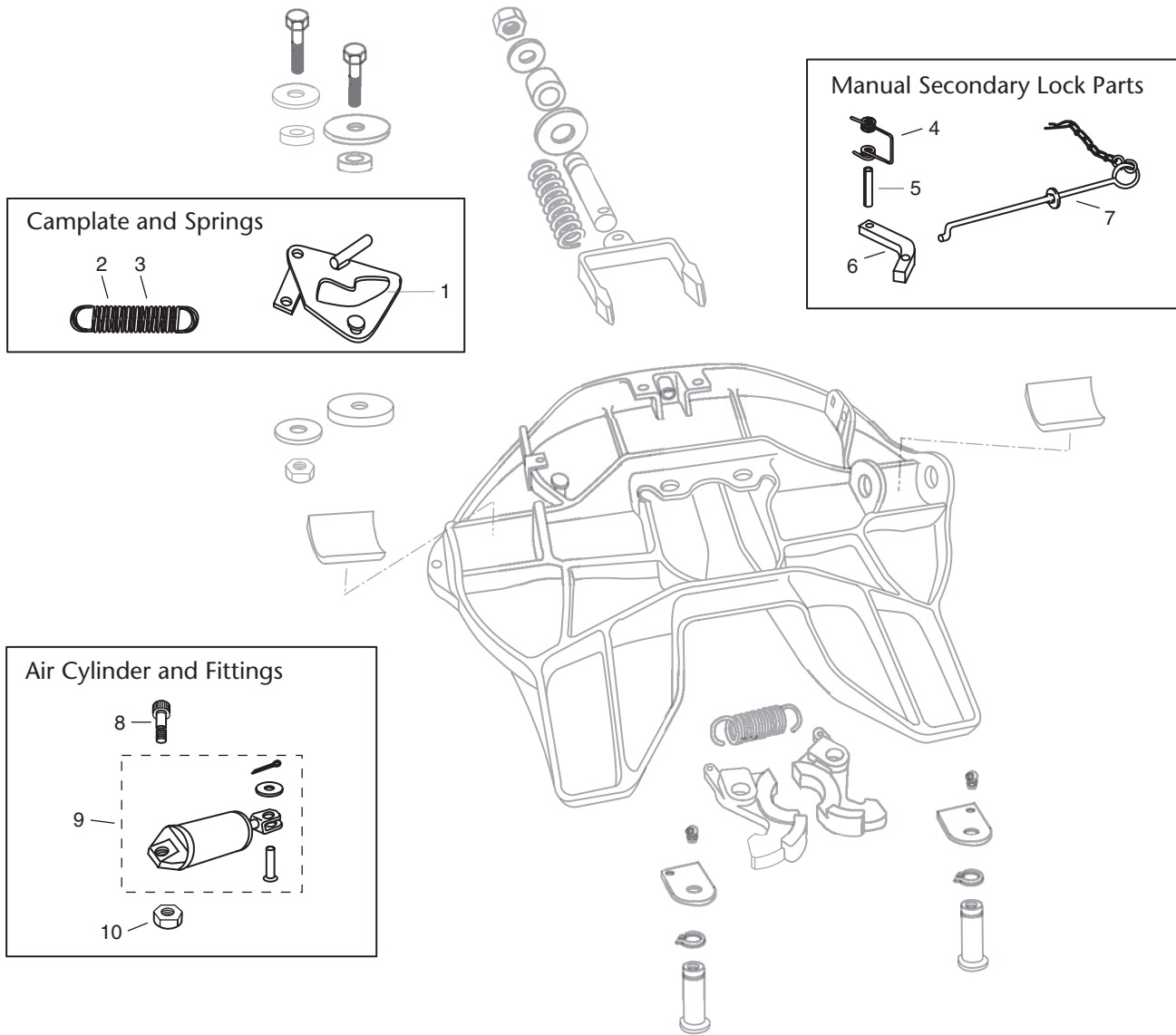
See specification sheets for FW3510 and FW3410 for part number information covering the full range



WARNING

The manual secondary lock **MUST** be engaged for all movements on the public highway

SPARE PARTS FOR AIR RELEASE AND MANUAL SECONDARY LOCK



| Item | Part No. | Qty | Description |
|------|------------------|-----|---------------------------|
| 1 | XA-10099 | 1 | Camplate |
| 2 | XB-10087-KTL | 1 | Spring - Inner |
| 3 | XB-10088-KTL | 1 | Spring - Outer |
| 4 | XB-2149-KTL | 1 | Spring |
| 5 | XB-21-S-500-2750 | 1 | Roll Pin |
| 6 | XA-3528-KTL | 1 | Secondary Lock Bar |
| 7 | XA-3546 | 1 | Handle - Secondary Lock |
| 8 | 31036 | 1 | Bolt |
| 9 | XA-3542-R-T | 1 | Air Cylinder Assembly |
| 10 | XB-HLN-M12-Z | 2 | Locknut (Alt. part 32001) |

All other components as for standard FW3510 / FW3410

See separate parts lists for full details

NOTE: Caution must be exercised when installing air control system to ensure that the system is interlocked to avoid inadvertent opening while driving on the road



SAF-HOLLAND GmbH
 Hauptstraße 26
 D-63856 Bessenbach, Germany
 Phone: +49 (0) 6095-301302
 Fax: +49 (0) 6095-301200

HOLLAND EUROHITCH Ltd.
 Hoo Farm Ind. Est. Worcester Rd.
 Kidderminster, Worcs. DY11 7RA, UK
 Phone: +44 (0) 1562-732010
 Fax: +44 (0) 1562-732020

HOLLAND EUROPE GmbH
 Altenkamp 9, D-33758
 Schloss Holte-Stukenbrock, Germany
 Phone: +49 (0) 5207-89560
 Fax: +49 (0) 5207-895656