



FW3510-TR

FW3510-TR SPECIFICATIONS



Fifth Wheel for Terminal Tractors

For ratings and capacities see specification tables below

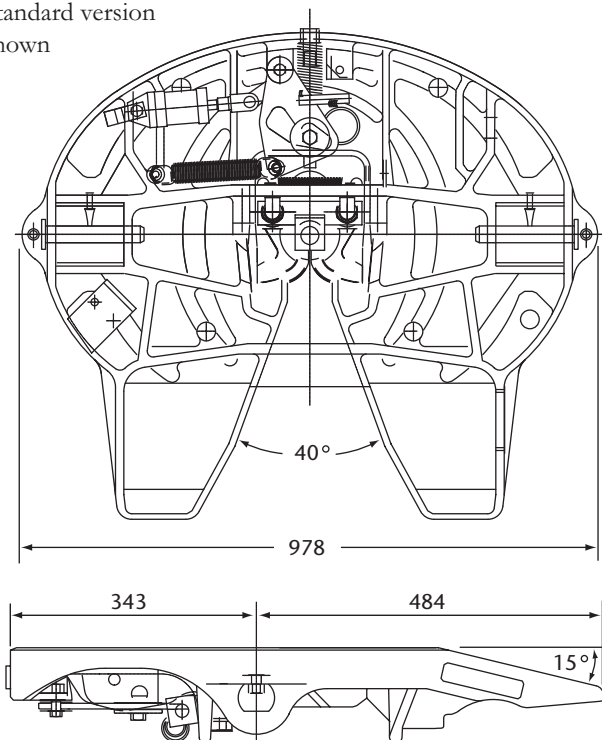
Type approved to 94/20/EG when fitted with optional manual secondary lock

FEATURES

- High strength cast steel construction - permitted operating temperature to - 40 degrees C
- Top surface machined to improve wear, steering and fit with Trailer Plate. Patented grease groove pattern for improved wear and durability and prepared for central lubrication system
- Air operated lock release mechanism
- Locks require only 140 kg to couple
- Available with brackets for electronic sensors to indicate locks closed

DIMENSIONS

Standard version shown



SPECIFICATION - standard version

Part Number	Weight	GCW	Vertical Load	Max. Speed
FW3510-TR	120 kg	100000 kg	36000 kg	35 km/h



WARNING

The load limits given are valid for operation with speed limited to 35 km/h maximum and for use on well maintained roadways and yards within distribution depots and dockyard areas. Mounting must be carried out in accordance with Holland instructions. This unit is **not** intended for use on public highways

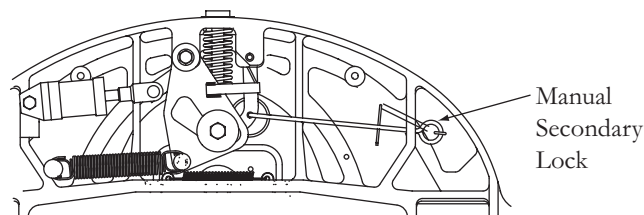
SPECIFICATION - with optional manual secondary lock

For use when occasional, short movements of the vehicle on the public highway are required

Part Number	Weight	D-Value	Vertical Load
FW3510-TR-EG	121 kg	150 kN	20000 kg

EC approved 94/20/EG

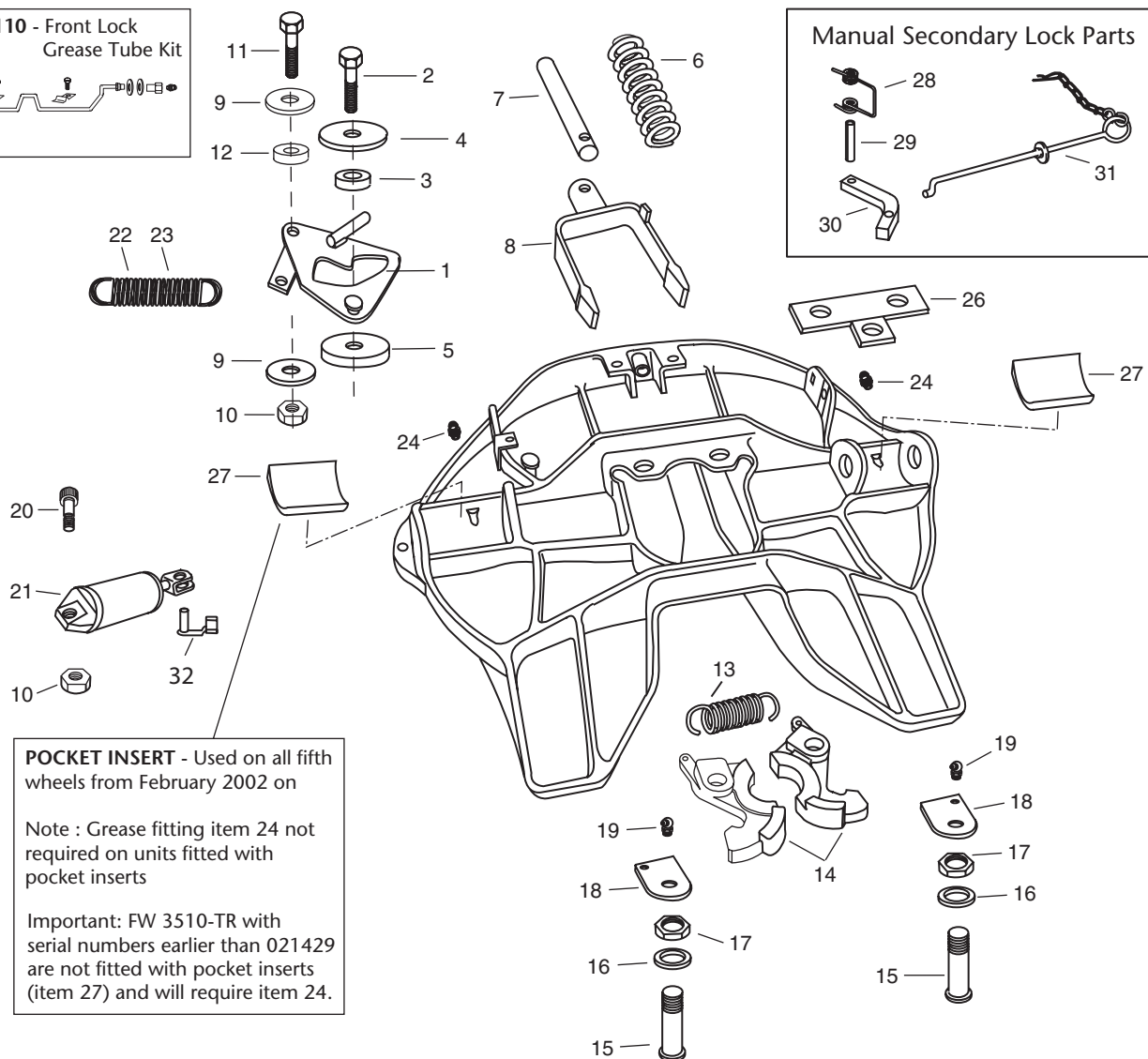
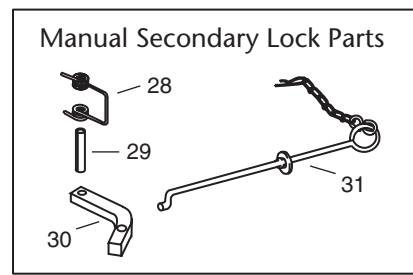
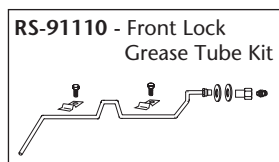
Type Approval No. e1*94/20*0812



WARNING

The manual secondary lock **MUST** be engaged for all movements on the public highway

FW3510-TR FIFTH WHEEL - SPARE PARTS



POCKET INSERT - Used on all fifth wheels from February 2002 on

Note : Grease fitting item 24 not required on units fitted with pocket inserts

Important: FW 3510-TR with serial numbers earlier than 021429 are not fitted with pocket inserts (item 27) and will require item 24.

Item	Part No.	Qty	Description	Item	Part No.	Qty	Description
1	* XA-10099	1	Camplate	17	* ^ 32027	2	Hex nut
2	* XB-10035	1	Bolt	18	* XA-10096	2	Cable tab (brass)
3	* XA-1507-1	1	Roller	19	* ^ 38026	2	45 degree lube fitting
4	* XB-07431-KTL	1	Washer	20	* 31036	1	Bolt
5	* XA-09040-KTL	1	Camplate Spacer	21	* XA-3542-R-T	1	Air Cylinder Assembly
6	* XB-1505-KTL	1	Yoke Spring	22	* XB-10087-KTL	1	Extension Spring - Inner
7	* XA-1706-1	1	Yoke Shaft	23	* XB-10088-KTL	1	Extension Spring - Outer
8	* XA-10094	1	Yoke	24	* 38009	2	Lube Fitting
9	* XB-76004	2	Washer	25	* XB-02967	1	Never-Seez Lube (not shown)
10	* XB-HLN-M12-Z	2	Locknut (Alt. part 32001)	26	XA-76020-KTL	1	Sensor Bracket
11	* 31039	1	Bolt	27	XB-10210	2	Pocket Insert
12	* XA-1029	1	Roller	28	XB-2149-KTL	1	Spring
13	* XB-07628-KTL	1	Spring	29	XB-21-S-500-2750	1	Roll Pin
14	* ^ XA-07296-KTL	1	Lock Set	30	XA-3528-KTL	1	Secondary Lock Bar
15	* ^ XA-E-60043	2	Lock Pin	31	XA-3546	1	Handle - Secondary Lock
16	* ^ 33027	1	Washer	32	XB-76022	1	Air cylinder clevis
* RK-3510-TR			Full Overhaul Kit, does not include items 26-31				
* RK-3510-TR-2			Overhaul kit excluding air cylinder, parts as for RK-3510-TR except does not include items 10, 20 and 21				
^ RS-91103			Lock repair kit, includes items 14, 15, 16, 17 and 19				
* RS-91110			Front Lock Grease Tube Kit				



SAF-HOLLAND GmbH
 Hauptstraße 26
 D-63856 Bessenbach, Germany
 Phone: +49 (0) 6095-301302
 Fax: +49 (0) 6095-301200

HOLLAND EUROHITCH Ltd.
 Hoo Farm Ind. Est. Worcester Rd.
 Kidderminster, Worcs. DY11 7RA, UK
 Phone: +44 (0) 1562-732010
 Fax: +44 (0) 1562-732020

HOLLAND EUROPE GmbH
 Altenkamp 9, D-33758
 Schloss Holte-Stukenbrock, Germany
 Phone: +49 (0) 5207-89560
 Fax: +49 (0) 5207-895656