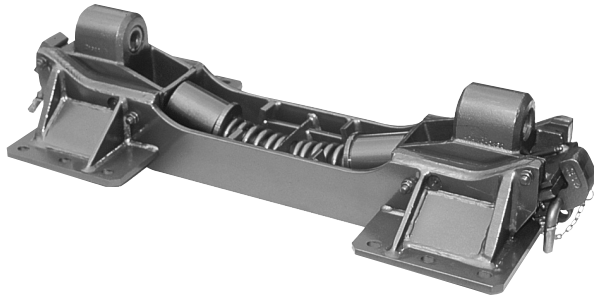




# FW3540 FW3440

## FW3540+FW3440 SPECIFICATIONS



### 2" Kompensator® Fifth Wheel

20000 kg Maximum Vertical Load  
150 kN D-Value without Rear axle steering  
135 kN D-Value with Rear axle steering

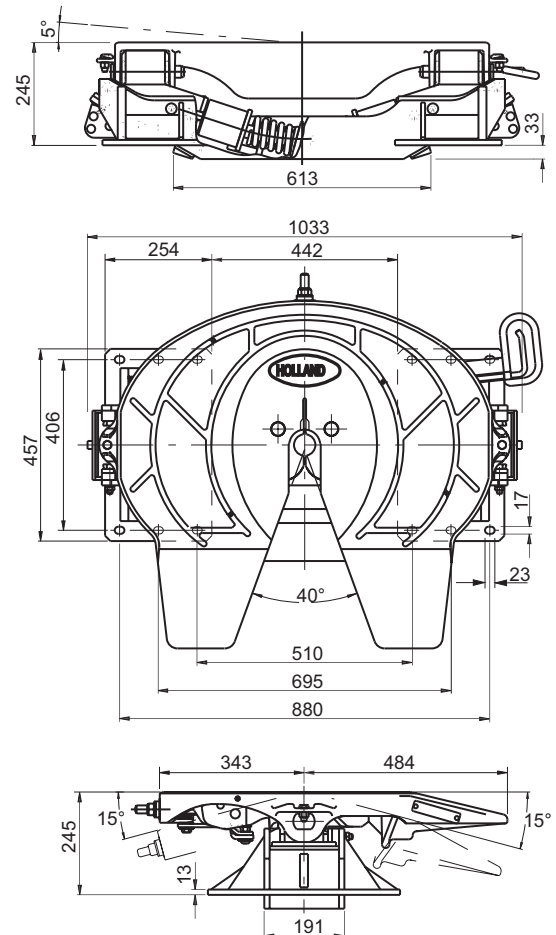
EC approved 94/20/EG

Type Approval No.:

e1\*94/20\*0200

### FEATURES OF THE FW3540/FW3440

- Patented construction for applications where torsional relief between tractor / trailer is desired, e.g. tank trailers
- Considerable stress reduction in the trailer plate, cargo tank and in the tractor frame
- Incorporates the rugged cast steel top plate from the high strength FW3510/FW3410 Fifth Wheel for long life and durability
- The FW3540/FW3440 Fifth Wheel improves stability, axle-weight distribution and tyre life
- This Fifth Wheel is recommended for use where trailer centre of gravity is at or below a maximum of 1 m above the Fifth Wheel top surface
- With a D-Value of 135 kN suitable for all types of rear axle steering.
- Manufactured in accordance with DIN 74081 and ISO 3842 standards



**WARNING**

Mounting must be carried out in accordance with Holland instructions.

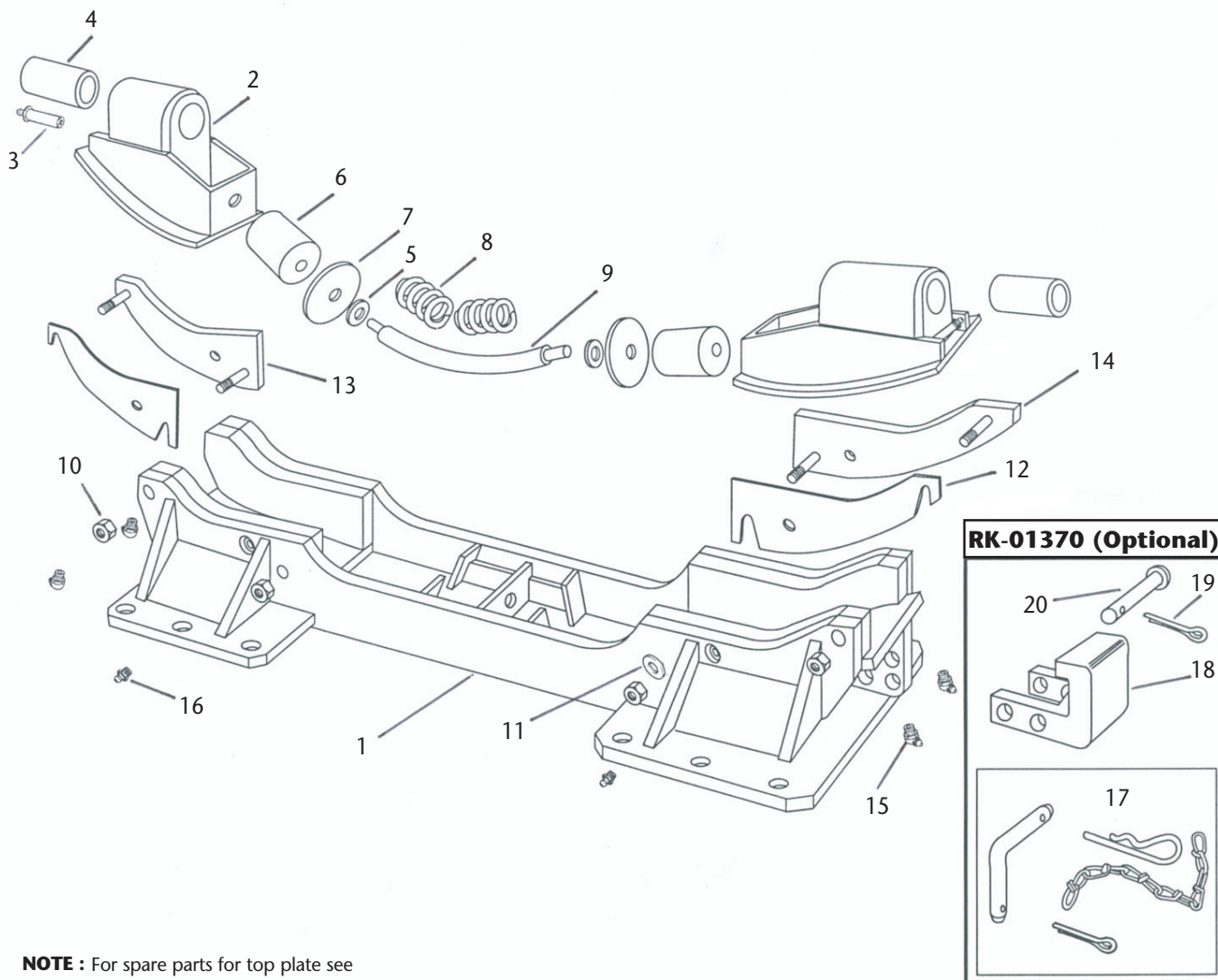
The load limits given are valid for operation on paved roads and under conditions prevailing in Europe. For alternative conditions please consult Holland

Part Number	Height	Weight	Gross Combination Weight	Vertical Load	D-Value	Type Approval
FW3540-B	245 mm	210 kg	65000 kg	20000 kg	150 kN	e1*94/20*0200
FW3540-B (with rear axle steering)	245 mm	210 kg	65000 kg	20000 kg	135 kN	
FW3440-B <sup>1</sup>	245 mm	210 kg	65000 kg	20000 kg	150 kN	
FW3440-B <sup>1</sup> (with rear axle steering)	245 mm	210 kg	65000 kg	20000 kg	135 kN	

<sup>1</sup> With top plate from low maintenance FW3410 fifth wheel

Holland reserves the right, without prior notice, to change specifications and dimensions.

# KOMPENSATOR® SUB-ASSEMBLY - PARTS BREAKDOWN



**NOTE :** For spare parts for top plate see Fifth Wheel FW3510 or FW3410

Item	Part No.	Qty.	Description	Item	Part No.	Qty.	Description
	<b>XA-40-7743-1</b>		<b>Kompensator® Frame cpl.</b>	12	XA-0014	2	Shim (as required)
1	XA-45-7743-1	1	Kompensator® Frame	13	XA-01998	1	Bearing Plate – Right Hand
2	XA-0024	2	Shoe Subassembly – incl. part no. 3	14	XA-01997	1	Bearing Plate – Left Hand
3	XB-H-38-F	2	Grease Fitting	15	XB-H-38-C	4	45° Grease Fitting
4	XB-0011	2	Rubber Cushion	16	XB-H-38	4	Grease Fitting
5 ^	XB-PW-1316-112	2	Washer	17 *	XA-01429	2	"L" Pin Subassembly
6	XB-0009	2	Cushion	18 *	XA-01427	2	Lockout Stop
7	XA-1284-2	2	Washer	19 *	XB-382	2	Cotter Pin .19" x 1,25"
8	XB-01923	2	Compression Spring	20 *	XB-847	2	Shackle Pin
9	XA-39	1	Tie Bar	21 <sup>1</sup>	XA-0128-L	1	Dust Cover - Left Hand
10	XB-C-59	4	Hex Lock Nut ½" -13	22 <sup>1</sup>	XA-0128-R	1	Dust Cover - Right Hand
11	XB-T-45-1	4	Lock Washer ½"				
^ Not fitted on later units				* Parts are included with Kompensator® Lockout Kit RK-01370 <sup>1</sup> Optional - not shown			



**SAF-HOLLAND GmbH**  
Hauptstraße 26  
D-63856 Bessenbach, Germany  
Phone: +49 (0) 6095-301302  
Fax: +49 (0) 6095-301200

**HOLLAND EUROHITCH Ltd.**  
Hoo Farm Ind. Est. Worcester Rd.  
Kidderminster, Worcs. DY11 7RA, UK  
Phone: +44 (0) 1562-732010  
Fax: +44 (0) 1562-732020

**HOLLAND EUROPE GmbH**  
Altenkamp 9, D-33758  
Schloss Holte-Stukenbrock, Germany  
Phone: +49 (0) 5207-89560  
Fax: +49 (0) 5207-895656

Copyright © October 2007-SAF-HOLLAND. All information contained in this document is correct at time of copyright and is subject to change without notification all rights reserved