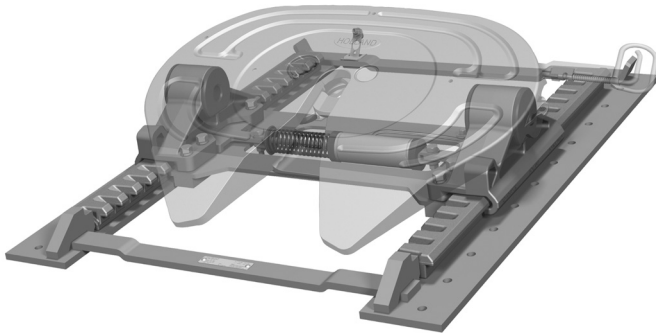




# SLIDERS

## ILS SERIES SPECIFICATIONS



### Sliding Fifth Wheel Sub-Assembly

65000 kg Gross Combination Weight

20000 kg Vertical Load

Type Approval e11\*94/20\*0056\*00

D-value 150 kN

Weight from 195 kg complete with top plate (FW17E-12D)

### FEATURES

- Available for all Holland standard fifth wheel top plates FW17E, FW17EK, FW3510 and FW3110
- Standard travel lengths of 610mm and 1220mm, travel lengths of 915mm and 1525mm available to special order



### WARNING

Mounting must be carried out in accordance with Holland instructions

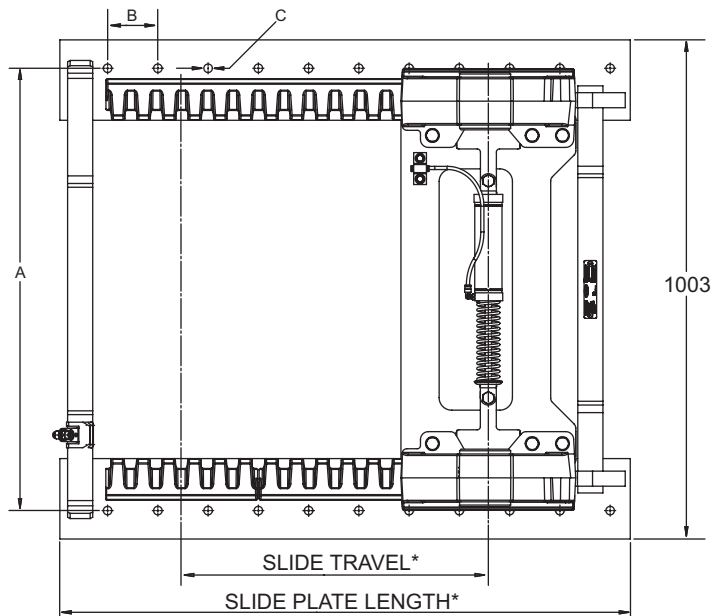


### WARNING

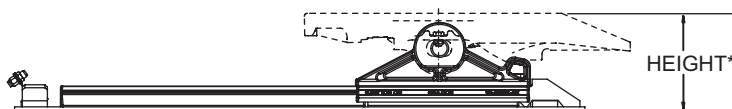
The load limits given are valid for operation on paved roads and under conditions prevailing in Europe. For alternative conditions please consult Holland

- Air release standard on all models
- Fifth wheel position adjustable in 50.8mm increments
- Supplied pre-drilled for bolting directly to tractor unit mounting angles

Drilling Information:  
Hole Centres 'A'  
Hole Spacing 'B'  
Hole Size 'C'  
available to suit  
OEM chassis  
mounting angles



\* Dimensions  
See tables on  
back page for  
details



Holland reserves the right, without prior notice, to change specifications and dimensions

## PART NUMBER GUIDE

Part number for complete sliding fifth wheel assemblies

# FW 17E - 22U

**Note:** For all air operated sliding fifth wheel assemblies also order air control kit **RK-2500-10A**

Fifth Wheel Type	
FW17E	17E
FW17EK	17EK
FW3510	3510
FW3110	3110

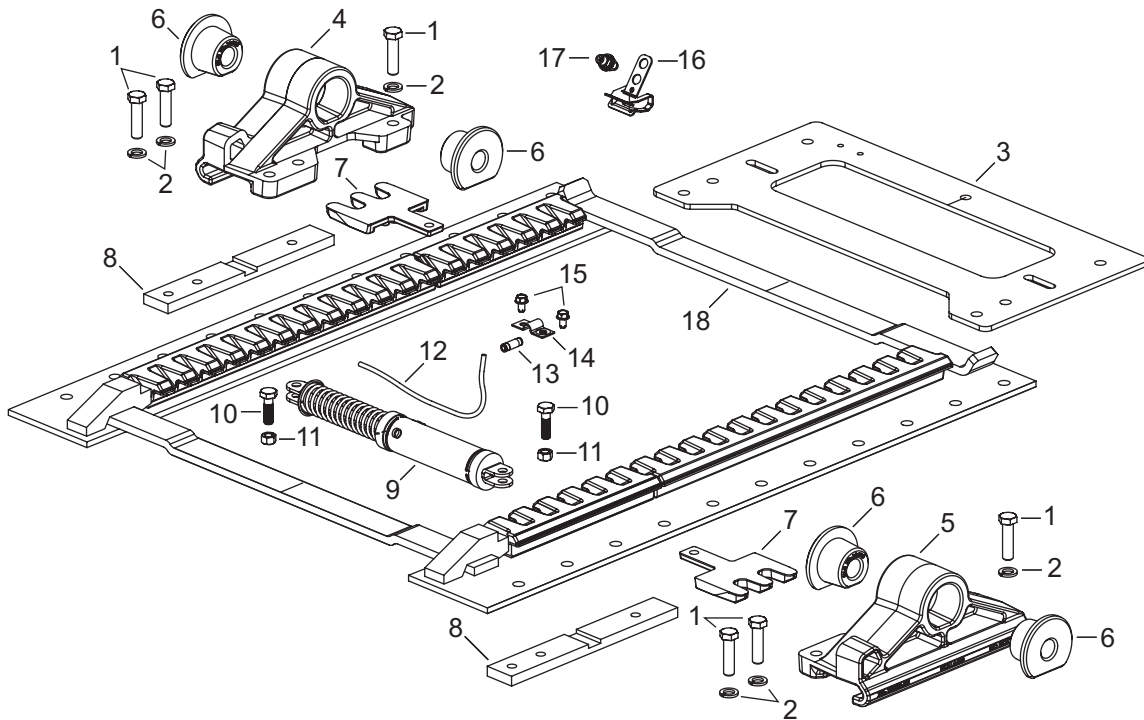
Drilling Pattern	
U	Undrilled
*	Another Letter indicates OEM specific hole pattern - Contact Holland for details

Height Code	Actual Height for Model Type*			
	FW17E	FW17EK	FW3510	FW3110
1	177	185	173	182
2	202	210	198	207
3	228	236	223	233

Length Code	Travel Length*	Slide Plate Length*
2	610	1135
3	915	1440
4	1220	1745
5	1525	2050

\* All dimensions in millimetres

## ILS SERIES SLIDER SUB-ASSEMBLY - SPARE PARTS



Item	Part No.	Qty	Description	Item	Part No.	Qty	Description
1	XB-HCS-M16-60-Z	6	Bracket Bolts M16 x 60	10	XB-2083	2	Bolt
2	XB-LW-M16-A	6	Lock Washer	11	XB-T-69-A	2	Locknut
3	XA-10606-1	1	Slide Bracket Plate	12	XB-10809	1	Air Line Tubing
4	XD-10689-1L	1	Slide Bracket LH - Low	13	XB-10815	1	Push-in Connector
	XD-10689-2L	1	Slide Bracket LH - Medium	14	XB-10816	1	Air Line Clamp
	XD-10689-3L	1	Slide Bracket LH - High	15	XB-10814	2	Thread Cutting Screw
5	XD-10689-1R	1	Slide Bracket RH - Low	16	XA-10736	1	Air Line Stand-off Clip
	XD-10689-2R	1	Slide Bracket RH - Medium	17	XB-10748	1	Quick-connect Union
	XD-10689-3R	1	Slide Bracket RH - High	18	XA-E-2*	1	Slide Plate - 610mm travel
6	XB-10605	4	Bracket Bushes		XA-E-3*	1	Slide Plate - 915mm travel
7	XA-10604-1	2	Locking Plunger		XA-E-4*	1	Slide Plate - 1220mm travel
8	XA-10711-1	2	Stop Block		XA-E-5*	1	Slide Plate - 1525mm travel
9	XA-10700	1	Air Cylinder				

\* Designation for OEM specific hole spacing



**SAF-HOLLAND GmbH**  
Hauptstraße 26  
D-63856 Bessenbach, Germany  
Phone: +49 (0) 6095-301302  
Fax: +49 (0) 6095-301200

**HOLLAND EUROHITCH Ltd.**  
Hoo Farm Ind. Est. Worcester Rd.  
Kidderminster, Worcs. DY11 7RA, UK  
Phone: +44 (0) 1562-732010  
Fax: +44 (0) 1562-732020

**HOLLAND EUROPE GmbH**  
Altenkamp 9, D-33758  
Schloss Holte-Stukenbrock, Germany  
Phone: +49 (0) 5207-89560  
Fax: +49 (0) 5207-895656

Copyright © October 2007-SAF-HOLLAND. All information contained in this document is correct at time of copyright and is subject to change without notification all rights reserved