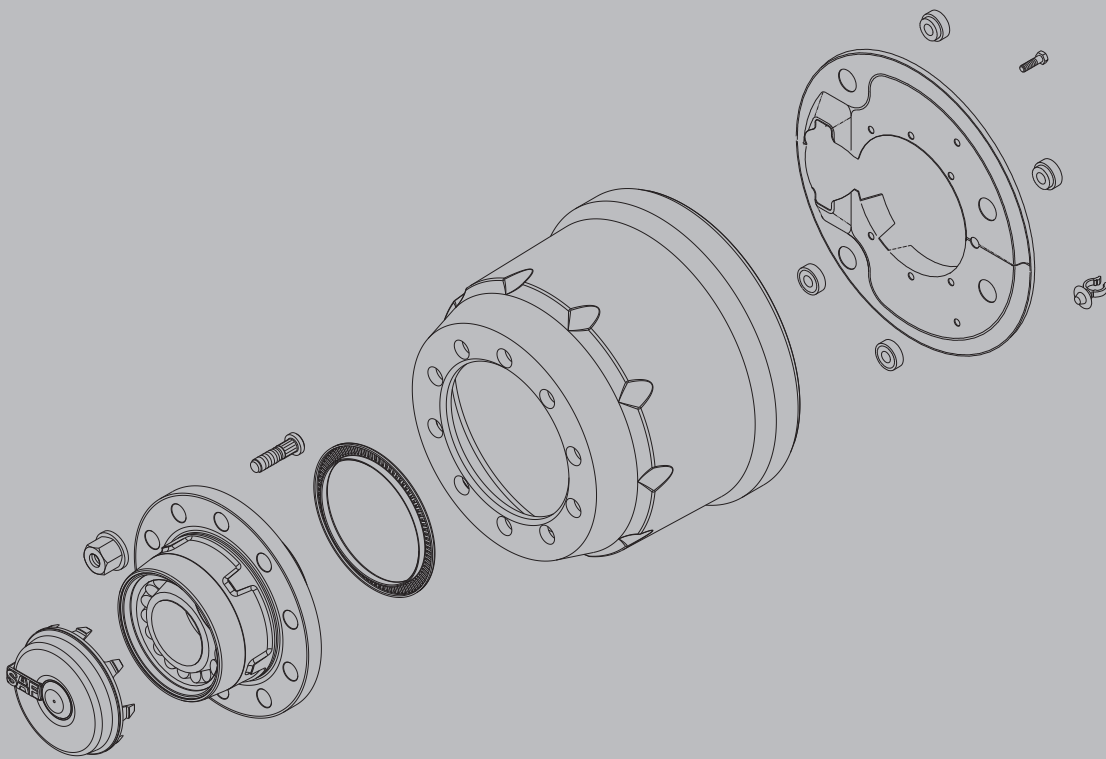


Spares Manual for SAF Axles and Suspensions Assemblies



Manufacturer

Address

Body type

Chassis no

Year of manufacture

Registration date

Product identification

Axle & suspension identification	1-2
Coding & identification	3

Disc-Brake Axles

ZI9-19W axle - (Wabco Caliper <i>INTEGRAL</i> rotor)	5-6
SKRZ9019W axle - (Wabco Caliper)	7-8
SKRZ9019K axle - (Knorr-Bremse Caliper)	9-10
SKRZ9022K axle - (Knorr-Bremse Caliper)	11-12
SKRB9019W Intradisc axle - <i>INTEGRAL</i> - (Wabco Caliper)	13-14
SKRLB9019W Intradisc steer axle - <i>INTEGRAL</i> - (Wabco Caliper)	15-16
SKRB9022K Intradisc axle - <i>INTEGRAL</i> - (Knorr-Bremse Caliper)	17-18
SKRLB9022K Intradisc axle - <i>INTEGRAL</i> - (Knorr-Bremse Caliper)	19-20

Drum-Brake Axles

Z9-4218 NG axle (used on Intradrum)	21-22
Z11-3020 NG axle	23-24
ZL11-3020 NG axle	25-26
SKRZ9042 axle	27-28
SKRZ9037 axle (after 15.02.98)	29-30
SKRZ9037 axle (before 14.02.98)	31-32
SKRZ9030 axle	33-34
SKRZ12342/18 axle	35-36

Suspensions

Intra suspension range - Intradisc / Intradrum (IO - Overslung / IU - Underslung) ...	38-40
MODUL suspension (M - Overslung)	41-42
MODUL suspension (U - Underslung)	43-44
AR313 Tag axle MODUL suspension	45-46

J-Series Axles

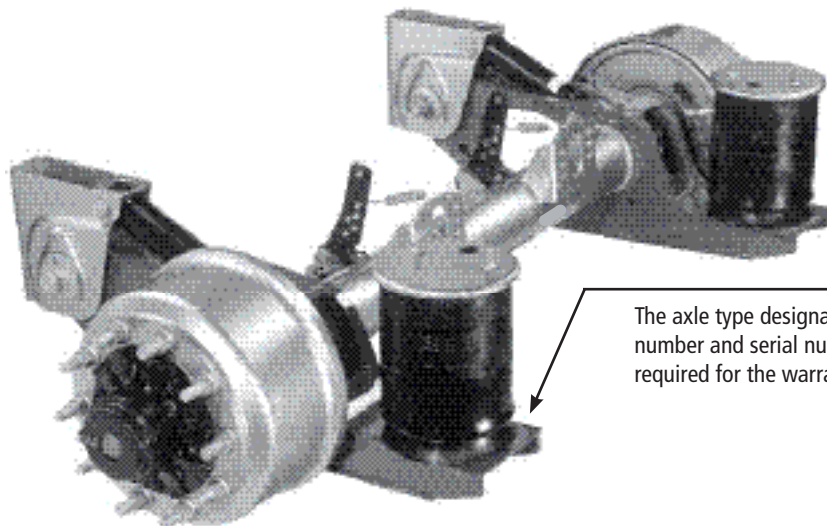
RZ 12242/18C & RZ 10242/18C axles - K2 Hub (10x285.75PCD)	47-49
RZ 12242/18C & RZ 10242/18C axles - K2 Hub (10x335PCD)	50-52
RZT 12242/18C & RZT 10242/18C axles - K2 Hub (5 spoke).....	53-55
RZ 12242/18C axle - Std. Hub (10x285.75PCD).....	56-58
RZ 12242/18C axle - Std. Hub (10x335PCD).....	59-61
RZT 12242/18C axle - Std. Hub (5 Spoke)	62-64

Tools	66
--------------------	----

Conditions of sale	67-68
---------------------------------	-------

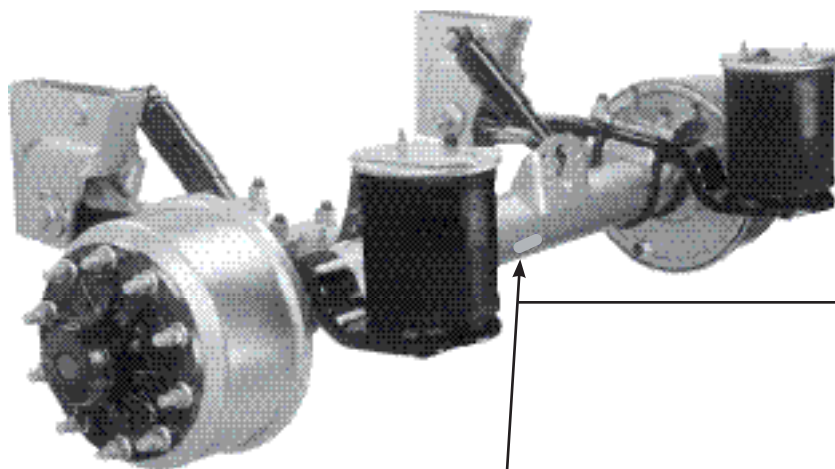
Warranty	69-72
-----------------------	-------

Air suspension system, Type INTRA

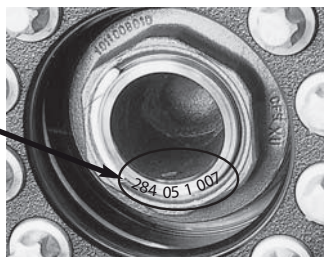


The axle type designation (Version), identification number and serial number (see type plate) are required for the warranty procedure.

Air suspension system, Type Modul



SAF-HOLLAND GMBH D-63856 BESSENBACH - GERMANY		SAF Holland	
Version S9-4218	Serial No. 284 05 1 007		
Type SNK4218-11S	Ident No. 147 84 60 2 58 0		
Test Report TDB0381	Perm axle cap. stat. 9000 kg		
	V max. 105 km/h		
AN 1754524		SN 284051007	



Identification if the type plate is missing:
The Serial No. of the axle is embossed in the axle end on the right-hand side (as seen in the direction of travel).

When ordering spare parts quote correct axle identification & serial no., refer to the axle type plate.
Please provide the following information from the type plate (as below) to ensure correct parts are ordered.

- ① Axle type (example: "SKRZ 9019W", "SKRLB 9022KI" or "Z9-4218" etc.)
- ② Ident No. (example: "147 83 25 7 6 69 0" or "171 91 50 7 49 1" etc.)
- ③ Serial No. (example: "167 06 3 648" etc.)

Type plate from mid-2004

OTTO SAUER ACHSENFABRIK GMBH D-63856 BESSENBACH · GERMANY		SAF	
Type SKRB9022W	Serial No. 229 04 3 229		
Basis Type SBW2243-11S	Ident No. 247 96 38 7 48		
Test Report 36110702	Perm. axle cap. stat. 9000 kg		
	V max. 105 km/h		
AN 1280397		SN 229043229	

Type plate up to mid-2004

SAF OTTO SAUER ACHSENFABRIK KEILBERG D-63854 BESSENBACH / G E R M A N Y			
TYP			
Ident.-No. /Prod.-No.			
zul. Last kg perm. cap. charge adm.	STAT. TECH.	v max. km/h max. speed vitesse maxi.	
TDB-No.	Grundtyp		

Axle serial number code (up to July 2009)

The serial number looks like this:

DDDYXNNN

DDD = Production day

YY = Production year

X = Site

NNN = Running number per day, year and site

Axle serial number code (from July 2009)

The serial number looks like this:

XX YY DDD NNNN

XX = Site

YY = Production year

DDD = Production day

NNN = Running number per day

SAF-HOLLAND GMBH D-63856 BESSENBACH · GERMANY		SAF Holland	
Version B9-22K01	Serial No. 11 09 156 0020		
Type SBK2243-11S	Ident No. 347 96 21 7 49 01		
Test Report 36110303	Perm. axle cap. stat. 9000 kg		
Made in Germany	V max. 105 km/h		
AN 3335528		SN 11091560020	

SAF "SKR...: axle type codes

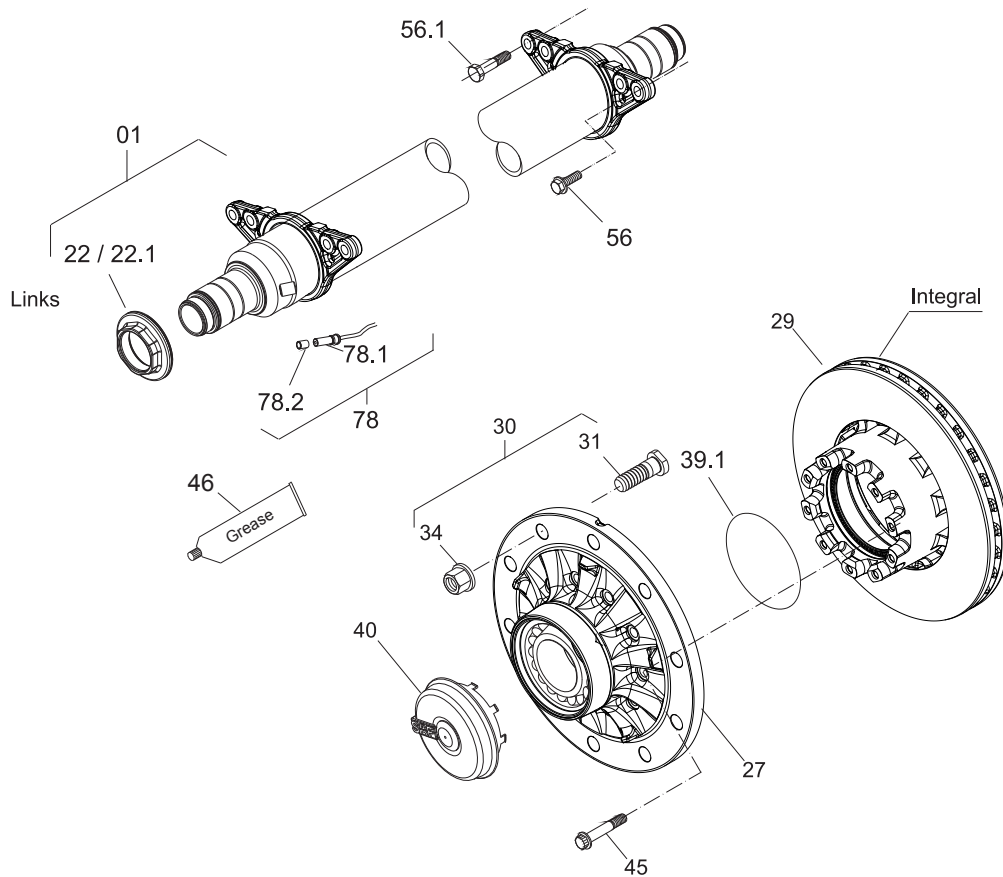
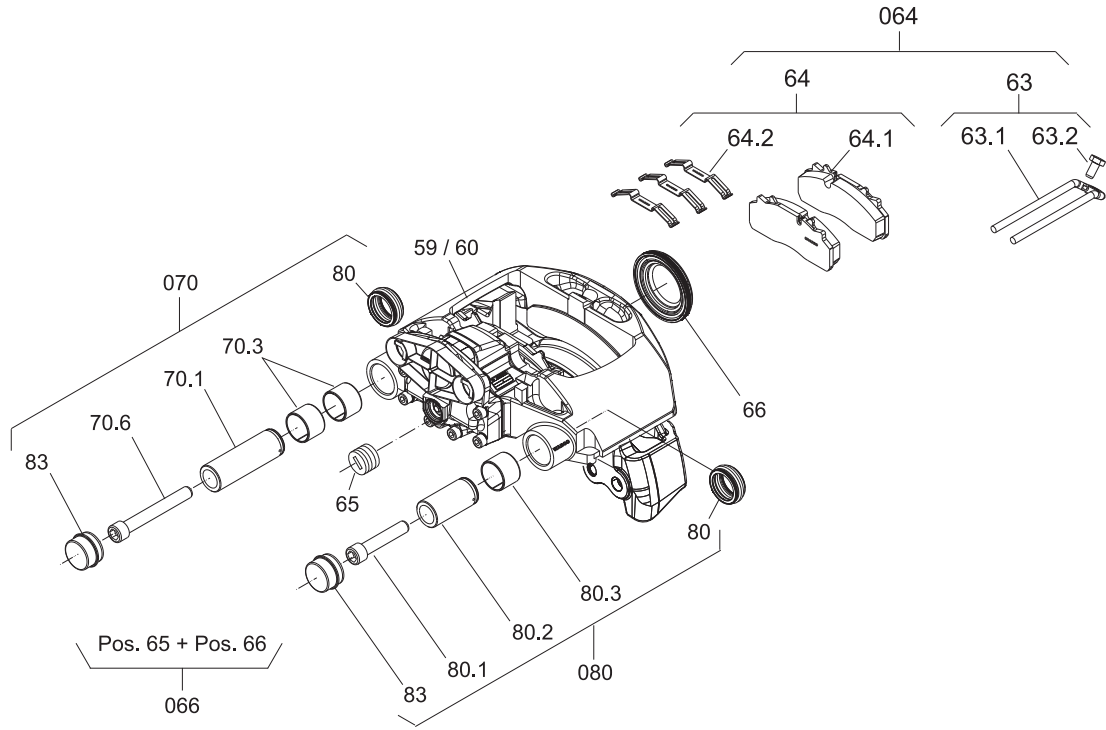
XXXXX 0000XX	Axle type/generation	SKR	= Super Compact Bearings Round Axle
XXXXX 0000XX	Axle type	(-)	= Rigid axle
		L	= Self-steer axle
XXXXX 0000XX	Tyres/wheels	S	= Single wheels without offset
		B	= Single wheels with offset
		Z	= Twin wheels
XXXXX 00 00XX	Axle load capacity	90	= 9 tonnes load capacity
		11	= 11 tonnes load capacity
XXXXX 00 00 XX	Brake size	30	= Drum diameter 300 mm
		37	= Drum diameter 367 mm
		42	= Drum diameter 420 mm
		19	= Disc brake for 19.5" tyres (Rotor dia. 377 mm)
		22	= Disc brake for 22.5" tyres (Rotor dia. 430 mm)
XXXXX 0000 XX	Additional information	W	= Wabco caliper classic disc brake rotor
		WI	= Wabco caliper <i>INTEGRAL</i> disc brake rotor
		K	= Knorr caliper classic disc brake rotor
		KI	= Knorr caliper <i>INTEGRAL</i> disc brake rotor

New type codes for the new axle generation with disc brakes

XXX0-0X0	Tyres / wheels	S	= Single wheels without offset
		B	= Single wheels with offset
		Z	= Twin wheels
XX0-0X0	Type of brake disc	I	= <i>INTEGRAL</i> technology
		(-)	= Conventional brake disc
XXX0-0X0	Type of axle	(-)	= Rigid axles
		NL	= Self-steering axles
		VL	= Self-steering axles
		ZL	= Steering axles, twin wheels
XXX0-0X0	Axle load	9	= 9 tonnes axle load
		11	= 11 tonnes axle load
XXX0-0X0	Brake size	19	= 19.5" disc brake
		22	= 22.5" disc brake
XXX0-0X0	Brake manufacturer	K	= KNORR
		W	= WABCO
XXX0-0X0	Brake generation	(-)	
		01	
		...	

New type codes for the new axle generation with drum brakes

XX0-00	Tyres / wheels	S	= Single wheels without offset
		B	= Single wheels with offset
		Z	= Twin wheels
XX0-00	Type of axle	(-)	= Rigid axles
		L	= Self-steering axles
		ZL	= Steering axles, twin wheels
XX0-00	Axle load	9	= 9 tonnes axle load
		11	= 11 tonnes axle load
XX0-00	Drum diameter	30	= 300 mm
		37	= 367 mm
		42	= 420 mm
XX0-00	Brake shoe width	15	= 150 mm
		18	= 180 mm
		20	= 200 mm

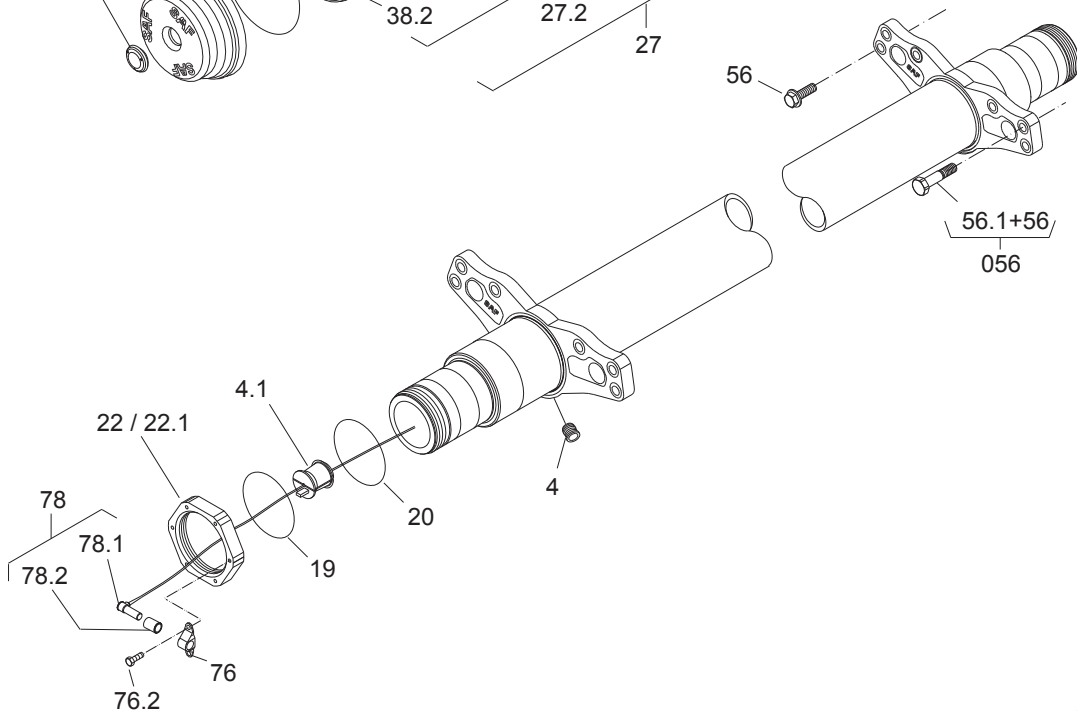
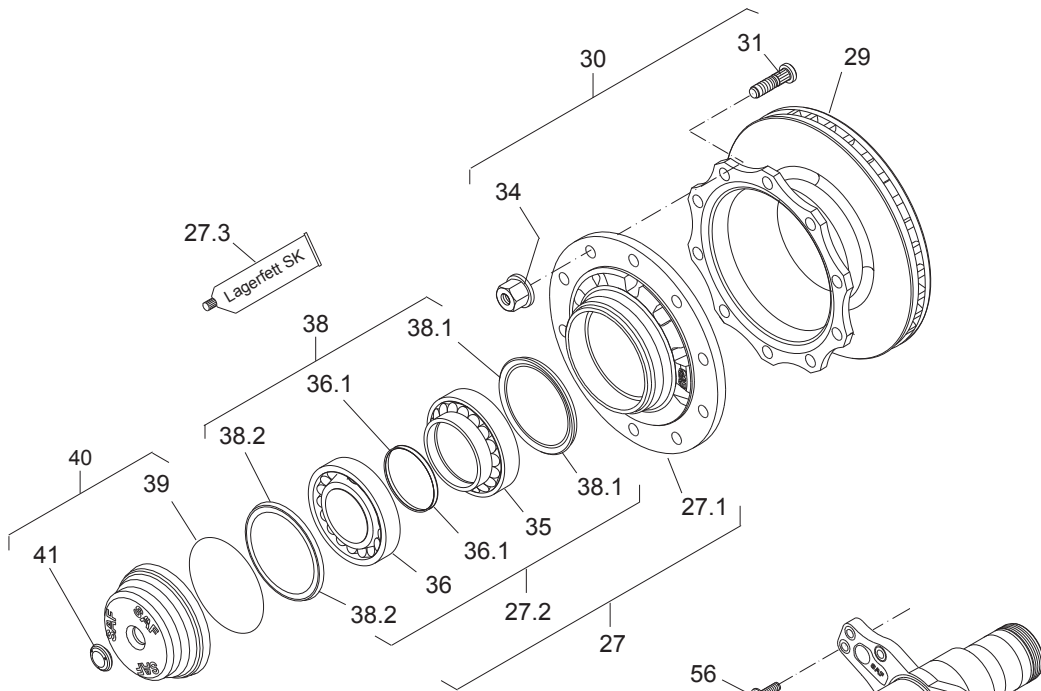
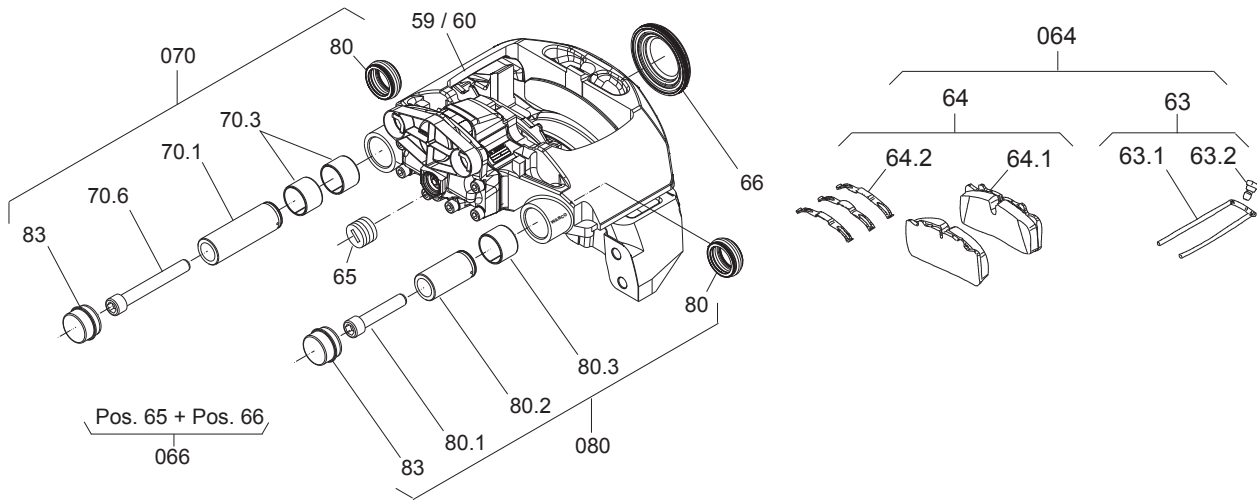


ZI9-19W Intradisc *INTEGRAL* axle

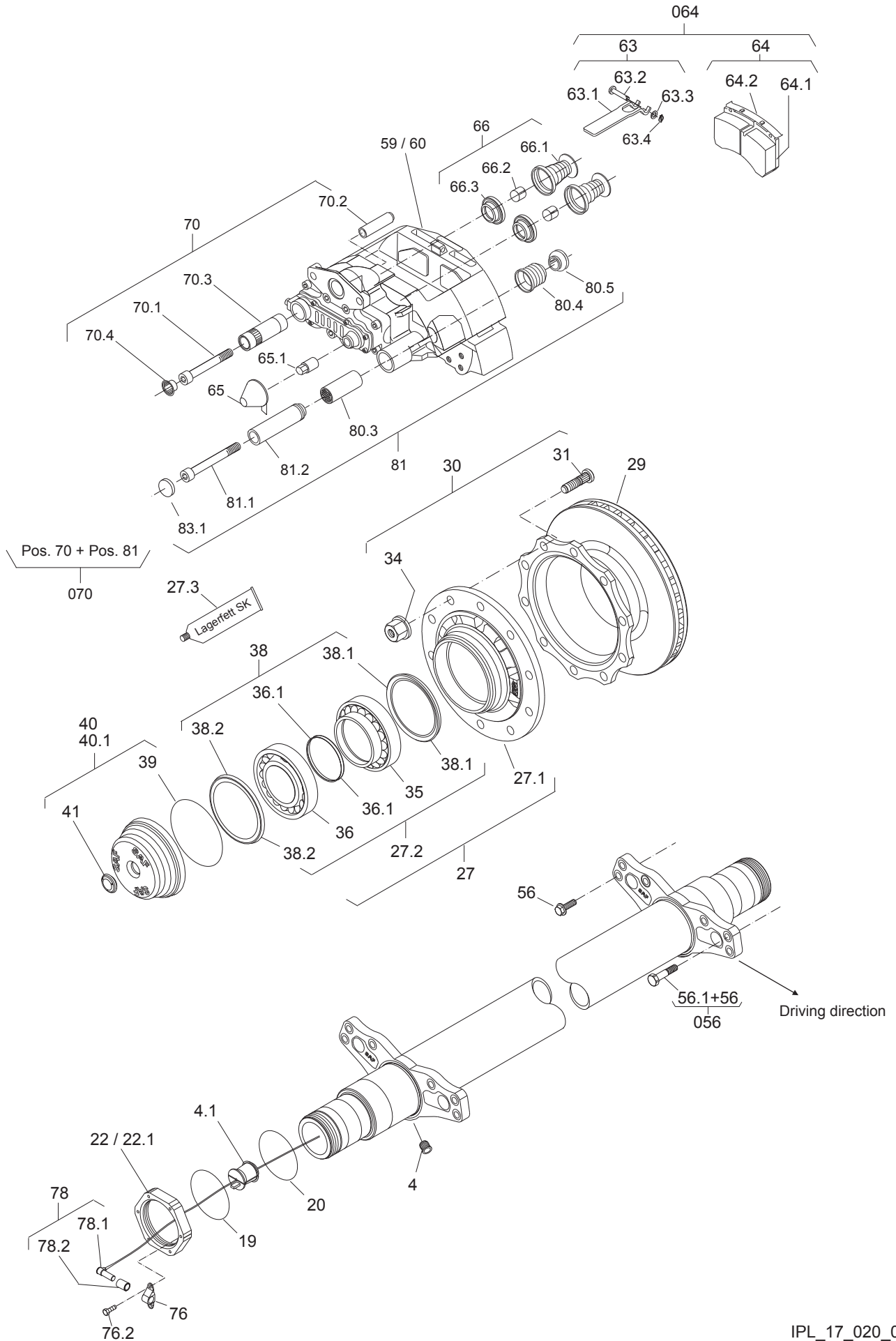
(Wabco caliper *INTEGRAL* rotor - dual wheels)

SAF *Holland*

Item	Part Number	Qty	Description
1	See type plate	1	Axle beam assembly (See Ident. No. on the type plate)
22	1 011 0086 00	1	Axle nut RH - M75x1.5/SW85 (without groove)
22.1	1 011 0085 00	1	Axle nut LH - M75x1.5/SW85 (with groove)
27	3 307 3049 00	2	Hub unit - INTEGRAL - 10x285.75PCD
27	3 307 3048 00	2	Hub unit - INTEGRAL - 8x275PCD
27	3 307 3055 00	1	Hub unit - INTEGRAL - 10x335PCD
29	4 079 0016 00	2	Brake disc (INTEGRAL rotor) - Dual steel/alloy wheels - 10x285.75PCD
31	1 303 1128 10	16/20	Wheel stud - M22x1.5x103 - Dual steel/alloy wheels (stepped body)
34	4 247 3012 01	16/20	Wheel nut M22x1.5x27 - SW32
34	4 373 0043 00	16/20	Wheel nut M22x1.5x27 - SW32 - Dual alloy sleeved
34	33272215	16/20	Wheel nut M22x1.5x27 - SW33
39.1	4 315 0075 00	1	O-Ring
40	4 304 0102 00	2	Hub cap
40.2	4 304 0103 00	2	Hub cap for hubodometer
45	4 375 1009 12	20	Hub/rotor bolt - 15mm 12 point socket req'd
46	5 387 0015 03	2	Axle spindle grease (5gr)
56	4 375 1006 10	6	Bolt with collar M18
56.1	4 375 1008 10	2	Centering bolt M18
59	3 080 0072 00	1	Brake caliper assy, WABCO RH
60	3 080 0071 00	1	Brake caliper assy, WABCO LH
064	3 057 0080 00	1	Brake pad kit (incl. 63, 64.1, 64.2 & 65)
066	3 434 3829 00	2	Repair-kit (incl. 65 & 66)
070	3 434 3827 01	2	Guide pin kit (incl. 65, 66, 70.1 - 70.6 & 080)
78	3 029 0242 00	2	Sensor and clamping sleeve kit
78.1	441 035 001 0	2	Sensor
78.2	899 759 882 4	2	Clamping sleeve
Avail.	3 434 3660 00	1	Caliper bolt kit ZI9-19W Axle suits One Caliper (4 bolts)
Tools	4 434 3828 00	1	Hub nut socket (SW85mm)
	4 434 3822 00	1	Universal hub puller
	3 434 3328 00	1	SAF universal toolbox (Wabco & Knorr calipers)
	3 434 3327 00	1	SAF ratchet wrench
	4 434 3822 00	1	Universal hub puller
	3 434 3328 00	1	SAF universal toolbox (Wabco & Knorr calipers)
	3 434 3327 00	1	SAF ratchet wrench



Item	Part Number	Qty	Description
1	See type plate	1	Axle beam assembly (See Ident. No. on the type plate)
4	4 337 2028 00	2	ABS Protection plug
4.1	4 337 2029 00	2	ABS cable plug (inside of spindle)
19	4 315 0052 00	2	Axle nut lock O-Ring Φ 116x3
20	4 315 0056 00	2	Spindle O-Ring Φ 110x2
22	1 011 0070 01	1	Axle nut RH - M120x2/SW140 (without groove)
22.1	1 011 0071 01	1	Axle nut LH - M120x2/SW140 (with groove)
27	3 307 3026 00	2	Hub assembly (Incl.27.1, 35, 36, 36.1, 38.1 & 38.2) - Dual alloy wheels - 8x275PCD
27	3 307 3025 01	2	Hub assembly (Incl.27.1, 35, 36, 36.1, 38.1 & 38.2) - Dual steel wheels - 8x275PCD
27	3 307 3033 00	2	Hub assembly (Incl.27.1, 35, 36, 36.1, 38.1 & 38.2) - Dual alloy wheels - 10x285.75PCD
27.2	3 434 3012 00	2	Bearing and seal kit (Incl. 20, 27.3, 35, 36, 36.1 & 38)
27.3	5 387 0011 05	2	Bearing grease pack (230gr)
29	4 079 0004 00	2	Brake disc (rotor) - Dual steel only wheels - 8x275PCD
29	4 079 0014 00	2	Brake disc (rotor) - Dual steel/alloy wheels - 8x275PCD
29	4 079 0012 01	2	Brake disc (rotor) - Dual steel/alloy wheels - 10x285.75PCD
31	1 303 1075 12	16/20	Wheel stud - M22x1.5x93 - Dual steel wheels
31	1 303 1112 10	16/20	Wheel stud - M22x1.5x112 - Dual steel/alloy wh. (straight body - used with 1 095 1057 00 sleeve)
31	1 303 1125 10	16/20	Wheel stud - M22x1.5x112 - Dual steel/alloy wheels (stepped body)
N.A.	1 095 1057 00	16/20	Wheel stud sleeve (used with 1 303 1112 10 stud)
34	4 247 3012 01	16/20	Wheel nut M22x1.5x27 - SW32
34	4 373 0043 00	16/20	Wheel nut M22x1.5x27 - SW32 - Dual alloy sleeved
34	33272215	16/20	Wheel nut M22x1.5x27 - SW33
38	3 434 3014 01	1	Seal repair kit (Incl. 20, 27.3, 36.1, 38.1 & 38.2)
39	4 315 0054 00	2	Hub cap O-Ring Φ 182x4
40	3 304 1092 00	2	Hub cap assembly - Chromed - (Incl. 39-41)
40	3 304 0092 00	2	Hub cap assembly - Matt finish - (Incl. 39-41)
41	4 337 2026 02	2	Protection plug
N.A.	1 094 0037 01	1	Hubodometer installation washer
56	4 343 2914 10	10	Bolt with collar M16x1.5
56.1	4 375 1004 10	2	Centering bolt M16x1.5
59	3 080 0032 00	1	Brake caliper assy, WABCO PAN19-1, RH
60	3 080 0033 00	1	Brake caliper assy, WABCO PAN19-1, LH
064	3 057 0080 00	1	Brake pad kit (incl. 63, 64.1, 64.2 & 65)
066	3 434 3829 00	2	Repair-kit (incl. 65 & 66)
070	3 434 3827 01	2	Guide pin kit (incl. 65, 66, 70.1 - 70.6 & 080)
76	4 189 0051 00	2	Sensor mount bracket
76.2	4 343 2067 00	4	Sensor mount screw M6x12 (self tapping)
Tools	1 012 0024 00	1	Hub nut socket (SW140mm)
	4 434 3822 00	1	Universal hub puller
	3 434 3328 00	1	SAF universal toolbox (Wabco & Knorr calipers)
	4 387 0015 06	1	SAF fitting paste (to be applied on spindles)
	3 434 3327 00	1	SAF ratchet wrench

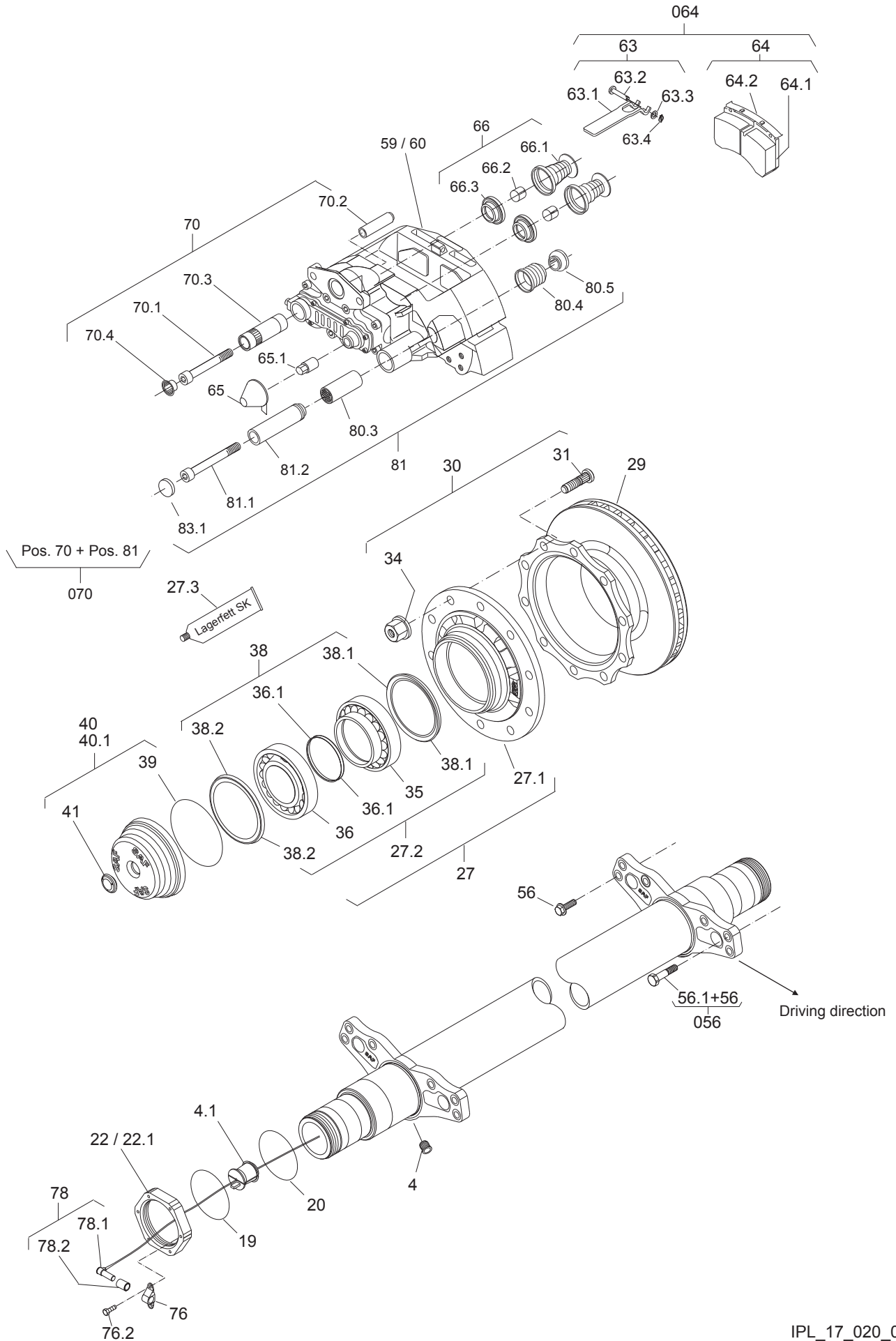


SK RZ 9019K axle

(Knorr caliper SN6 - dual wheels)

SAF Holland

Item	Part Number	Qty	Description
1	See type plate	1	Axle beam assembly (See Ident. No. on the type plate)
4	4 337 2028 00	2	ABS Protection plug
4.1	4 337 2029 00	2	ABS cable plug (inside of spindle)
19	4 315 0052 00	2	Axle nut lock O-Ring Φ 116x3
20	4 315 0056 00	2	Spindle O-Ring Φ 110x2
22	1 011 0070 01	1	Axle nut RH - M120x2/SW140 (without groove)
22.1	1 011 0071 01	1	Axle nut LH - M120x2/SW140 (with groove)
27	3 307 3026 00	2	Hub assembly (Incl.27.1, 35, 36, 36.1, 38.1 & 38.2) - Dual alloy wheels - 8x275PCD
27	3 307 3025 01	2	Hub assembly (Incl.27.1, 35, 36, 36.1, 38.1 & 38.2) - Dual steel wheels - 8x275PCD
27	3 307 3033 00	2	Hub assembly (Incl.27.1, 35, 36, 36.1, 38.1 & 38.2) - Dual alloy wheels - 10x285.75PCD
27.2	3 434 3012 00	2	Bearing and seal kit (Incl. 20, 27.3, 35, 36, 36.1 & 38)
27.3	5 387 0011 05	2	Bearing grease pack (230gr)
29	4 079 0004 00	2	Brake disc (rotor) - Dual steel only wheels - 8x275PCD
29	4 079 0014 01	2	Brake disc (rotor) - Dual steel/alloy wheels - 8x275PCD
29	4 079 0012 01	2	Brake disc (rotor) - Dual steel/alloy wheels - 10x285.75PCD
31	1 303 1075 12	16/20	Wheel stud - M22x1.5x93 - Dual steel wheels
31	1 303 1112 10	16/20	Wheel stud - M22x1.5x112 - Dual steel/alloy wh. (straight body - used with 1 095 1057 00 sleeve)
31	1 303 1125 10	16/20	Wheel stud - M22x1.5x112 - Dual steel/alloy wheels (stepped body)
N.A.	1 095 1057 00	16/20	Wheel stud sleeve (used with 1 303 1112 10 stud)
34	4 247 3012 01	16/20	Wheel nut M22x1.5x27 - SW32
34	4 373 0043 00	16/20	Wheel nut M22x1.5x27 - SW32 - Dual alloy sleeved
34	33272215	16/20	Wheel nut M22x1.5x27 - SW33
38	3 434 3014 01	1	Seal repair kit (Incl. 20, 27.3, 36.1, 38.1 & 38.2)
39	4 315 0054 00	2	Hub cap O-Ring Φ 182x4
40	3 304 1092 00	2	Hub cap assembly - Chromed - (Incl. 39-41)
40	3 304 0092 00	2	Hub cap assembly - Matt finish - (Incl. 39-41)
41	4 337 2026 02	2	Protection plug
N.A.	1 094 0037 01	1	Hubodometer installation washer
56	4 343 2914 10	10	Bolt with collar M16x1.5
56.1	4 375 1004 10	2	Centering bolt M16x1.5
59	3 080 0024 01	1	Brake caliper assy, Knorr Bremse (SN6) - RH
60	3 080 0025 01	1	Brake caliper assy, Knorr Bremse (SN6) - LH
63	3 434 3807 00	2	Lining holder kit (incl. 63.1 - 63.4)
064	3 057 0078 00	1	Brake lining kit (incl. 63, 64.1 & 64.2)
66	3 434 3814 00	2	Tappet kit SN6 & SN7 (incl. 66.1 - 66.3)
70	4 434 3812 00	2	Guide/Seal kit SN6 & SN7 (incl. 65, 70.1 - 70.3 & 81)
76	4 189 0051 00	2	Sensor mount bracket
76.2	4 343 2067 00	4	Sensor mount screw M6x12 (self tapping)
Tools	1 012 0024 00	1	Hub nut socket (SW 140 mm)
	4 434 3822 00	1	Universal hub puller
	3 434 3328 00	1	SAF universal toolbox (Wabco & Knorr calipers)
	4 387 0015 06	1	SAF fitting paste (to be applied on spindles)
	3 434 3327 00	1	SAF ratchet wrench

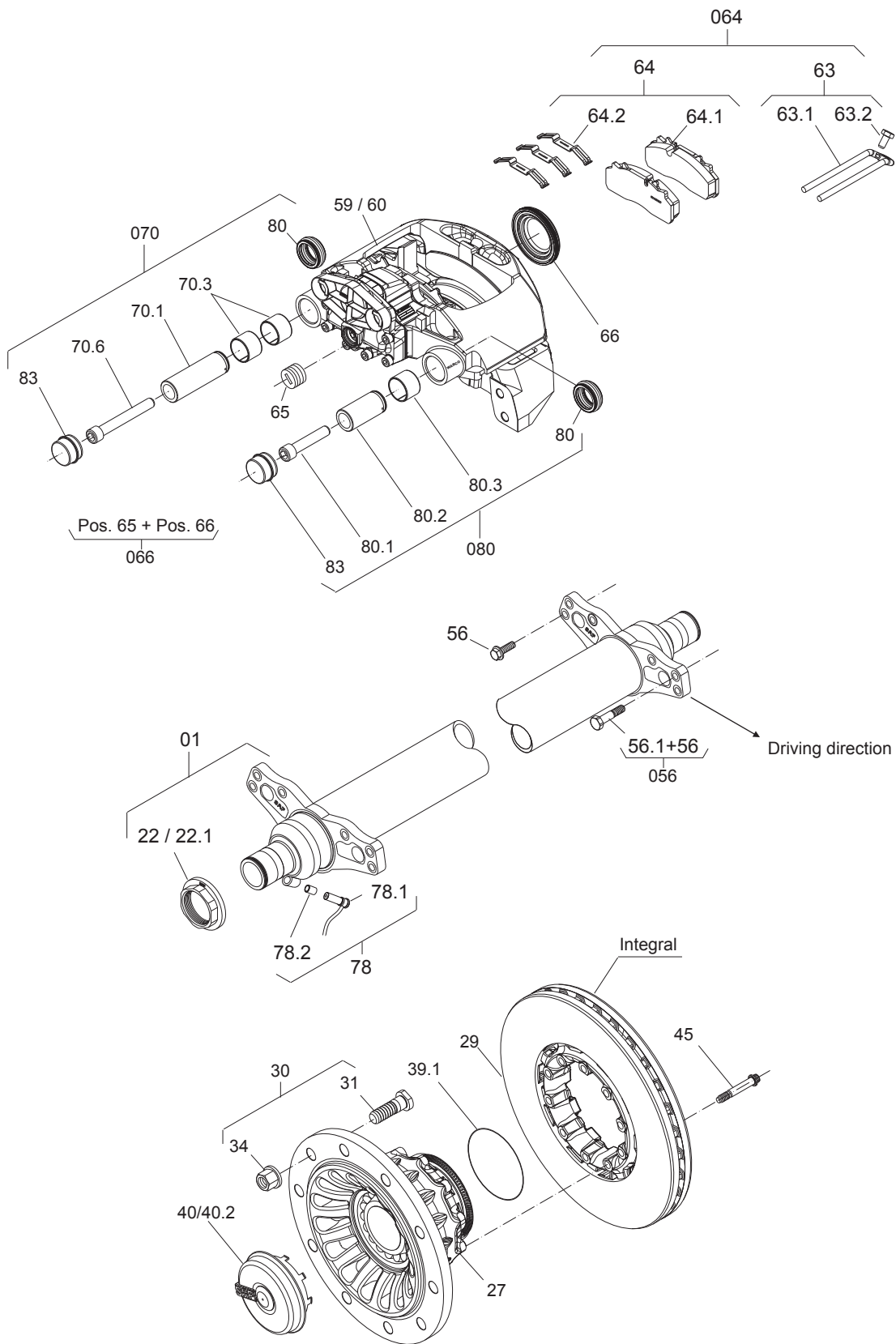


SK RZ 9022K axle

(Knorr caliper SN7 - dual wheels)

SAF *Holland*

Item	Part Number	Qty	Description
1	See type plate	1	Axle beam assembly (See Ident. No. on the type plate)
4	4 337 2028 00	2	ABS Protection plug
4.1	4 337 2029 00	2	ABS cable plug (inside of spindle)
19	4 315 0052 00	2	Axle nut lock O-Ring Φ 116x3
20	4 315 0056 00	2	Spindle O-Ring Φ 110x2
22	1 011 0070 01	1	Axle nut RH - M120x2/SW140 (without groove)
22.1	1 011 0071 01	1	Axle nut LH - M120x2/SW140 (with groove)
27	3 307 3029 00	2	Hub assembly (Incl.27.1, 35, 36, 36.1, 38.1 & 38.2) - Dual alloy wheels - 10x335PCD
27.2	3 434 3012 00	2	Bearing and seal kit (Incl. 20, 27.3, 35, 36, 36.1 & 38)
27.3	5 387 0011 05	2	Bearing grease pack (230gr)
29	4 079 0003 00	2	Brake disc (rotor) - Dual alloy wheels - 10x335PCD
31	1 303 1075 12	20	Wheel stud - M22x1.5x93 - Dual steel wheels
31	1 303 1112 10	20	Wheel stud - M22x1.5x112 - Dual steel/alloy wheels
34	4 247 3012 01	20	Wheel nut M22x1.5x27 - SW32
34	33272215	20	Wheel nut M22x1.5x27 - SW33
38	3 434 3014 01	1	Seal repair kit (Incl. 20, 27.3, 36.1, 38.1 & 38.2)
39	4 315 0054 00	2	Hub cap O-Ring Φ 182x4
40	3 304 0072 00	2	Hub cap assembly - Without ABS pole wheel - (Incl. 39-41)
40	3 304 0076 00	2	Hub cap assembly - With ABS pole wheel - (Incl. 39-41)
41	4 337 2026 02	2	Protection plug
N.A.	1 094 0037 01	1	Hubodometer installation washer
56	4 343 2914 10	10	Bolt with collar M16x1.5
56.1	4 375 1004 10	2	Centering bolt M16x1.5
59	3 080 0030 01	1	Brake caliper assy, Knorr Bremse (SN7) - RH
60	3 080 0031 01	1	Brake caliper assy, Knorr Bremse (SN7) - LH
63	3 434 3809 00	2	Lining holder kit (incl. 63.1 - 63.4)
064	3 057 0077 00	1	Brake lining kit (incl. 63, 64.1, 64.2, 65 & 65.1)
66	3 434 3814 00	2	Tappet kit SN6 & SN7 (incl. 66.1 - 66.3)
70	4 434 3812 00	2	Guide/Seal kit SN6 & SN7 (incl. 65, 70.1 - 70.3 & 81)
70	4 434 3815 00	2	Guide/Seal kit SN6 & SN7 (incl. 65, 70.1 - 70.3 & 81) for the Calipers with P. N. 3_080_...._21
76	4 189 0051 00	2	Sensor mount bracket
76.2	4 343 2067 00	4	Sensor mount screw M6x12 (self tapping)
Tools	1 012 0024 00	1	Hub nut socket (SW 140 mm)
	4 434 3822 00	1	Universal hub puller
	3 434 3328 00	1	SAF universal toolbox (Wabco & Knorr calipers)
	4 387 0015 06	1	SAF fitting paste (to be applied on spindles)
	3 434 3327 00	1	SAF ratchet wrench

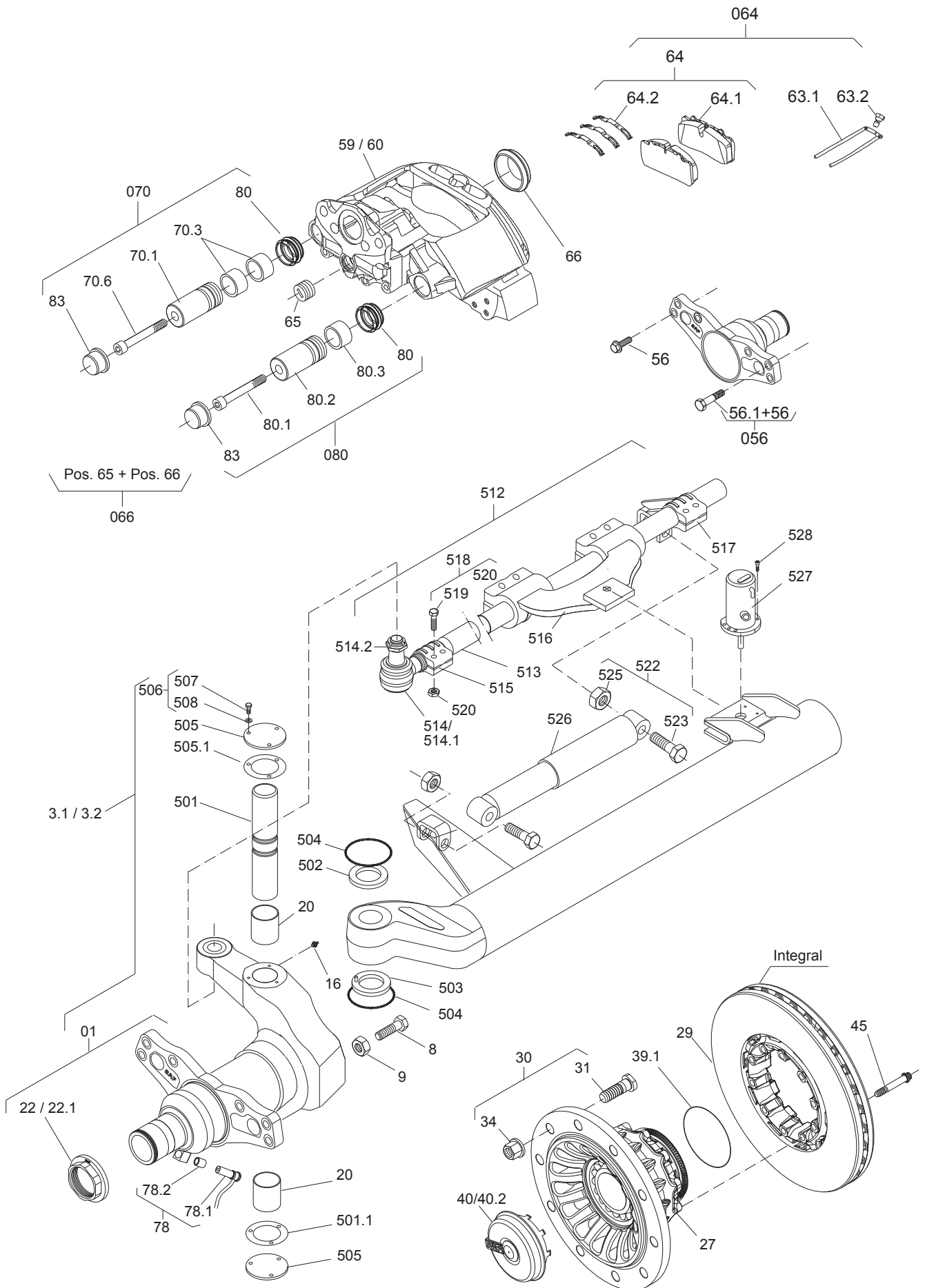


SK RB 9019W Intradisc *INTEGRAL* axle

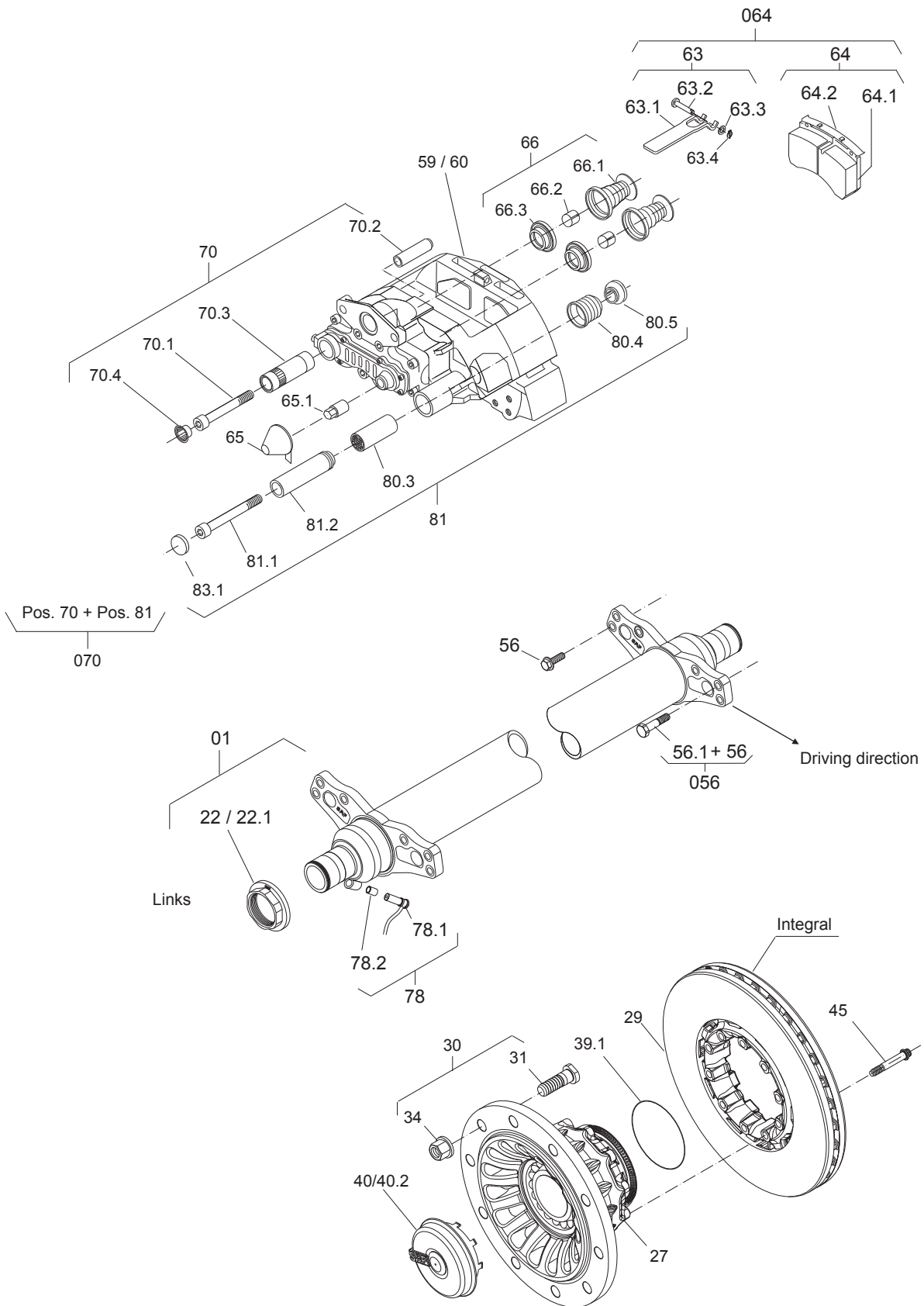
(Wabco caliper PAN19-1 - single wheels)

SAF *Holland*

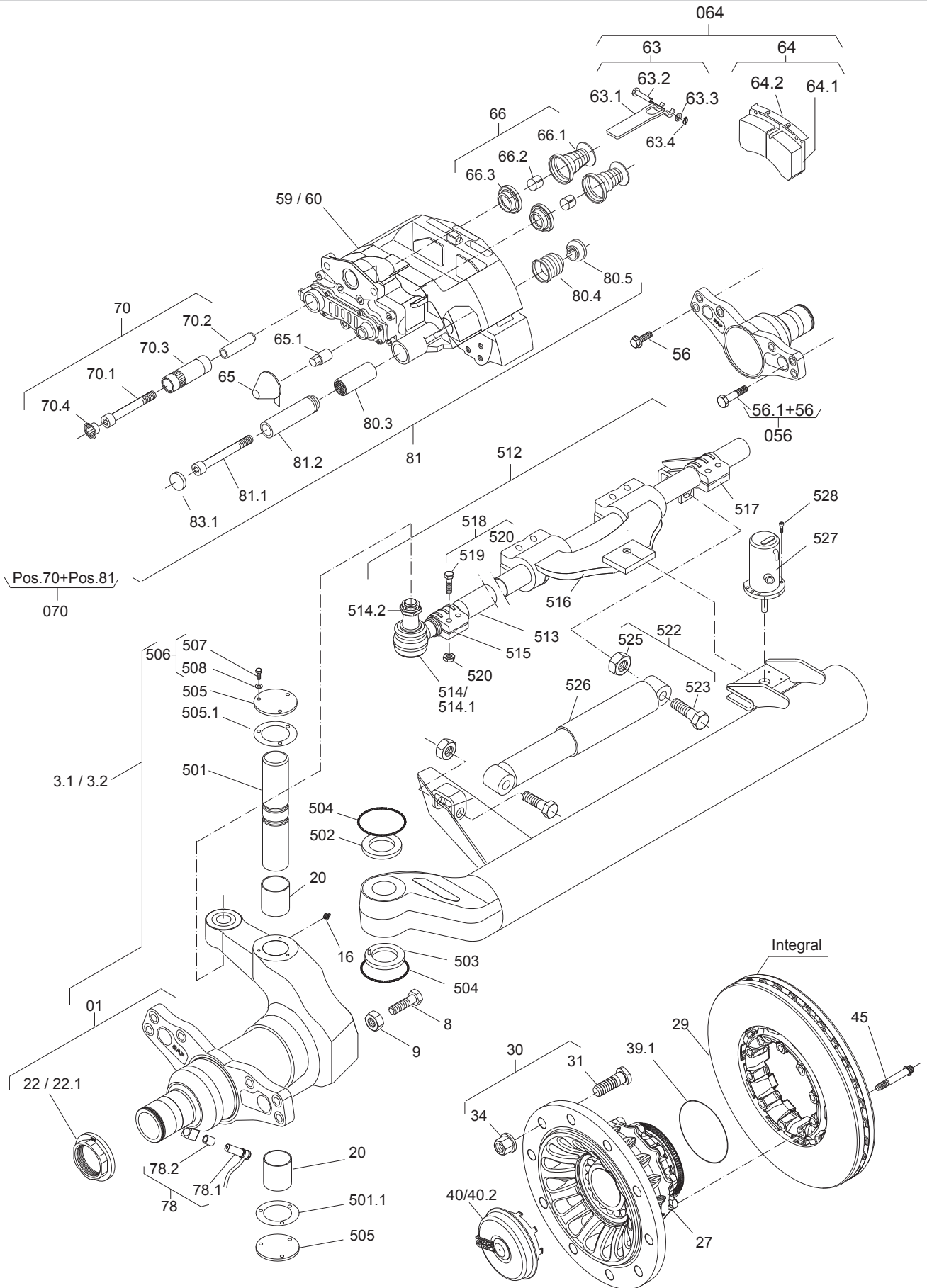
Item	Part Number	Qty	Description
1	See type plate	1	Axle beam assembly (See Ident. No. on the type plate)
22	1 011 0088 00	1	Axle nut RH - M72x1.5 / SW85
22.1	1 011 0087 00	1	Axle nut LH - M72x1.5 / SW85
27	3 307 3030 01	2	Hub unit <i>INTEGRAL</i> - 10x335PCD
29	4 079 0010 02	2	Brake disc <i>INTEGRAL</i> - 377 mm
31	1 303 1120 10	20	Wheel Stud M22x1,5x78 - Single Alloy Wheels
34	4 247 3012 01	20	Wheel nut M22x1.5x27 - SW32
39.1	4 315 0075 00	2	O-Ring - Φ 92x4
40	4 304 0102 00	2	Hub cap
40.2	4 304 0103 00	2	Hub cap for hubodometer
45	4 375 1005 12	20	Torx Bolt 12Pt. Head
56	4 343 2914 10	10	Bolt with collar M16x1.5
56.1	4 375 1004 10	2	Centering bolt M16x1.5
59	3 080 0032 00	1	Brake caliper assy, WABCO PAN19-1, RH
60	3 080 0033 00	1	Brake caliper assy, WABCO PAN19-1, LH
064	3 057 0080 00	1	Brake pad kit (incl. 63, 64.1, 64.2 & 65)
066	3 434 3829 00	2	Repair-kit (incl. 65 & 66)
070	3 434 3827 01	2	Guide pin kit (incl. 65, 66, 70.1 - 70.6 & 080)
Tools	4 434 3828 00	1	Hub nut socket (SW85mm)
	4 434 3822 00	1	Universal hub puller
	3 434 3328 00	1	SAF universal toolbox (Wabco & Knorr calipers)
	4 387 0015 06	1	SAF fitting paste (to be applied on spindles)
	3 434 3327 00	1	SAF ratchet wrench



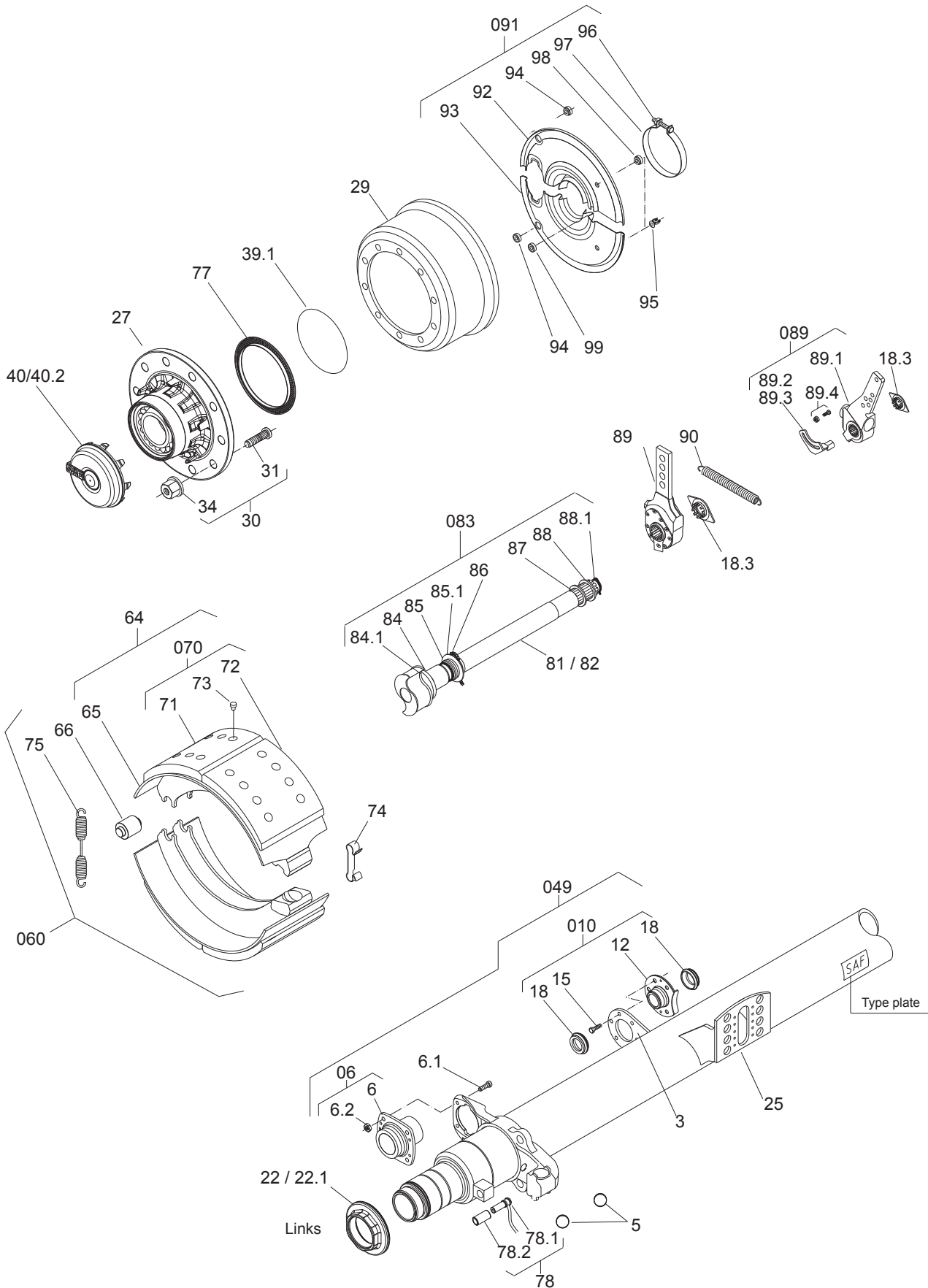
Item	Part Number	Qty	Description
1	See type plate	1	Axle beam assembly (See Ident. No. on the type plate)
3.1	See type plate	1	Steering knuckle LH (See Ident. No. on the type plate)
3.2	See type plate	1	Steering knuckle RH (See Ident. No. on the type plate)
8	4 343 1014 01	2	Bolt steering stop M20
9	4 342 1017 80	2	Nut M20
16	4 201 0001 00	2	Grease nipple AM 8x1 - 16mm lg.
17	4 201 0002 00	2	Grease nipple BM 8x1 - 23.5mm lg.
20	4 230 0170 00	4	Bronze bush Φ 65/60x70
22	1 011 0088 00	1	Axle nut RH - M72x1.5 / SW85
22.1	1 011 0087 00	1	Axle nut LH - M72x1.5 / SW85
27	3 307 3030 01	2	Hub unit <i>INTEGRAL</i> - 10x335PCD
29	4 079 0010 02	2	Brake disc <i>INTEGRAL</i> - 377 mm
31	1 303 1120 10	20	Wheel Stud M22x1,5x78 - Single Alloy Wheels
34	4 247 3012 01	20	Wheel nut M22x1.5x27 - SW32
39.1	4 315 0075 00	2	O-Ring - Φ 92x4
40	4 304 0102 00	2	Hub cap
40.2	4 304 0103 00	2	Hub cap for hubodometer
45	4 375 1005 12	20	Torx Bolt 12Pt. Head
56	4 343 2914 10	10	Bolt with collar M16x1.5
56.1	4 375 1004 10	2	Centering bolt M16x1.5
59	3 080 0032 00	1	Brake caliper assy, WABCO PAN19-1, RH
60	3 080 0033 00	1	Brake caliper assy, WABCO PAN19-1, LH
064	3 057 0080 00	1	Brake pad kit (incl. 63, 64.1, 64.2 & 65)
066	3 434 3829 00	2	Repair-kit (incl. 65 & 66)
070	3 434 3827 01	2	Guide pin kit (incl. 65, 66, 70.1 - 70.6 & 080)
500	3 434 3657 00	2	Repair-kit steering knuckle (incl. 20 & 501-508)
506	3 341 1015 00	12	Bolt-kit (incl. 506 & 507)
512	3 357 0140 00	1	Track rod assembly (incl. 513 - 515 & 519 - 520)
514	2 205 0003 00	1	Ball joint LH
514.1	2 205 0004 00	1	Ball joint RH
514.2	4 202 1011 50	2	Castle nut
516	2 193 0029 01	1	Axle-lock plate
517	2 194 3007 01	1	Clamping bracket
518	3 341 2023 19	10	Bolt-kit M12 (incl. 519 & 520)
522	3 341 0023 19	2	Bolt-kit M24 (incl. 523 - 525)
523	4 343 0023 88	2	Bolt M24
525	4 247 4014 80	2	Lock nut M24
526	2 376 1009 01	1	Stabilising damper
527	4 454 3004 00	1	Axle-lock cylinder
528	4 375 4001 88	4	Allen-Screw M6
Tools	4 434 3828 00	1	Hub nut socket (SW85mm)
	4 434 3822 00	1	Universal hub puller
	3 434 3328 00	1	SAF universal toolbox (Wabco & Knorr calipers)
	4 387 0015 06	1	SAF fitting paste (to be applied on spindles)
	3 434 3327 00	1	SAF ratchet wrench



Item	Part Number	Qty	Description
1	See type plate	1	Axle beam assembly (See Ident. No. on the type plate)
22	1 011 0088 00	1	Axle nut RH - M72x1.5 / SW85
22.1	1 011 0087 00	1	Axle nut LH - M72x1.5 / SW85
27	3 307 3030 01	2	Hub unit <i>INTEGRAL</i> -10x335PCD
29	4 079 0013 01	2	Brake disc <i>INTEGRAL</i> - 430 mm
31	1 303 1120 10	20	Wheel Stud M22x1,5x78 - Single Alloy Wheels
34	4 247 3012 01	20	Wheel nut M22x1.5x27 - SW32
39.1	4 315 0075 00	2	O-Ring - Φ 92x4
40	4 304 0102 00	2	Hub cap
40.2	4 304 0103 00	2	Hub cap for hubodometer
45	4 375 1005 12	20	Torx Bolt 12Pt. Head
56	4 343 2914 10	10	Bolt with collar M16x1.5
56.1	4 375 1004 10	2	Centering bolt M16x1.5
59	3 080 0030 01	1	Brake caliper assy, Knorr Bremse (SN7) - RH
60	3 080 0031 01	1	Brake caliper assy, Knorr Bremse (SN7) - LH
63	3 434 3809 00	2	Lining holder kit (incl. 63.1 - 63.4)
064	3 057 0077 00	1	Brake lining kit (incl. 63, 64.1, 64.2, 65 & 65.1)
66	3 434 3814 00	2	Tappet kit SN6 & SN7 (incl. 66.1 - 66.3)
70	3 434 3812 00	2	Guide/Seal kit SN6 & SN7 (incl. 65, 70.1 - 70.3 & 81)
70	3 434 3815 00	2	Guide/Seal kit SN6 & SN7 (incl. 65, 70.1 - 70.3 & 81) for the Calipers with P. N. 3_080_...._21
Tools	4 434 3828 00	1	Hub nut socket (SW85mm)
	4 434 3822 00	1	Universal hub puller
	3 434 3328 00	1	SAF universal toolbox (Wabco & Knorr calipers)
	4 387 0015 06	1	SAF fitting paste (to be applied on spindles)
	3 434 3327 00	1	SAF ratchet wrench



Item	Part Number	Qty	Description
1	See type plate	1	Axle beam assembly (See Ident. No. on the type plate)
3.1	See type plate	1	Steering knuckle LH (See Ident. No. on the type plate)
3.2	See type plate	1	Steering knuckle RH (See Ident. No. on the type plate)
8	4 343 1014 01	2	Bolt steering stop M20
9	4 342 1017 80	2	Nut M20
16	4 201 0001 00	2	Grease nipple AM 8x1 - 16mm lg.
17	4 201 0002 00	2	Grease nipple BM 8x1 -23.5mm lg.
20	4 230 0170 00	4	Bronze bush Φ 65/60x70
22	1 011 0088 00	1	Axle nut RH - M72x1.5 / SW85
22.1	1 011 0087 00	1	Axle nut LH - M72x1.5 / SW85
27	3 307 3030 01	2	Hub unit <i>INTEGRAL</i> - 10x335PCD
29	4 079 0013 01	2	Brake disc <i>INTEGRAL</i> - 430 mm
31	1 303 1120 10	20	Wheel Stud M22x1,5x78 - Single Alloy Wheels
34	4 247 3012 01	20	Wheel nut M22x1.5x27 - SW32
39.1	4 315 0075 00	2	O-Ring - Φ 92x4
40	4 304 0102 00	2	Hub cap
40.2	4 304 0103 00	2	Hub cap for hubodometer
45	4 375 1005 12	20	Torx Bolt 12Pt. Head
56	4 343 2914 10	10	Bolt with collar M16x1.5
56.1	4 375 1004 10	2	Centering bolt M16x1.5
59	3 080 0030 01	1	Brake caliper assy, Knorr Bremse (SN7) - RH
60	3 080 0031 01	1	Brake caliper assy, Knorr Bremse (SN7) - LH
63	3 434 3809 00	2	Lining holder kit (incl. 63.1 - 63.4)
064	3 057 0077 00	1	Brake lining kit (incl. 63, 64.1, 64.2, 65 & 65.1)
66	3 434 3814 00	2	Tappet kit SN6 & SN7 (incl. 66.1 - 66.3)
70	3 434 3812 00	2	Guide/Seal kit SN6 & SN7 (incl. 65, 70.1 - 70.3 & 81)
70	3 434 3815 00	2	Guide/Seal kit SN6 & SN7 (incl. 65, 70.1 - 70.3 & 81) for the Calipers with P. N. 3_080_...._21
500	3 434 3657 00	2	Repair-kit steering knuckle (incl. 20 & 501-508)
506	3 341 1015 00	12	Bolt-kit (incl. 506 & 507)
512	3 357 0140 00	1	Track rod assembly (incl. 513 - 515 & 519 - 520)
514	2 205 0003 00	1	Ball joint LH
514.1	2 205 0004 00	1	Ball joint RH
514.2	4 202 1011 50	2	Castle nut
516	2 193 0029 01	1	Axle-lock plate
517	2 194 3007 01	1	Clamping bracket
518	3 341 2023 19	10	Bolt-kit M12 (incl. 519 & 520)
522	3 341 0023 19	2	Bolt-kit M24 (incl. 523 - 525)
523	4 343 0023 88	2	Bolt M24
525	4 247 4014 80	2	Lock nut M24
526	2 376 1009 01	1	Stabilising damper
527	4 454 3004 00	1	Axle-lock cylinder
528	4 375 4001 88	4	Allen-Screw M6
Tools	4 434 3828 00	1	Hub nut socket (SW85mm)
	4 434 3822 00	1	Universal hub puller
	3 434 3328 00	1	SAF universal toolbox (Wabco & Knorr calipers)
	4 387 0015 06	1	SAF fitting paste (to be applied on spindles)
	3 434 3327 00	1	SAF ratchet wrench

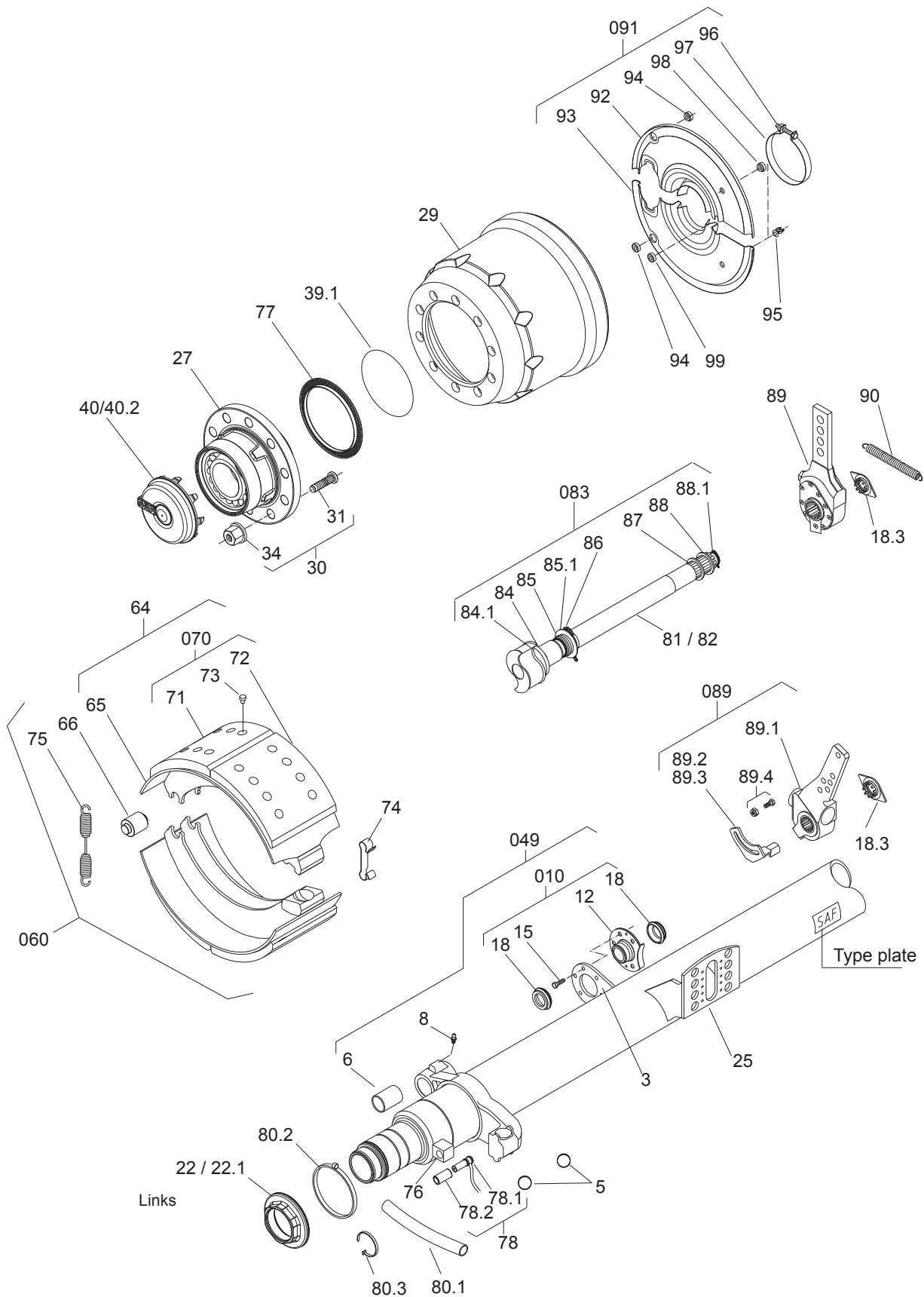


Z9-4218 NG axle (used on Intradrum)

(Drum brake 420x180 - 10x285.75Pcd - dual wheels)

SAF Holland

Item	Part Number	Qty	Description
01	147 90 21 2 69 3	1	IU - Intradrum - complete axle module with brakes
01	147 90 22 2 69 3	1	IO - Intradrum - complete axle module with brakes
4	4 337 2028 00	2	Rubber plug
5	4 199 1002 00	4	Anchor ball 40 mm
06	3 268 0050 00	2	S-cam bush kit - SNK 420/367 (Incl. Pos. 6 & 6.2)
6.1	4 051 7001 10	8	Bolt M8x25
010	3 268 0047 00	2	Inner S-cam bush kit (Incl. Pos. 12-18)
18.3	4 187 0010 00	2	Wear indicator
22	1 011 0086 00	1	Hub nut M75x1.5 - RH - (spanner 85 mm)
22.1	1 011 0085 00	1	Hub nut M75x1.5 - LH - (spanner 85 mm)
27	3 307 3057 00	2	Hub unit - Intradrum - 10x285.75PCD
27	3 307 3052 00	2	Hub unit - Intradrum - 10x335PCD
29	1 064 0298 00	2	Brake drum - Φ 420x180 - 10x285.75PCD
29	1 064 0260 02	2	Brake drum - Φ 420x180 - 10x335PCD
30	3 302 1145 00	1	Wheel bolt kit (Incl. Pos. 31 & 34)
31	1 303 1112 10	20	Wheel bolt M22x1.5X112
34	4 247 3012 01	20	Wheel nut M22x1.5X27 - (spanner 32 mm)
39.1	4 315 0075 00	2	O-ring - Φ 92x4
40	4 304 0102 00	2	Hubcap - with O-ring
40.2	4 304 0103 01	2	Hubcap for hubodometer - with O-ring
049	3 434 3652 00	1	Camshaft bushing repair kit - (Incl. Pos. 06, 010, 18.3, 39, 84-88.1 & 90)
060	3 434 3653 00	1	Brake shoe kit (Incl. Pos. 64, 74 & 75)
64	3 055 0120 00	4	Brake shoe assembly - with lining
65	3 054 0120 00	4	Brake shoe
66	1 265 0019 00	4	Cam roller
070	3 057 3960 00	1	Brake lining kit (Incl. Pos. 71-73)
74	1 151 0008 00	2	Retaining clamp
75	1 447 0058 01	2	Return spring
77	4 029 1070 00	2	ABS pole-wheel - 90
78	3 029 0231 00	2	ABS kit (Incl. Pos. 78.1, 78.2 & Renolit paste)
81	2 262 1115 02	1	Camshaft LH - 698 mm
82	2 262 1114 02	1	Camshaft RH - 698 mm
083	3 317 0016 00	2	Camshaft replacement kit (Incl. Pos. 85-88.1 & 18.3)
89	4 175 0249 00	2	Slack adjuster
089	3 434 3502 02	1	Auto-slack adjuster kit (Incl. Pos. 89.1-89.3 & 18.3)
90	1 447 0036 00	2	Return spring
091	3 005 0173 00	2	Dust cover pair (Incl. Pos. 92-94 & 96-99)
95	4 189 0044 00	2	Cable clip
Tools	4 434 3828 00	1	Hub nut socket (SW85mm) for NG axles
	4 434 3822 00	1	Universal hub puller
	4 387 0015 06	1	SAF fitting paste (to be applied on spindles)



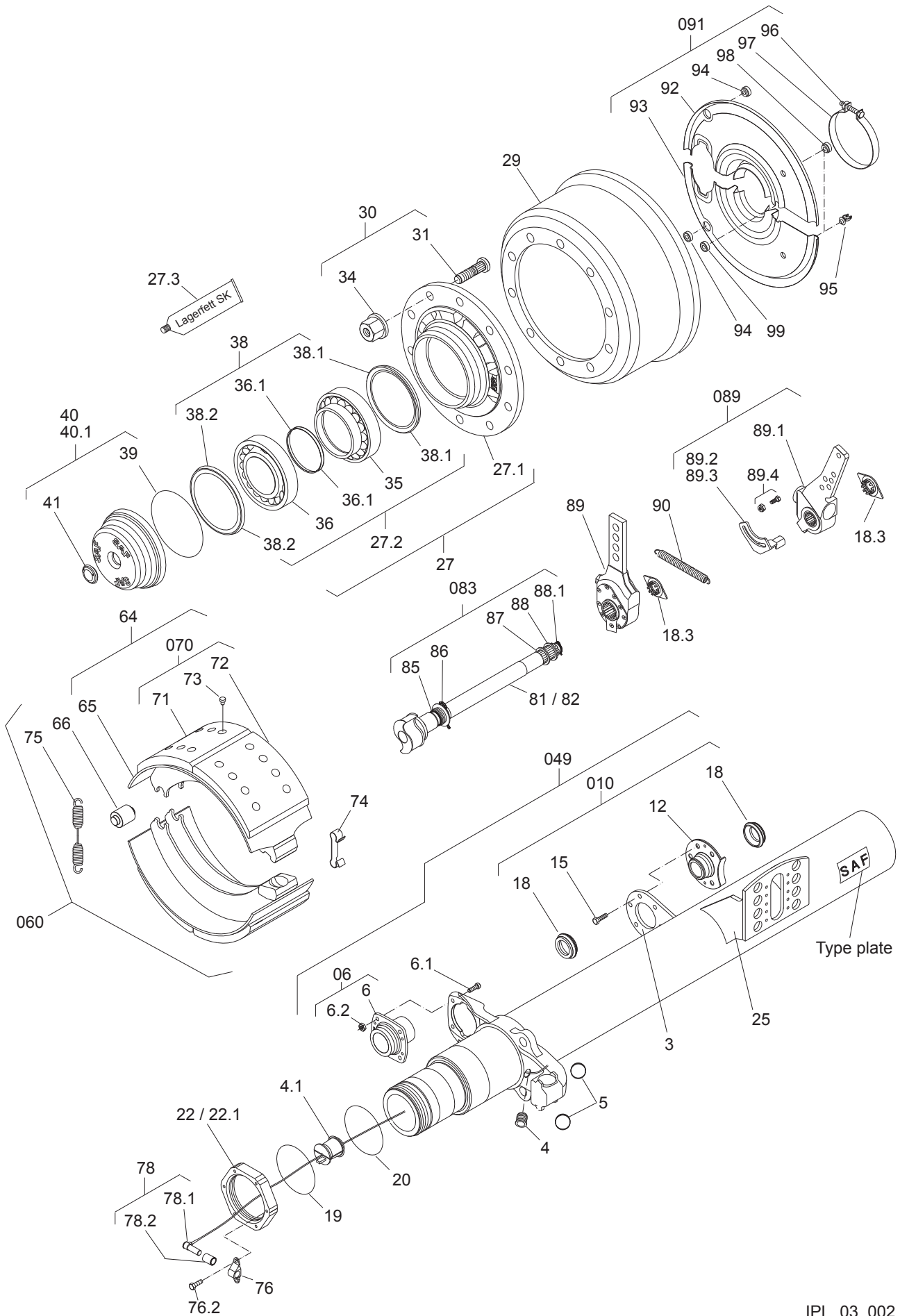
Z11-3020 low loader NG axle

(Drum brake 300x200 - dual wheels)

SAF Holland

Item	Part Number	Qty	Description
01	See type plate	1	Axle beam assembly (See Ident. No. on the type plate)
5	4 199 1002 00	4	Anchor ball 40mm
6	4 230 0180 00	2	Cam bronze bush - Φ 50/46x40
8	4 201 0001 00	4	Grease nipple AM 8x1 - 16 lg.
010	3 268 0047 00	2	Camshaft bearing assembly (incl. 12-18)
18.3	4 187 0010 00	2	Wear indicator
22	1 011 0086 00	1	Axle nut RH - M75x1.5 (spanner 85 mm)
22.1	1 011 0085 00	1	Axle nut LH - M75x1.5 (spanner 85 mm)
27	3 307 3046 00	2	Hub unit assembly - 10x225PCD
29	1 064 0273 00	2	Brake drum - Φ 300x200 - 10x225PCD
31	1 303 1075 12	20	Wheel bolt - M22x1,5x 93
34	4 247 3012 01	20	Wheel nut - M22x1,5 x27
39.1	4 315 0075 00	2	O-Ring - Φ 92x4
40	4 304 0102 00	2	Hub cap
40.2	4 304 0103 01	2	Hub cap for hubodometer
049	3 434 3619 00	1	Camshaft bushing repair kit (incl. 6-8, 010, 18.3, 84-88.1 & 90)
060	3 434 3655 00	1	Brake Kit SNK 300x200 (incl. 64, 74 & 75)
64	3 055 0129 01	4	Brake shoe assembly with linings
65	3 054 0129 01	4	Brake shoe without linings (incl. 66)
66	1 265 0019 00	4	Cam-roller
070	3 057 3924 00	1	Brake lining kit (incl. 71-73)
74	1 151 0013 00	2	Retaining clamp
75	1 447 0060 00	2	Return spring
77	4 029 1069 00	2	ABS Pole wheel - 80
80.1	4 338 0010 00	2	Cable protect. hose
80.2	4 194 2018 00	2	Band clamp
80.3	1 194 4001 00	2	Fastenes ring
81	2 262 1503 00	1	Camshaft LH - 497.5mm long
82	2 262 1504 00	1	Camshaft RH - 497.5mm long
083	3 317 0016 00	2	Camshaft kit (incl. 84-88.1 & 18.3)
89	2 175 0294 00	2	Slack adjuster - manual
089	3 434 3502 02	1	Auto-Slack adjuster kit (incl. 89.1-89.3 & 18.3)
90	1 447 0025 02	2	Return spring
091	3 005 0161 00	2	Dust cover kit (incl. 92-94 & 96-99)
95	4 189 0044 00	2	Cable clip
Tools	4 434 3828 00	1	Hub nut socket (SW85mm) for NG Axles
	4 434 3822 00	1	Universal hub puller
	4 387 0015 06	1	SAF fitting paste (to be applied on spindles)

Item	Part Number	Qty	Description
1	See type plate	1	Axle beam assembly (See Ident. No. on the type plate)
3.1	a.r.	1	Steering knuckle LH (See Ident. No. on the type plate)
3.2	a.r.	1	Steering knuckle RH (See Ident. No. on the type plate)
4	1 072 0036 00	2	Bush $\Phi 25/18 \times 14.5$
5	4 199 1002 00	4	Anchor ball 40mm
6	4 230 0180 00	2	Cam bronze bush $\Phi 50/46 \times 40$
7	1 230 0106 04	2	Camshft.bronze bush $\Phi 42/38.1 \times 44.9$
8	4 343 1014 01	2	Bolt steering stop M20x70
9	4 342 0017 80	2	Nut M20
16	4 201 0001 00	6	Grease nipple AM 8x1 - 16mm lg.
17	4 201 0002 00	2	Grease nipple BM 8x1 - 23.5mm lg.
18.3	4 187 0010 00	2	Wear indicator
20	4 230 0170 00	4	Bronze bush $\Phi 65/60 \times 70$
22	1 011 0086 00	1	Axle nut RH - M75x1.5 (spanner 85 mm)
22.1	1 011 0085 00	1	Axle nut LH - M75x1.5 (spanner 85 mm)
27	3 307 3046 00	2	Hub unit assembly - 10x225PCD
29	1 064 0273 00	2	Brake drum - $\Phi 300 \times 200$ - 10x225PCD
31	1 303 1075 12	20	Wheel bolt - M22x1,5x 93
34	4 247 3012 01	20	Wheel nut - M22x1,5 x27
40	4 304 0102 00	2	Hub cap
060	3 434 3655 00	1	Brake Kit SNK 300x200 (incl. 64, 74 & 75)
64	3 055 0129 01	4	Brake shoe assembly with linings
65	3 054 0129 01	4	Brake shoe without linings (incl. 66)
66	1 265 0019 00	4	Cam-roller
070	3 057 3924 00	1	Brake lining kit (incl. 71-73)
74	1 151 0013 00	2	Retaining clamp
75	1 447 0060 00	2	Return spring
77	4 029 1069 00	2	ABS Pole wheel - 80
81	2 262 1501 00	1	Camshaft LH - 258.5mm long
82	2 262 1502 00	1	Camshaft RH - 258.5mm long
083	3 317 0016 00	2	Camshaft kit (incl. 84-88.1 & 18.3)
089	3 434 3506 00	1	Auto-Slack adjuster kit (incl. 89.1-89.4 & 18.3) Axle Ident No. 171_11_07_1_67_1
089	3 434 3507 00	1	Auto-Slack adjuster kit (incl. 89.1-89.4 & 18.3) Axle Ident No. 171_11_08_1_67_1
90	1 447 0025 02	2	Return spring - Axle Ident No. 171_11_07_1_67_1
90	1 447 0036 00	2	Return spring - Axle Ident No. 171_11_08_1_67_1
091	3 005 0183 00	2	Dust cover kit (incl. 92-94 & 97-99)
95	4 189 0044 00	2	Cable clip
500	3 434 3657 00	2	Repair-kit steering knuckle (incl. 20 & 501-508)
500.1	3 434 3603 00	1	Repair-kit steering knuckle (incl. 20, 502-507, 539, 540 & 541)
512	3 357 0143 00	1	Track rod assembly (incl. 513-515 & 519-520)
516	2 193 0025 01	1	Axle-lock plate
527	4 454 3004 00	1	Axle-lock cylinder
528	4 375 4001 88	4	Allen-Screw M6x20
530	3 233 0014 00	2	Stabilizing kit assembly (incl. 531-541)
531	4 454 1004 00	2	Stabilizing chamber 30"
532	1 331 6002 00	2	Spherical washer
533	1 103 0020 00	2	Push-rod - L=370mm
534	3 161 0011 00	2	Clevis set
535	1 161 0011 00	2	Clevis
536	1 051 2002 00	2	Clevis pin
537	4 353 0009 00	2	Split-pin
538	4 342 1008 80	2	Nut M20
539	1 131 0004 00	2	Rubber collar
540	1 194 0007 00	2	Clamp band
541	1 194 0008 00	2	Clamp band
Tools	4 434 3828 00	1	Hub nut socket (SW85mm) for NG Axles
	4 434 3822 00	1	Universal hub puller
	4 387 0015 06	1	SAF fitting paste (to be applied on spindles)

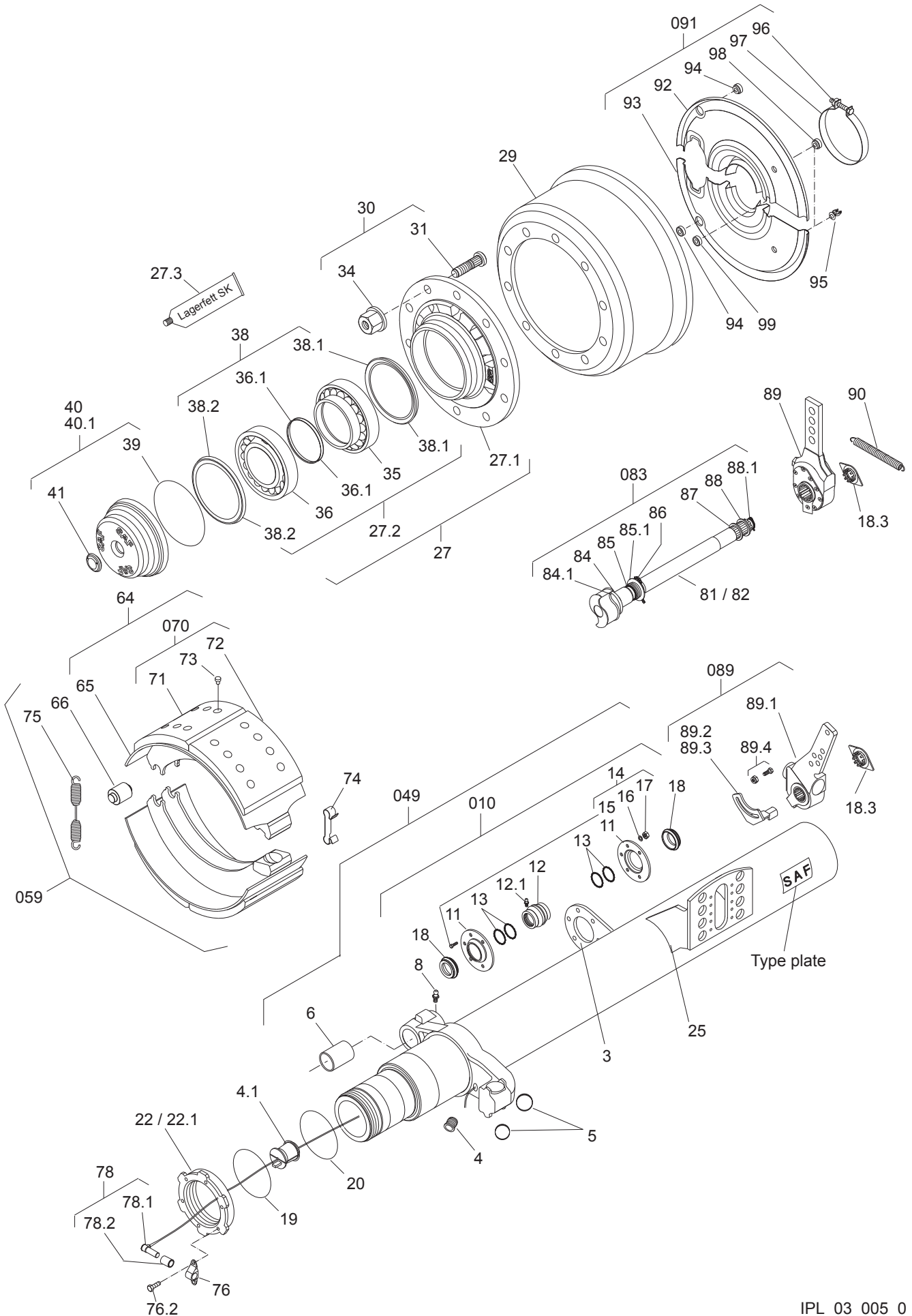


SK RZ 9042 axle

(Drum brake 420x180/200 - dual wheels)

SAF Holland

Item	Part Number	Qty	Description
1	See type plate	1	Axle beam assembly (See Ident. No. on the type plate)
3	1 350 200 104	2	Cam bushing lock plate
4	4 337 2028 00	2	ABS Protection plug
4.1	4 337 2029 00	2	ABS cable plug (inside of spindle)
5	4 199 1002 00	4	Anchor ball - 40mm
06	3 268 0050 00	2	Cam bush unit - SNK420/367 - (incl. 6 & 6.2)
6.1	4 051 7001 10	8	Locating bolt - M8x25
010	3 268 0047 00	2	Camshaft bush & fixing kit - (incl. 12-18)
18.3	4 187 0010 00	2	Wear indicator
19	4 315 0052 00	2	Axle nut lock O-Ring Φ 116x3
20	4 315 0056 00	2	Spindle O-Ring Φ 110x2
22	1 011 0070 01	1	Axle nut RH - M120x2/SW140
22.1	1 011 0071 01	1	Axle nut LH - M120x2/SW140
27	3 307 3016 00	2	Hub-unit 10x285.75PCD - (incl. 27.1, 35, 36, 36.1, 38.1 & 38.2)
27	3 307 3015 00	2	Hub-unit 10x335PCD - (incl. 27.1, 35, 36, 36.1, 38.1 & 38.2)
27.2	3 434 3012 00	2	Hub-Bearing repl. Kit - (incl. 20, 27.3, 35, 36, 36.1 & 38)
27.3	5 387 0011 05	2	Bearing grease pack
29	1 064 0298 00	2	Brake drum - SNK420x180 - 10x285.75PCD
29	1 064 0260 02	2	Brake drum - SNK420x180 - 10x335PCD
29	1 064 0270 00	2	Brake drum - SNK420x200 - 10x335PCD
31	1 303 1112 10	20	Wheel bolt - Alloy Wh. - M22x1,5x112
34	4 247 3012 01	20	Wheel nut - M22x1,5 x27
38	3 434 3014 01	1	Hub seal kit - (incl. 20, 27.3, 36.1, 38.1 & 38.2)
39	4 315 0054 00	2	Hub cap O-Ring Φ 182x4
40	3 304 0072 00	2	Hub cap assembly - Without ABS pole wheel - (Incl. 39-41)
40	3 304 0076 00	2	Hub cap assembly- With ABS pole wheel - (Incl. 39-41)
N.A.	1 094 0037 01	1	Hubodometer installation washer
41	4 337 2026 02	2	Protection plug
060	3 434 3653 00	1	Brake Kit - SNK420x180 - (incl. 64, 74 & 75)
060	3 434 3654 00	1	Brake Kit - SNK420x200 - (incl. 64, 74 & 75)
64	3 055 0120 00	4	Brake shoe assembly with linings - SNK420x180
64	3 055 0122 00	4	Brake shoe assembly with linings - SNK420x200
65	3 054 0120 00	4	Brake shoe without linings (incl. 66) - SNK420x180
65	3 054 0122 00	4	Brake shoe without linings (incl. 66) - SNK420x200
66	1 265 0019 00	4	Cam-roller
070	3 057 3960 00	1	Brake lining kit - (incl. 71-73) - SNK420x180
070	3 057 3966 00	1	Brake lining kit - (incl. 71-73) - SNK420x200
74	1 151 0008 00	2	Retaining clamp
75	1 447 0058 01	2	Return spring
76	4 189 0051 00	2	Sensor mount bracket
76.2	4 343 2067 00	4	Sensor mount screw M6x12 (self tapping)
81	2 262 1115 02	1	Camshaft LH - 698mm
82	2 262 1114 02	1	Camshaft RH - 698mm
083	3 317 0016 00	2	Camshaft replacement kit - (incl. 85-88.1 & 18.3)
89	3 434 3502 02	1	Auto-Slack adjuster kit - (incl. 89.1-89.3 & 18.3)
90	1 447 0036 00	2	Return spring
91	3 005 0173 00	2	Dust cover pair - (incl. 92-94 & 96-99)
95	4 189 0044 00	2	Cable clip
Tools	1 012 0024 00	1	Hub nut socket (SW 140 mm)
	4 434 3822 00	1	Universal hub puller
	4 387 0015 06	1	SAF fitting paste (to be applied on spindles)

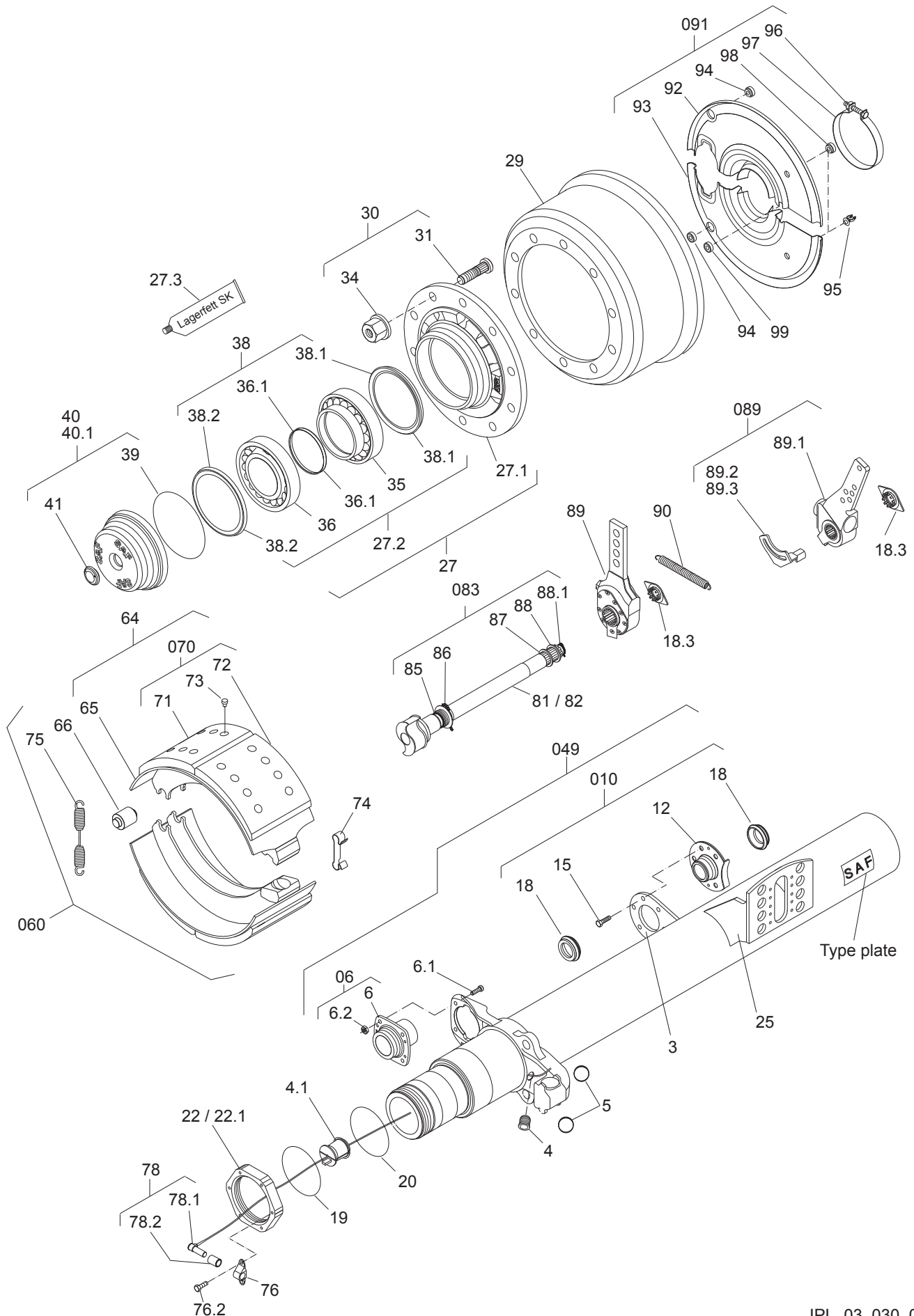


SK RZ 9037 axle (before 14.02.98)

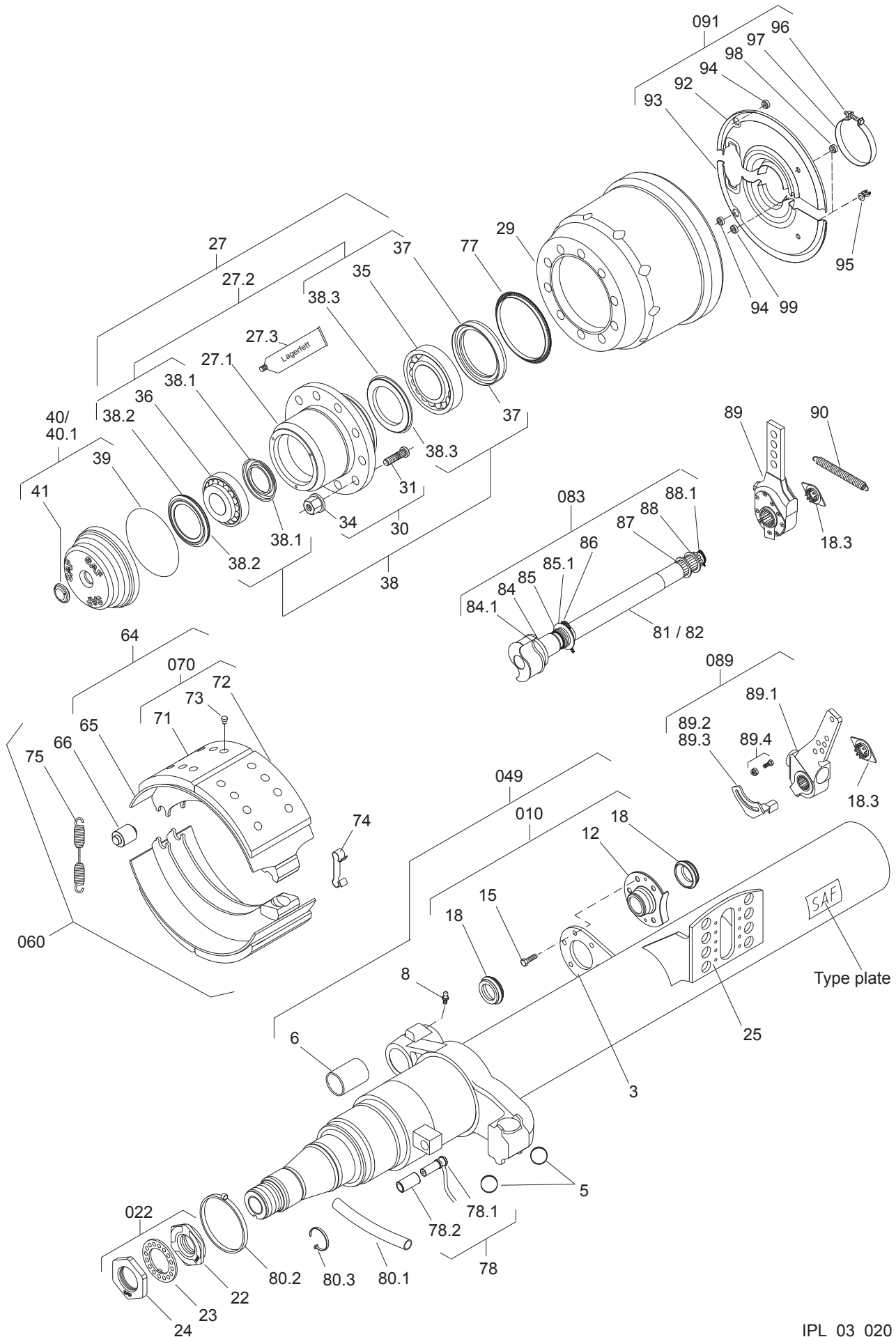
(Drum brake 367x200/180 - dual wheels)

SAF Holland

Item	Part Number	Qty	Description
1	See type plate	1	Axle beam assembly (See Ident. No. on the type plate)
4	4 337 2028 00	2	ABS Protection plug
4.1	4 337 2029 00	2	ABS cable plug (inside of spindle)
5	4 199 1002 00	4	Anchor ball - 40mm
6	4 230 0180 00	2	Cam bronze bush Φ 50/46x40
8	4 201 0026 00	2	Grease nipple - M8x36
12	3 230 1002 04	2	Camshaft bearing with 12.1 & 13
15	4 343 1022 88	12	Hex bolt - M8x30
16	4 141 0001 00	12	Spring washer - A8
17	4 342 0013 80	12	Hex nut - M8
18	4 131 0008 00	4	Camshaft bellows
18.3	4 187 0010 00	2	Wear indicator
19	4 315 0060 00	2	Axle nut lock O-Ring Φ 96x3
20	4 315 0066 00	2	Spindle O-Ring Φ 90x2.5
22	1 011 0076 00	1	Hub nut RH-thread - M100x2 / SW140
22.1	1 011 0077 00	1	Hub nut LH-thread - M100x2 / SW140
27	3 307 3010 00	2	Hub-unit - Dual steel wh. 8x275PCD - (incl. 27.1, 35, 36, 36.1, 38.1 & 38.2)
27	3 307 3013 00	2	Hub-unit - Dual alloy wh. 8x275PCD - (incl. 27.1, 35, 36, 36.1, 38.1 & 38.2)
27.2	3 434 3011 00	2	Hub-Bearing repl. Kit - (incl. 20, 27.3, 35, 36, 36.1 & 38)
27.3	5 387 0011 05	2	Bearing grease
29	1 064 0277 00	2	Brake drum - SNK367x200 - 8x275PCD
29	1 064 0280 00	2	Brake drum - SNK367x180 - 8x275PCD
31	1 303 1075 12	16	Wheel bolt - Dual steel wheels - M22x1,5x 93
31	1 303 1112 10	16	Wheel bolt - Dual alloy wheels - M22x1,5x 112
34	4 247 3012 01	16	Wheel nut - M22x1,5 x27
38	3 434 3013 00	2	Hub seal kit - (incl. 20, 27.3, 36.1, 38.1 & 38.2)
39	4 315 0061 00	2	Hub cap O-Ring Φ 158x4
40	3 304 0079 01	2	Hub cap assembly without ABS pole wheel - (incl. 39-41)
40.1	5 304 0090 00	2	Hub cap assembly with ABS pole wheel - 90 - (incl. 39-41)
41	4 337 2026 02	2	Plug
049	3 434 3642 00	1	Camshaft bushing repair kit - (incl. 6/6.2, 010, 18.3, 19-20, 39, 84-88.1 & 90)
64	3 055 0128 00	4	Brake shoe assembly with linings - SNK367x200
65	3 054 0128 00	4	Brake shoe assembly without linings - SNK367x200 - (incl. 66)
66	1 265 0019 00	4	Cam roller
070	3 057 3970 00	1	Brake lining kit - (incl. 71-73) - SNK367x200
070	3 057 3168 00	1	Brake lining kit - (incl. 71-73) - SNK367x180
73	3 267 0007 64	1	Rivet kit
74	1 151 0008 00	2	Retaining clamp
75	1 447 0058 01	2	Return spring
76	4 189 0071 00	2	Sensor mount bracket
76.2	4 343 2067 00	4	Sensor mount screw M6x12 (self tapping)
78	3 029 0232 00	2	ABV kit (incl. Renolit Paste)
81	2 262 1109 02	1	Camshaft LH - 669mm
82	2 262 1108 02	1	Camshaft RH - 669mm
083	3 317 0016 00	2	Camshaft replacement kit - (incl. 85-88.1 & 18.3)
89	2 175 0294 00	2	Slack adjuster
89	3 434 3502 02	1	Auto-Slack adjuster kit - (incl. 89.1-89.3 & 18.3)
90	1 447 0171 00	2	Return spring
91	3 005 0171 00	2	Dust cover pair - (incl. 92-94 & 96-99)
Tools	1 012 0024 00	1	Hub nut socket (SW 140 mm)
	4 434 3822 00	1	Universal hub puller
	4 387 0015 06	1	SAF fitting paste (to be applied on spindles)



Item	Part Number	Qty	Description
1	See type plate	1	Axle beam assembly (See Ident. No. on the type plate)
4	4 337 2028 00	2	ABS Protection plug
4.1	4 337 2029 00	2	ABS cable plug (inside of spindle)
5	4 199 1002 00	4	Anchor ball - 40mm
06	3 268 0050 00	2	Cam bush unit - SNK420/367 - (incl. 6 & 6.2)
6.1	4 051 7001 10	8	Locating bolt - M8x25
010	3 268 0047 00	2	Camshaft bush & fixing kit - (incl. 12-18)
18.3	4 187 0010 00	2	Wear indicator
19	4 315 0060 00	2	Axle nut lock O-Ring Φ 96x3
20	4 315 0066 00	2	Spindle O-Ring Φ 90x2.5
22	1 011 0076 00	1	Hub nut RH-thread - M100x2 / SW140
22.1	1 011 0077 00	1	Hub nut LH-thread - M100x2 / SW140
27	3 307 3010 00	2	Hub-unit - Dual steel wh. 8x275PCD - (incl. 27.1, 35, 36, 36.1, 38.1 & 38.2)
27	3 307 3013 00	2	Hub-unit - Dual alloy wh. 8x275PCD - (incl. 27.1, 35, 36, 36.1, 38.1 & 38.2)
27.2	3 434 3011 00	2	Hub-Bearing repl. Kit - (incl. 20, 27.3, 35, 36, 36.1 & 38)
27.3	5 387 0011 05	2	Bearing grease
29	1 064 0277 00	2	Brake drum - SNK367x200 - 8x275PCD
31	1 303 1075 12	16	Wheel bolt -Dual steel wheels - M22x1,5x 93
31	1 303 1112 10	16	Wheel bolt -Dual alloy wheels - M22x1,5x 112
34	4 247 3012 01	16	Wheel nut - M22x1,5 x27
38	3 434 3013 00	2	Hub seal kit - (incl. 20, 27.3, 36.1, 38.1 & 38.2)
39	4 315 0061 00	2	Hub cap O-Ring Φ 158x4
40	3 304 0079 01	2	Hub cap assembly without ABS pole wheel - (incl. 39-41)
40.1	5 304 0090 00	2	Hub cap assembly with ABS pole wheel - 90 - (incl. 39-41)
41	4 337 2026 02	2	Plug
049	3 434 3642 00	1	Camshaft bushing repair kit - (incl. 6/6.2, 010, 18.3, 19-20, 39, 84-88.1 & 90)
64	3 055 0128 00	4	Brake shoe assembly with linings - SNK367x200
65	3 054 0128 00	4	Brake shoe assembly without linings - SNK367x200 - (incl. 66)
66	1 265 0019 00	4	Cam roller
070	3 057 3970 00	1	Brake lining kit - (incl. 71-73) - SNK367x200
74	1 151 0008 00	2	Retaining clamp
75	1 447 0058 01	2	Return spring
76	4 189 0071 00	2	Sensor mount bracket
76.2	4 343 2067 00	4	Sensor mount screw M6x12 (self tapping)
81	2 262 1109 02	1	Camshaft LH - 669mm
82	2 262 1108 02	1	Camshaft RH - 669mm
083	3 317 0016 00	2	Camshaft replacement kit - (incl. 85-88.1 & 18.3)
89	2 175 0294 00	2	Slack adjuster
89	3 434 3502 02	1	Auto-Slack adjuster kit - (incl. 89.1-89.3 & 18.3)
90	1 447 0025 02	2	Return spring
91	3 005 0171 00	2	Dust cover pair - (incl. 92-94 & 96-99)
95	4 189 0044 00	2	Cable clip
Tools	1 012 0024 00	1	Hub nut socket (SW 140 mm)
	4 434 3822 00	1	Universal hub puller
	4 387 0015 06	1	SAF fitting paste (to be applied on spindles)

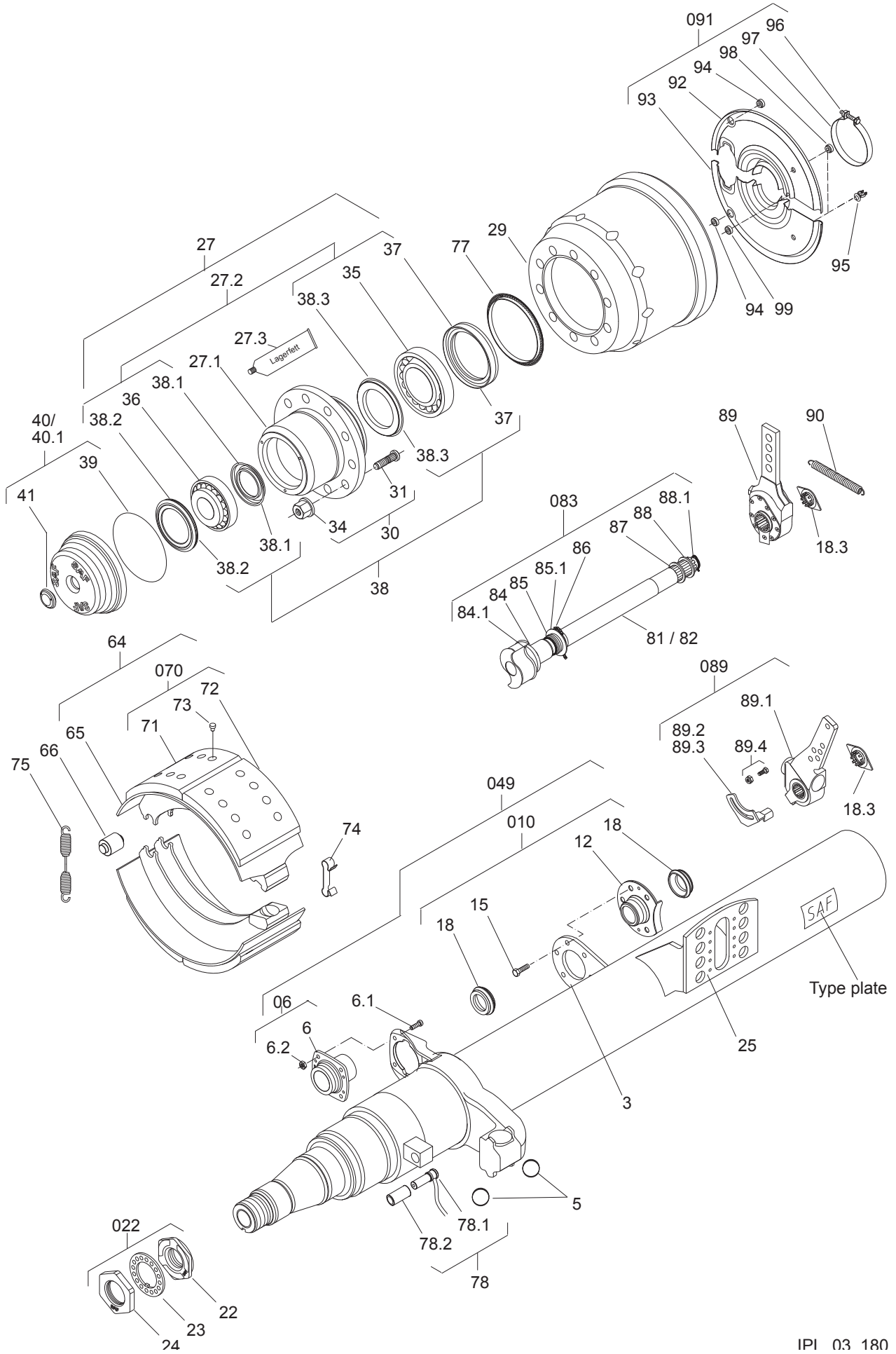


SK RZ 9030 axle

(Drum brake 300x200 - 10 stud 225 PCD - dual wheels)

SAF *Holland*

Item	Part Number	Qty	Description
1	See type plate	1	Axle beam assembly (See Ident. No. on the type plate)
5	4 199 1002 00	4	Anchor ball 40mm
6	4 230 0180 00	2	Cam bronze bush Φ 50/46x40
8	4 201 0001 00	4	Grease nipple AM 8x1 - 16mm lg.
010	3 268 0047 00	1	Camshaft bearing kit
18	4 131 0008 00	4	Camshaft bellows
18.3	4 187 0010 00	2	Wear indicator
022	3 011 0040 01	2	Axle nut kit
22	1 011 0040 02	2	Inner axle nut - M56x2, Socket 85
23	1 345 0008 01	2	Retaining washer
24	4 011 0039 01	2	Outer axle nut - M56x2 Socket 85
27	3 307 2056 00	2	Hub unit assembly - 10x225PCD
27.2	3 434 3016 00	2	Bearing kit (incl. Pos. 27.3, 35, 36, 37 & 38.1 - 38.3)
29	1 064 0273 00	2	Brake drum - Φ 300x200 - 10x225PCD
31	1 303 1075 12	20	Wheel bolt - M22x1,5x 93
34	4 247 3012 01	20	Wheel nut - M22x1,5 x27
35	4 200 1006 00	2	Inner wheel bearing 218 248/210
36	4 200 0060 00	2	Outer wheel bearing 33213
37	4 373 0035 01	2	Hub seal
38	3 434 3017 00	1	Seal kit (incl. Pos. 27.3, 37 & 38.1-38.3)
39	4 315 0064 00	2	O-Ring - Φ 148x4
40	3 304 0086 00	2	Hub cap assy - (incl. Pos. 39 & 41)
41	4 337 2026 02	2	Protection plug
060	3 434 3655 00	1	Brake Kit SNK 300x200 (incl. 64, 74 & 75)
64	3 055 0129 01	4	Brake shoe assembly with linings
65	3 054 0129 01	4	Brake shoe without linings (incl. 66)
66	1 265 0019 00	4	Cam-roller
070	3 057 3924 00	1	Brake lining kit (incl. 71-73)
74	1 151 0013 00	2	Retaining clamp
75	1 447 0060 00	2	Return spring
81	2 262 1501 00	1	Camshaft LH - 662.5mm long
82	2 262 1502 00	1	Camshaft RH - 662.5mm long
083	3 317 0016 00	2	Camshaft kit (incl. 84-88.1 & 18.3)
89	2 175 0294 00	2	Slack adjuster
089	3 434 3502 02	1	Auto-Slack adjuster kit (incl. 89.1-89.4 & 18.3)
90	1 447 0037 00	2	Return spring
091	3 005 0161 00	2	Dust cover kit (incl. 92-94 & 96-99)
95	4 189 0044 00	2	Cable clip
Tools	4 434 3828 00	1	Hub nut socket
	4 434 3822 00	1	Universal hub puller



SK RZ 12342/18 axle

(Drum brake 420x180 - 10 stud 285 PCD - dual wheels)

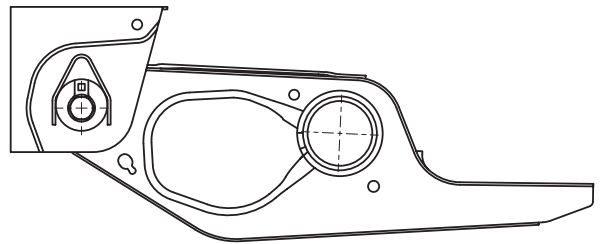
SAF Holland

Item	Part Number	Qty	Description	Item	Part Number	Qty	Description
1	See type plate	1	Axle beam assembly	89.3	4 018 0064 01	1	Anchor bracket right
3	1 043 1013 00	2	Spherical mounting plate (SNK420)	89.4	3 341 1022 00	2	Screw assembly(M8x30)
5	4 199 1002 00	4	Ball (Φ40)	90	1 447 0036 00	2	Return spring (Φ22,5x2,5x185)
6		2	Compact cam bearing anchor bracket (SNK420/367)	091	3 005 0173 00	2	Dust shield assembly
06	3 268 0050 00	2	Camshaft bearing assembly	95	4 189 0044 00	2	Cable clip
6.1	4 051 7001 10	8	Bolt (M8x25)				
6.2	4 247 4042 10	8	Locknut (M8-10)				
010	3 268 0047 00	2	Camshaft bearing assembly (Pos. 12, 15, 18)				
12		2	Camshaft bearing				
15	4 343 2912 01	10	Screw (M8x22-KL90)				
18	4 131 0008 00	4	Bellow (Φ60/36, 6x17)				
18.3	4 187 0010 00	2	Wearing gauge				
022	3 011 0040 01	2	Axle nut (M56x2/SW85)				
22	1 011 0040 02	2	Axle nut with lock bolt (M56x2/14,5/SW85)				
23	1 345 0008 01	2	Locking plate (Φ93/TK74x4,75)				
24	4 011 0039 01	2	Axle nut (M56x2/12H/SW85)				
27	3 307 3039 00	2	Hub unit (10x285.75PCD)				
27	3 307 3035 00	2	Hub unit (10x335PCD)				
27.3	5 387 0011 05	2	Grease (RENOLIT LX-PEP 2/230g)				
29	1 064 0298 00	2	Brake drum (Φ420x180-10x285.75PCD)				
29	1 064 0260 02	2	Brake drum (Φ420x180-10x335PCD)				
30	3 302 1145 00	20	Wheel bolt assembly (M22x1, 5x31h SW32)				
31	1 303 1112 10	20	Wheel bolt (M22x1 5x1/2)				
34	4 247 3012 01	20	Wheel bolt nut (M22x1, 5x27H/SW32)				
35	4 200 1006 00	2	Roller bearing (KHM218248/HM218210)				
36	4 200 0060 00	2	Roller bearing (33213 65/120x41)				
37	4 373 0035 01	2	Hub seal				
38	3 434 3017 00	2	Repair kit grease change (Pos. 27.3, 37, 38.1, 38.2, 38.3)				
38.1	1 337 0040 00	2	Protecting cap (Φ106/66x15)				
38.2	1 092 2001 00	2	Sealing ring- outside (Φ127/86x12)				
38.3	1 092 2002 00	2	Sealing ring- inside (Φ143/95x9)				
39	4 315 0064 00	2	O-ring (Φ148x4)				
40	3 304 0086 00	2	Hub cap assembly (Pos. 39, 40, 41)				
N/A	1 304 0086 00	2	Hub cap				
41	4 337 2026 02	2	Plug				
049	3 434 3642 00	1	Repair kit camshaft bearing				
060	3 434 3653 00	1	Shoe kit (SNK420x180)				
64	3 055 0120 00	4	Brake shoe assembly with linings				
65	3 054 0120 00	4	Brake shoe assembly without linings				
66	1 265 0019 0	4	Cam roller (Φ36, 2x53)				
070	3 057 3960 00	1	Brake lining kit (SNK420x180 - Pos. 71-73)				
71		4	Brake lining (SNK420x180)				
72		4	Brake lining (SNK420/180)				
74	1 151 0008 00	2	Retaining clamp (SNK367/420)				
75	1 447 0058 01	2	Return spring (Φ32, 8x232)				
76	1 189 0011 01	2	ABS sensor bracket (4kt30x33)				
77	4 029 1001 01	2	Exciter ring (100 teeth)				
78	3 029 0231 00	2	ABS kit (Pos. 78.1, 78.2)				
78.1	3 029 1002 90	2	Sensor- Modul-				
78.2	4 029 1013 00	2	Clamping bush				
81	2 262 1114 02	1	Camshaft right- 698mm				
82	2 262 1115 02	1	Camshaft left- 698mm				
083	3 317 0016 00	2	Replacement kit- camshaft				
089	3 434 3502 02	2	Automatic slack adjuster assembly (S-ABA)				
89.1	4 175 0249 00	2	Automatic slack adjuster				
89.2	4 018 0063 01	1	Anchor bracket left				

Intradisc



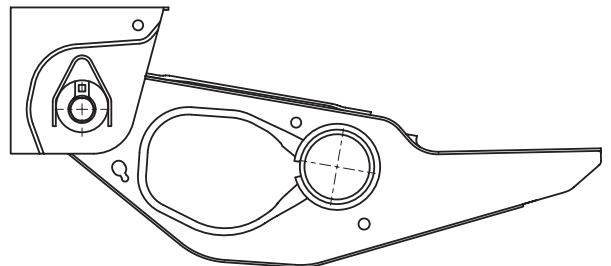
IU - Underslung beam



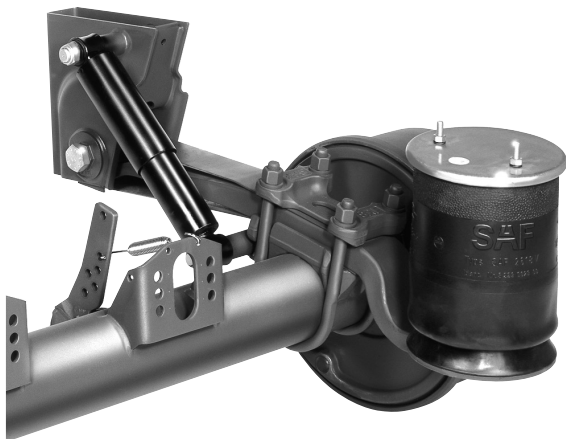
Intradrum

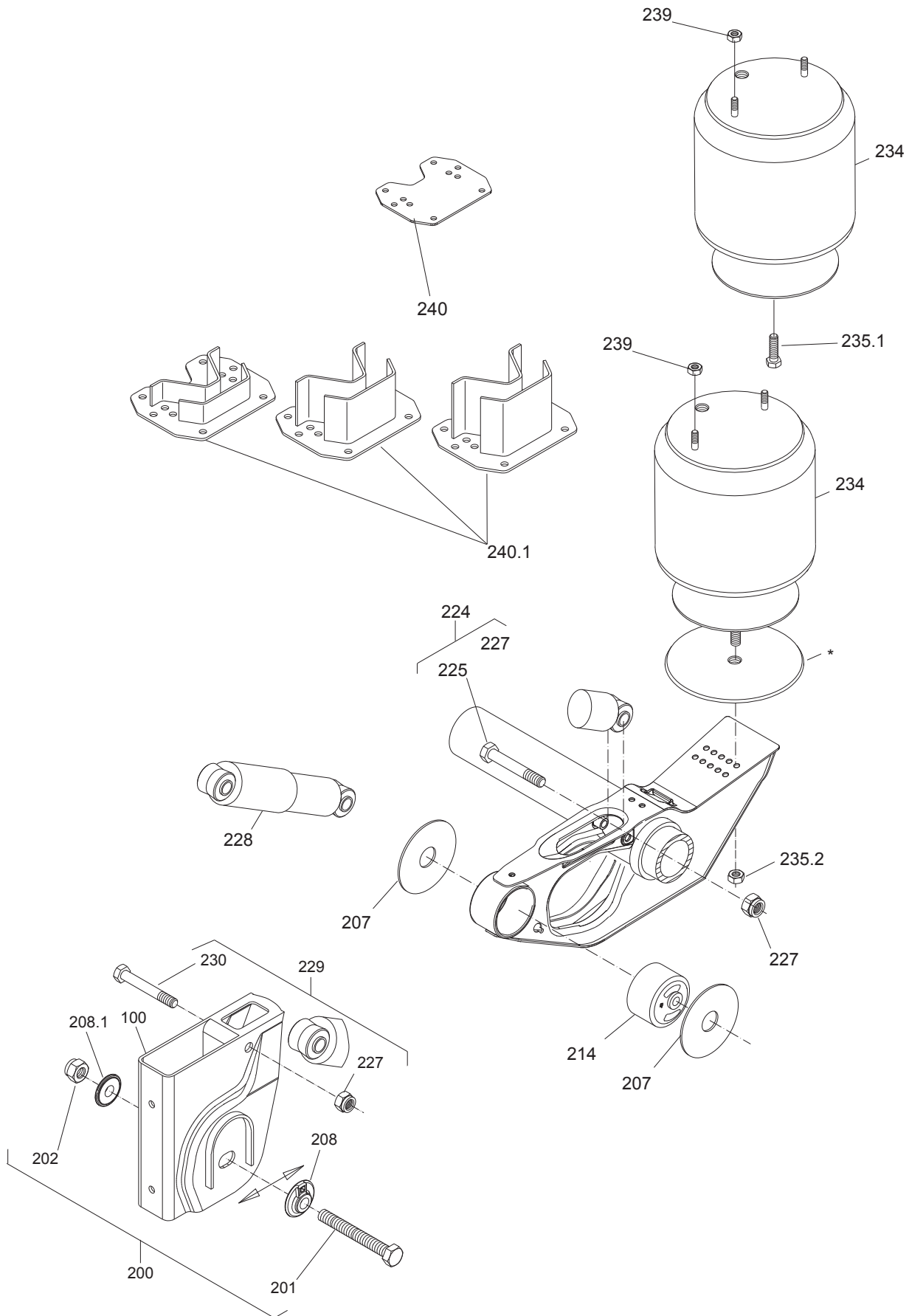


IO - Overslung beam

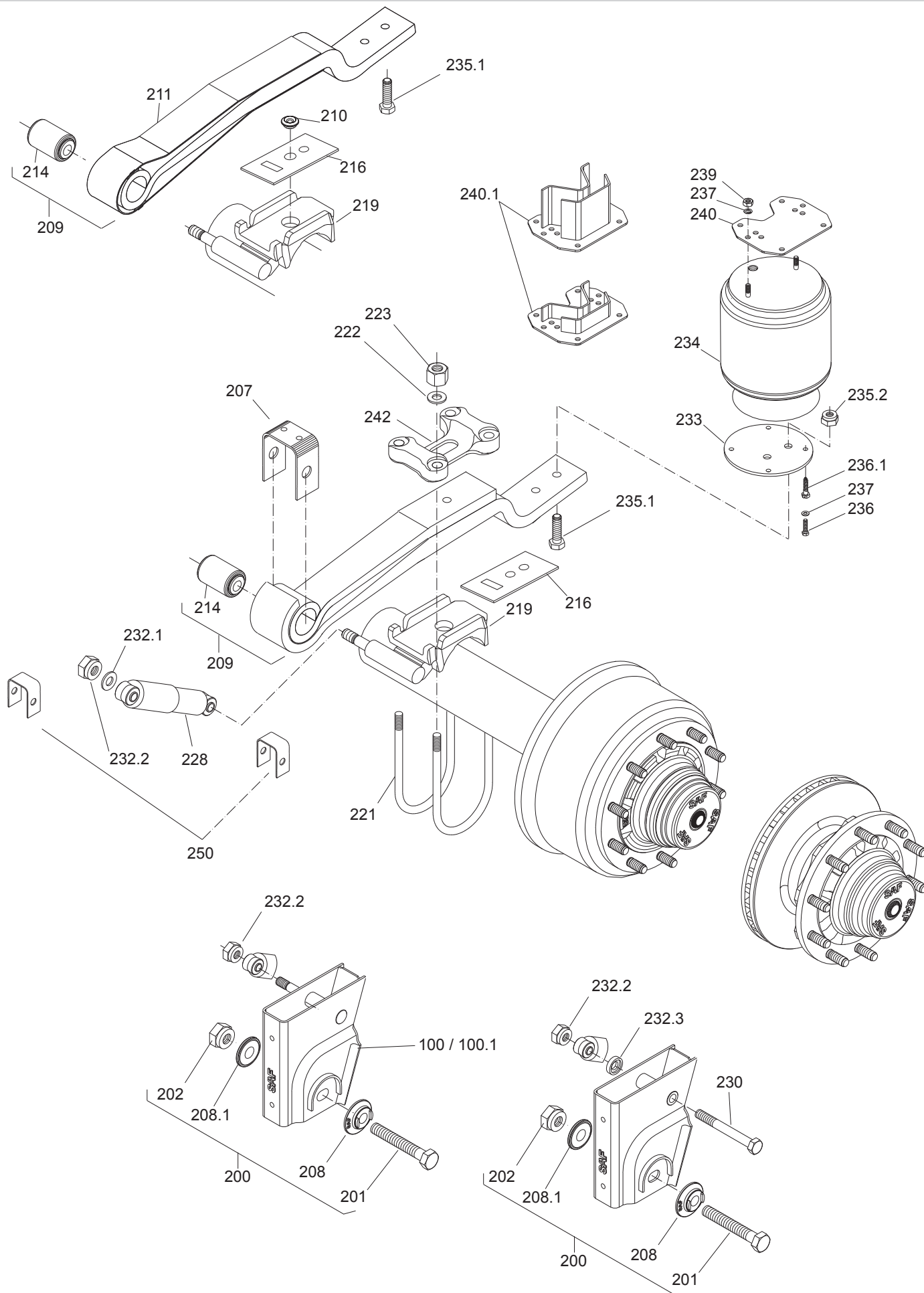


MODUL

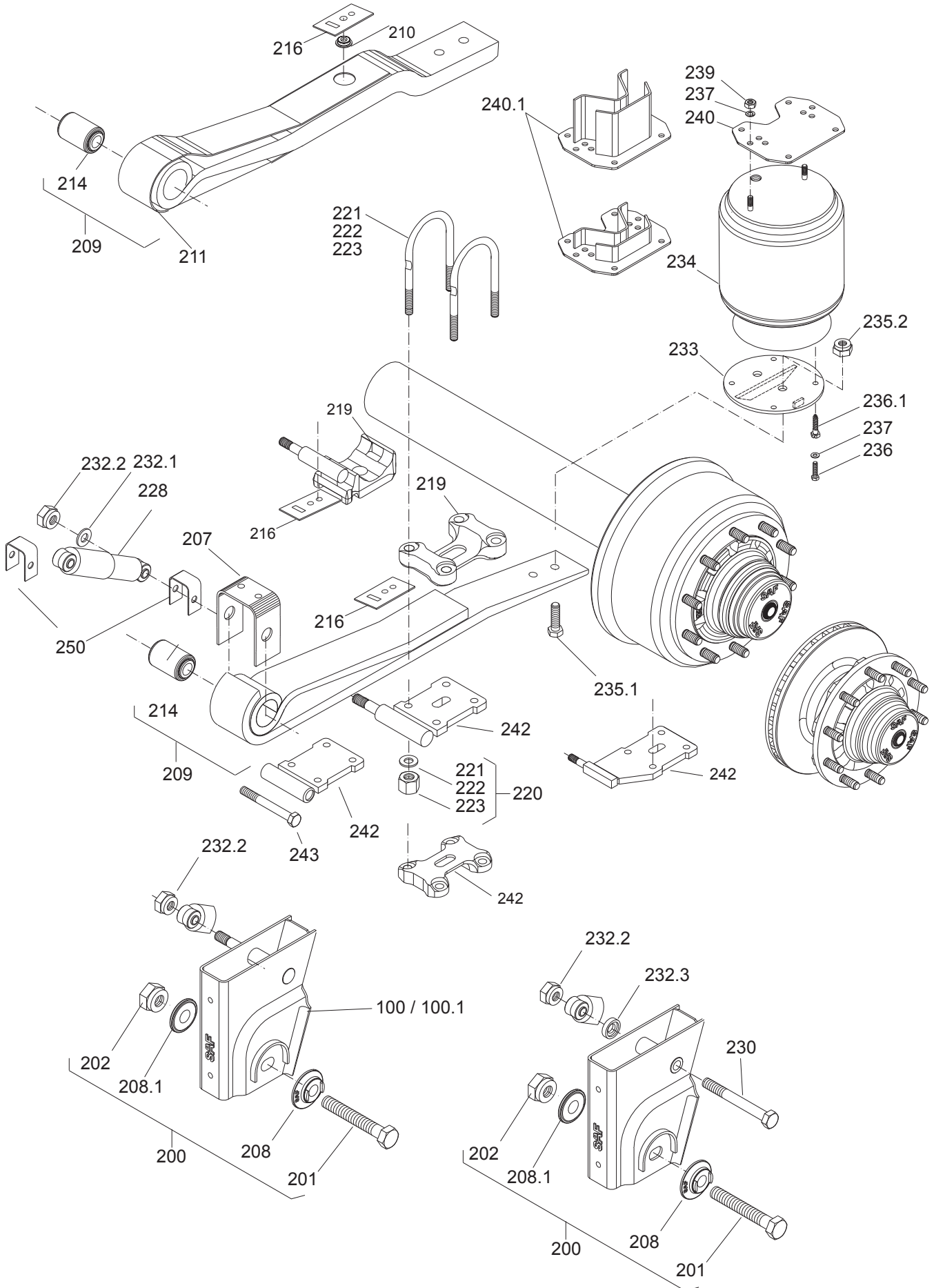




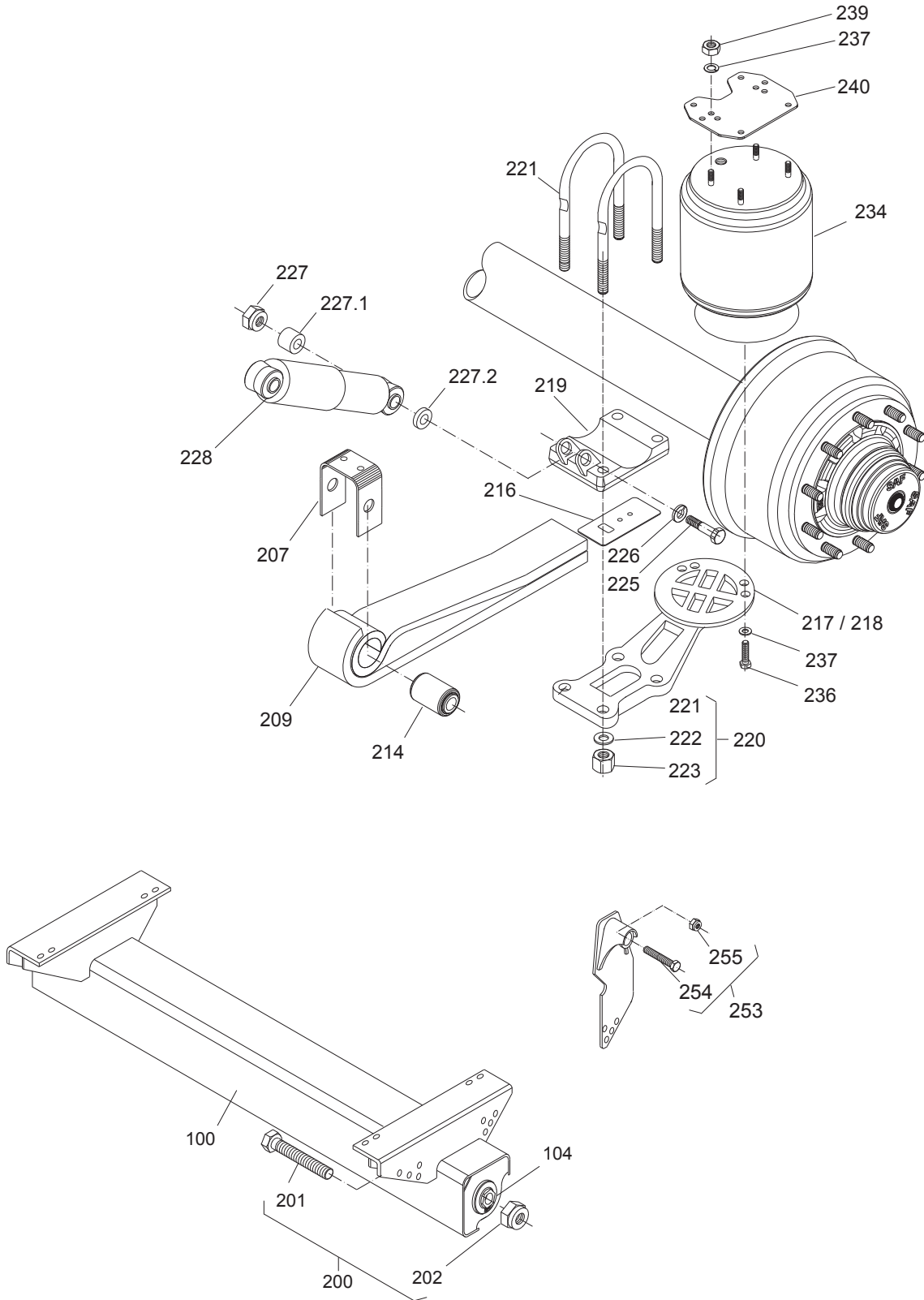
Item	Part Number	Qty	Description	
100	2 183 0825 00	2	Intra hanger - steel - 200H	
100	2 183 0826 00	2	Intra hanger - steel - 250H	
100	2 183 0827 00	2	Intra hanger - steel - 300H	
100	2 183 0828 00	2	Intra hanger - steel - 350H	
100	2 183 0829 00	2	Intra hanger - alloy - 200H	
100	2 183 0830 00	2	Intra hanger - alloy - 250H	
100	2 183 0831 00	2	Intra hanger - alloy - 300H	
100	2 183 0832 00	2	Intra hanger - alloy - 350H	
100	2 291 0426 00	1	Intra cross member - self steer - 200H	
100	2 291 0423 00	1	Intra cross member - self steer - 250H	
100	2 291 0428 00	1	Intra cross member - self steer - 300H	
200	3 341 1048 19	2	Pivot bolt kit (incl. 201 & 202)	
201	4 343 1048 88	2	Pivot bolt M30x205 - suits steel hanger	
201	4 343 1053 88	2	Pivot bolt M30x240 - suits alloy hanger	
202	4 247 4022 80	2	Lock nut M30	
207	4 331 5029 00	4	Wear pad - plastic	
208	1 123 0001 01	2	Alignment washer - eccentric	
208.1	1 101 2001 00	2	Washer	
214	4 177 3028 00	2	Pivot bush	
224	3 341 2802 10	2	Shock bolt kit - bottom (incl. 225 & 227)	
225	4 343 2802 10	2	Shock bolt - M20x155 - bottom	
227	4 247 4044 10	4	Nut M20 - flanged	
228	2 376 0079 01	2	Shock absorber - standard	Note/Alt. No SUPERSEDES 2 376 0070 01
228	2 376 0080 01	2	Shock absorber - standard	SUPERSEDES 2 376 0071 01
228	2 376 0081 01	2	Shock absorber - standard	SUPERSEDES 2 376 0072 01
228	2 376 5070 00	2	Shock absorber - road friendly	
228	2 376 5071 00	2	Shock absorber - road friendly	
228	2 376 5072 00	2	Shock absorber - road friendly	
229	3 341 2803 10	2	Shock bolt kit- top - steel hanger (incl. 230 & 227)	
229	3 044 1054 00	2	Shock bolt kit- top - alloy hanger	
230	4 343 2803 10	2	Shock bolt - M20x125 - top - steel hanger	
230	4 343 2804 10	2	Shock bolt - M20x205 - top - alloy hanger	
N.A.	1 097 0008 00	4	Spacer washer - alloy hanger	
N.A.	1 331 0136 00	2	Flat washer - alloy hanger	
234	3 228 0033 00	2	Air bag - SAF 2619V - 300mm dia (incl. 235.2 & 239)	
234	3 228 0027 00	2	Air bag - SAF 2918V - 350mm dia - short	
234	3 228 1041 00	2	Air bag - SAF 2924V - 350mm dia - long	
235.1	4 343 1036 88	2	Hex bolt M16x40 (for SAF 0027 & 1041 bags)	
235.2	4 247 4007 80	2	Lock nut M16 (for SAF 0033 bags)	
N.A.	4 141 0006 00	2	Spring washer A12	
239	4 247 4047 10	4	Lock nut M12	
240	1 043 0261 01	2	Air bag plate 5mm - top	
240.1	2 237 0081 01	2	Air bag pedestal - 50mm	
240.1	2 237 0080 01	2	Air bag pedestal - 100mm	
240.1	2 237 0082 01	2	Air bag pedestal - 150mm	
* N.A.	1 284 6052 00	2	Air bag plate 5mm - bottom (for 60mm offset bags)	
Tools	1 012 0024 00	1	Hub nut socket (SW140mm)	
	4 434 3828 00	1	Hub nut socket (SW85mm) for NG axles	
	4 434 3822 00	1	Universal hub puller	
	3 434 3328 00	1	SAF universal toolbox (Wabco & Knorr calipers)	
	3 434 3326 00	1	3-D bush replacement tool	
	4 387 0015 06	1	SAF fitting paste (to be applied on spindles)	
	3 434 3327 00	1	SAF ratchet wrench	



Item	Part Number	Qty	Description	Note/Alt. No.
100	2 183 0751 00	1	Hanger - 250mm Pivot Height - LH	2 183 0745 00
100	2 183 0752 00	1	Hanger - 250mm Pivot Height - RH	2 183 0746 00
100	2 183 0753 00	1	Hanger - 290mm Pivot Height - LH	2 183 0747 00
100	2 183 0754 00	1	Hanger - 290mm Pivot Height - RH	2 183 0748 00
100	2 183 0755 00	1	Hanger - 355mm Pivot Height - LH	2 183 0749 00
100	2 183 0756 00	1	Hanger - 355mm Pivot Height - RH	2 183 0750 00
200	3 341 1048 19	2	Pivot Bolt Assy. (incl. Bolt M30x205 & Lock Nut M30)	
201	4 343 1048 88	2	Pivot Bolt M30x205	
202	4 247 4022 80	2	Lock Nut M30	
207	4 405 2071 00	2	U-Profile	
208	1 123 0001 01	2	Flanged Eccentric Washer	
208.1	1 101 2001 00	2	Flanged Washer	
209	3 155 1087 00	2	Trailing Arm Single-Leaf 51 mm (EN) (Incl. 211&214)	Supersedes { Single-Leaf 48mm (E) 3 155 1036 02 { Twin-Leaf 38/38mm (N) 3 155 1027 01
209	3 155 1035 01	2	Trailing Arm Twin-Leaf 43/43 mm (S) (Incl. 214)	
210	4 208 2001 00	2	Trust Block (for single-leaf tailing arm only)	
211	1 345 1005 02	2	Security Strap (for single-leaf tailing arm only)	
214	4 177 3010 00	2	Bush HD 68/30x104	
216	1 345 0030 00	2	Locking Plate 95x5x225 (suits single leaf trailing arm)	
216	1 345 0007 03	2	Locking Plate 95x5x225 (suits twin leaf trailing arm)	
219	2 010 0453 00	1	Spring Seat LH - suits axle Φ 127mm	
219	2 010 0454 00	1	Spring Seat RH - suits axle Φ 127mm	
219	2 010 0455 00	1	Spring Seat LH (with shock bolt stud for 146mm axle) - Drum-OLD	
219	2 010 0456 00	1	Spring Seat RH (with shock bolt stud for 146mm axle) - Drum-OLD	
219	2 010 0429 01	1	Spring Seat LH (with shock bolt stud for 146mm axle) - Disc/Drum	
219	2 010 0430 01	1	Spring Seat RH (with shock bolt stud for 146mm axle) - Disc/Drum	
221	1 402 0071 01	4	U-Bolt (M22x1.5 - 267lg - for single leaf arm and 127mm axle)	
221	1 402 0072 01	4	U-Bolt (M22x1.5 - 304lg - for twin leaf arm and 127mm axle)	
221	1 402 0069 01	4	U-Bolt (M22x1.5 - 307lg - for twin leaf arm and 133mm axle)	
221	1 402 0064 01	4	U-Bolt (M22x1.5 - 285.5lg - for single leaf arm and 146mm axle)	
221	1 402 0065 01	4	U-Bolt (M22x1.5 - 321.5lg - for twin leaf arm and 146mm axle)	
222	1 331 0204 00	8	U-Bolt Washer - 39/22.5x3	
222	1 331 0177 00	8	U-Bolt Washer - 40/22x6	
223	4 342 0047 10	8	U-Bolt Nut M22x1.5	
228	2 376 0026 00	2	Shock Absorber - Standard	
228	2 376 5026 00	2	Shock Absorber - Road Friendly	
230	4 343 2034 88	2	Top Shock Bolt	
232.2	4 247 4040 80	4	Lock Nut M24x2	
232.3	1 097 0011 00	2	Shock Washer	
233	1 043 0327 00	1	Air Bag Plate Φ 240x15 - 55mm Offset - LH	
233	1 043 0328 00	1	Air Bag Plate Φ 240x15 - 55mm Offset - RH	
233	2 043 0289 00	1	Air Bag Plate Φ 240x15 - 70mm Offset - LH	
233	2 043 0290 00	1	Air Bag Plate Φ 240x15 - 70mm Offset - RH	
234	3 229 0029 00	2	Air Bag SAF2618V (300mm DIA - without 236.1, 237 & 239)	
234	3 229 0027 00	2	Air Bag SAF2918V (350mm DIA - without 236, 237 & 239)	
234	3 229 0031 00	2	Air Bag SAF2923V (350mm DIA - long - without 236, 237 & 239)	
235.1	4 343 5008 88	4	Countersunk bolt M20x80	
235.2	4 247 4012 80	4	Lock Nut M20	
236	4 343 1007 88	6	Hex Bolt M12x30	
236.1	4 343 2037 00	6	Cut Screw 10x40	
237	4 141 0003 00	4	Spring Washer A12	
239	4 342 0004 60	4	Hex Nut M12	
240	1 043 0261 01	2	Air Bag Plate - 5mm	
240.1	2 237 0070 01	2	Air Bag Pedestal - 40mm	
240.1	2 237 0071 01	2	Air Bag Pedestal - 70mm	
240.1	2 237 0080 01	2	Air Bag Pedestal - 100mm	
240.1	2 237 0072 01	2	Air Bag Pedestal - 130mm	
242	1 350 0088 10	2	Clamping Plate for 127/133mm axle	
242	1 350 0086 10	2	Clamping Plate for 146mm axle	
250	XBAS 0003	4	Shock Strap Bracket (2mm thick)	

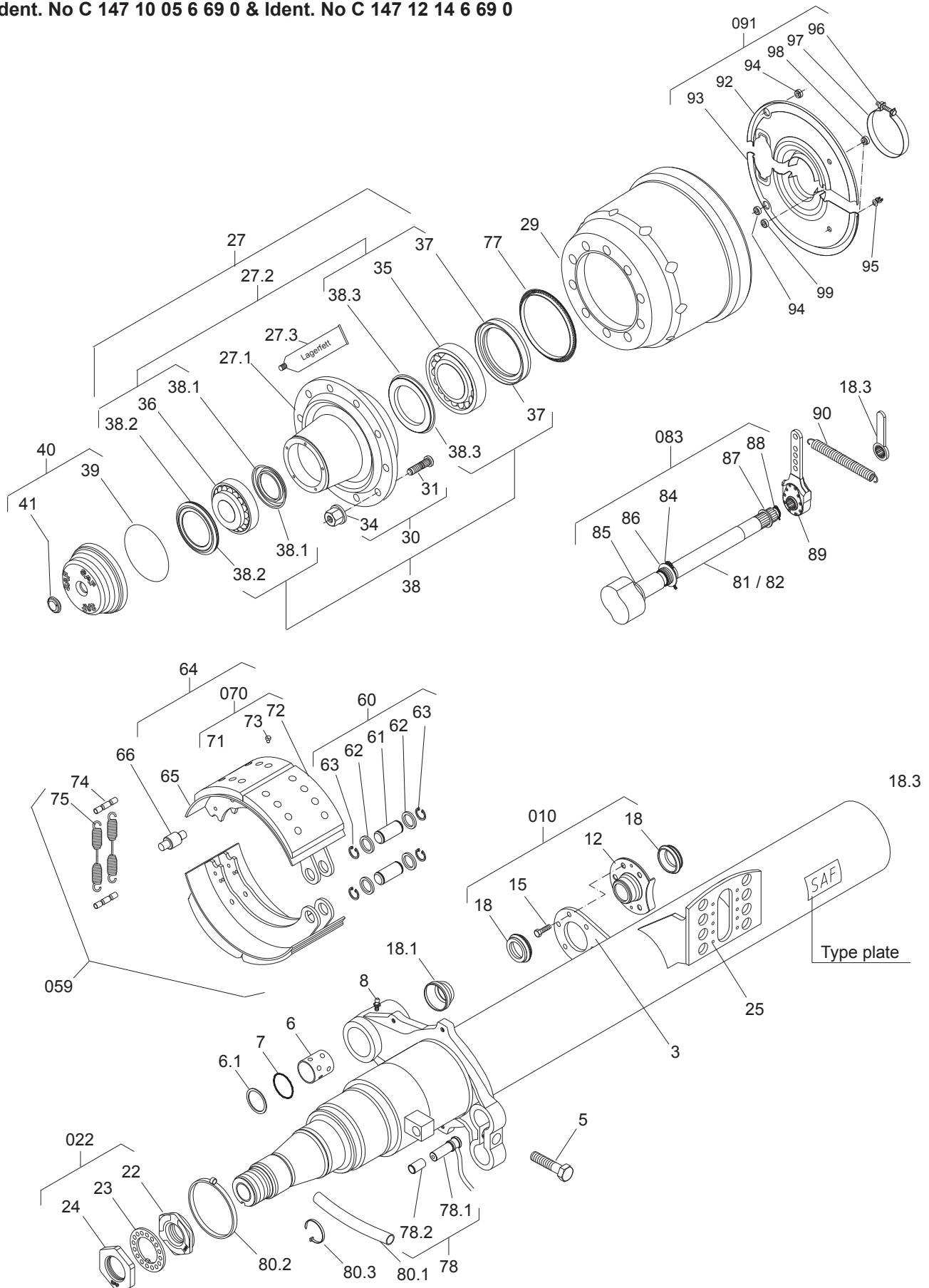


Item	Part Number	Qty	Description	Note/Alt. No.
100	2 183 0751 00	1	Hanger - 250mm Pivot Height - LH	2 183 0745 00
100	2 183 0752 00	1	Hanger - 250mm Pivot Height - RH	2 183 0746 00
100	2 183 0753 00	1	Hanger - 290mm Pivot Height - LH	2 183 0747 00
100	2 183 0754 00	1	Hanger - 290mm Pivot Height - RH	2 183 0748 00
100	2 183 0755 00	1	Hanger - 355mm Pivot Height - LH	2 183 0749 00
100	2 183 0756 00	1	Hanger - 355mm Pivot Height - RH	2 183 0750 00
200	3 341 1048 19	2	Pivot Bolt Assy. (incl. Bolt M30x205 & Lock Nut M30)	
201	4 343 1048 88	2	Pivot Bolt M30x205	
202	4 247 4022 80	2	Lock Nut M30	
207	4 405 2071 00	2	U-Profile	
208	1 123 0001 01	2	Flanged Eccentric Washer	
208.1	1 101 2001 00	2	Flanged Washer	
209	3 155 1086 00	2	Trailing Arm Single-Leaf 51 mm (EN) (Incl. 211&214)	Supersedes Single-Leaf 48mm (E) 3 155 1044 01 Twin-Leaf 38/38mm (N) 3 155 1046 01
209	3 155 1048 00	2	Trailing Arm Twin-Leaf 43/43 mm (S) (Incl. 214)	
210	4 208 2001 00	2	Trust Block (for single-leaf trailing arm only)	
211	1 345 1009 01	2	Security Strap (for single-leaf trailing arm only)	
214	4 177 3010 00	2	Bush HD 68/30x104	
216	1 345 0030 00	2	Locking Plate 95x5x225 (suits single leaf trailing arm)	
216	1 345 0007 03	2	Locking Plate 95x5x225 (suits twin leaf trailing arm)	
219	1 010 0445 00	2	Spring Seat (without shock bolt stud for 127mm axle)	
219	1 010 0372 00	2	Spring Seat (without shock bolt stud for 133mm axle - Steer)	
219	1 010 0368 02	2	Spring Seat (without shock bolt stud for 146mm axle) - Disc	
219	1 010 0412 02	2	Spring Seat (without shock bolt stud for 146mm axle) - Old Style	
219	2 010 0437 01	1	Spring Seat LH (with shock bolt stud for 146mm axle) - Disc	
219	2 010 0438 01	1	Spring Seat RH (with shock bolt stud for 146mm axle) - Disc	
219	2 010 0457 00	1	Spring Seat LH (with shock bolt stud for 146mm axle) - Drum	
219	2 010 0458 00	1	Spring Seat RH (with shock bolt stud for 146mm axle) - Drum	
219	2 010 0453 00	1	Spring Seat LH (with shock bolt stud for 127mm axle) - U Susp Shock above the trailing arm	
219	2 010 0454 00	1	Spring Seat RH (with shock bolt stud for 127mm axle) - U Susp Shock above the trailing arm	
221	1 402 0071 01	4	U-Bolt (M22x1.5 - 267lg - for single leaf arm and 127mm axle)	
221	1 402 0072 01	4	U-Bolt (M22x1.5 - 304lg - for twin leaf arm and 127mm axle)	
221	1 402 0069 01	4	U-Bolt (M22x1.5 - 307lg - for twin leaf arm and 133mm axle)	
221	1 402 0064 01	4	U-Bolt (M22x1.5 - 285.5lg - for single leaf arm and 146mm axle)	
221	1 402 0065 01	4	U-Bolt (M22x1.5 - 321.5lg - for twin leaf arm and 146mm axle)	
221	1 402 0092 01	4	U-Bolt (M22x1.5 - 285.5lg - for single leaf arm and 146mm - 9019W/K axle)	
221	1 402 0091 01	4	U-Bolt (M22x1.5 - 321.5lg - for twin leaf arm and 146mm - 9019W/K axle)	
222	1 331 0204 00	8	U-Bolt Washer - 39/22.5x3	
222	1 331 0177 00	8	U-Bolt Washer - 40/22x6	
223	4 342 0047 10	8	U-Bolt Nut M22x1.5	
228	2 376 0027 00	2	Shock Absorber - Standard	
228	2 376 0030 00	2	Shock Absorber - Standard	
228	2 376 5030 00	2	Shock Absorber - Road Friendly	
228	2 376 0031 00	2	Shock Absorber - Standard	
228	2 376 5031 00	2	Shock Absorber - Road Friendly	
230	4 343 2034 88	2	Top Shock Bolt	
232.2	4 247 4040 80	4	Lock Nut M24x2	
232.3	1 097 0011 00	2	Shock Washer	
233	1 043 0327 00	1	Air Bag Plate Φ 240x15 - 55mm Offset - LH	
233	1 043 0328 00	1	Air Bag Plate Φ 240x15 - 55mm Offset - RH	
233	2 043 0289 00	1	Air Bag Plate Φ 240x15 - 70mm Offset - LH	
233	2 043 0290 00	1	Air Bag Plate Φ 240x15 - 70mm Offset - RH	
234	3 229 0029 00	2	Air Bag SAF2618V (300mm DIA - without 236.1, 237 & 239)	
234	3 229 0027 00	2	Air Bag SAF2918V (350mm DIA - without 236, 237 & 239)	
234	3 229 0031 00	2	Air Bag SAF2923V (350mm DIA - long - without 236, 237 & 239)	
235.1	4 343 5008 88	4	Countersunk bolt M20x80	
235.2	4 247 4012 80	4	Lock Nut M20	
236	4 343 1007 88	6	Hex Bolt M12x30	
236.1	4 343 2037 00	6	Cut Screw 10x40	
237	4 141 0003 00	4	Spring Washer A12	
239	4 342 0004 60	4	Hex Nut M12	
240	1 043 0261 01	2	Air Bag Plate - 5mm	
240.1	2 237 0070 01	2	Air Bag Pedestal - 40mm	
240.1	2 237 0071 01	2	Air Bag Pedestal - 70mm	
240.1	2 237 0080 01	2	Air Bag Pedestal - 100mm	
240.1	2 237 0072 01	2	Air Bag Pedestal - 130mm	
242	2 350 0095 01	1	Clamping Plate LH - (with shock bolt stud for 127mm axle)	
242	2 350 0096 01	1	Clamping Plate RH - (with shock bolt stud for 127mm axle)	
242	1 350 0088 00	2	Clamping Plate for 127/133mm axle	
242	1 350 0086 10	2	Clamping Plate for 146mm axle	
242	2 350 0097 01	1	Clamping Plate LH - (with shock bolt stud for 146mm axle) - Disc (U33)	
242	2 350 0098 01	1	Clamping Plate RH - (with shock bolt stud for 146mm axle) - Disc (U33)	
242	2 350 0126 00	2	Clamping Plate - (with shock bolt stud for 146mm axle) - Disc (U25)	
243	2501812	2	Bolt	
250	XBAS0003	4	Shock strap bracket (2mm thick)	



Item	Part Number	Qty	Description
100	2 291 0242 01	1	Crossmember (MAN M2000 - drum brake)
100	2 291 0470 00	1	Crossmember (MAN M2000 - disc brake)
100	2 291 0425 01	1	Crossmember (VOLVO - disc brake)
104	1 251 2003 00	4	Pivot flange
200	3 341 1048 19	2	Kit Pivot bolt & nut (incl. 201 & 202)
201	4 343 1048 88	2	Pivot Bolt M30x205
202	4 247 4022 80	2	Lock Nut M30
207	4 405 2071 00	2	U - Profile
209	3 155 1008 02	2	Trailing arm 43/43 & bush assy.
214	4 177 3010 00	2	Bush HD 68/30x104
216	1 345 0007 03	2	Locking Plate 95x5x225 (suits twin leaf trailing arm)
217	1 236 0009 00	1	Air bag carrier LH
218	1 236 0010 00	1	Air bag carrier RH
219	2 010 0209 02	1	Spring seat LH (MAN M2000 - drum brake)
219	2 010 0210 02	1	Spring seat RH (MAN M2000 - drum brake)
219	2 010 0490 00	2	Spring seat (MAN M2000 - disc brake)
219	2 010 0482 00	2	Spring seat (VOLVO - disc brake)
220	3 401 0073 00	4	U-Bolt Kit (incl. 221-223) - (MAN M2000 - drum brake)
220	3 401 0099 01	4	U-Bolt Kit (incl. 221-223) - (MAN M2000 - disc brake)
220	3 401 0081 00	4	U-Bolt Kit (incl. 221-223) - (VOLVO - disc brake)
221	1 402 0073 01	4	U-Bolt (M22x1.5 - 326lg - for twin leaf arm and 127mm axle)
221	1 402 0099 01	4	U-Bolt (M22x1.5 - 363.5lg - for twin leaf arm and 146mm axle)
221	1 402 0081 01	4	U-Bolt (M22x1.5 - 383.5lg - for twin leaf arm and 146mm axle)
222	1 331 0177 00	8	Spring washer
223	4 342 0047 10	8	U-Bolt Nut M22x1.5x25
225	4 343 0110 88	2	Bolt M20x110
226	4 348 1020 00	2	Washer
227	4 247 4012 80	2	Lock nut M20
227.1	1 095 1042 01	2	Spacers Φ 28/20x14
227.2	1 095 1043 01	2	Spacers Φ 28/20x4
228	2 376 0003 02	2	Shock absorber (MAN - drum & VOLVO - disc)
228	2 376 0016 00	2	Shock absorber (MAN - disc)
234	3 229 0035 00	2	Air bag SAF 2623V (MAN M2000 - disc & drum)
234	2 229 0003 00	2	Air bag 1T19E2 (VOLVO - disc)
236	4 343 2922 10	6	Bolt M12
239	4 247 4047 10	8	Lock nut M12
240	1 043 0261 01	2	Mounting plate upper
253	3 341 0122 19	2	Bolt-kit (incl. 254 & 255)
254	4 343 0122 88	2	Bolt 20x85
255	4 247 4012 80	2	Nut M20

Ident. No C 147 10 05 6 69 0 & Ident. No C 147 12 14 6 69 0



Ident. No C 147 10 05 6 69 0 & Ident. No C 147 12 14 6 69 0

Item	Part Number	Qty	Description
5	4 343 2904 00	2	Bolt M16, self locking
6	1 230 0106 04	2	Camshaft bronze bush
6.1	1 094 0034 00	2	Spacer ring
7	4 315 0048 00	2	O-Ring 38
8	4 201 0005 00	4	Grease nipple M10
010	3 268 0047 00	2	Camshaft bush & bearing kit (incl. 12-18)
12	3 268 0045 00	2	Camshaft bush unit
15	4 343 2912 01	10	Screw, self locking
18	4 131 0008 00	4	Rubber boot
18.1	1 173 3002 00	2	Rubber boot
18.3	4 187 0009 00	2	Wear indicator
022	3 011 0040 01	2	Axle nut kit (incl. 22-24)
22	1 011 0040 02	2	Inner axle nut - M56x2, Socket 85
23	1 345 0008 01	2	Retaining washer
24	4 011 0039 01	2	Outer axle nut - M56x2 Socket 85
27	3 307 3039 00	2	Hub assy - RZ 12242 - K2 - 10x285.75PCD
27.2	3 434 3016 00	2	Bearing kit (incl. Pos. 27.3, 35, 36, 37 & 38.1 - 38.3)
27.3	5 387 0011 05	2	Bearing grease
29	1 064 0305 00	2	Brake drum, 420x180 - 262 lg - 10x285.75PCD
30	3 302 1145 00	20	Wheel bolt & nut kit, incl. pos. 31&34
31	1 303 1112 10	20	Wheel bolt - 112 lg. - intermediate (for alloy & steel wheels)
34	4 247 3012 00	20	Wheel nut - M22x1.5 - 27lg - Socket 32
34	33272215	20	Wheel nut - M22x1.5 - 27lg - Socket 33
35	4 200 1006 00	2	Inner wheel bearing - 218 248/210
36	4 200 0060 00	2	Outer wheel bearing - 33213
37	4 373 0035 01	2	Hub seal
38	3 434 3017 00	1	Seal kit (incl. Pos. 27.3, 37 & 38.1-38.3)
38.1	1 337 0040 00	2	Sleeve - Φ 106x66x15
38.2	1 092 2001 00	2	Seal - Φ 127x86x12
38.3	1 092 2002 00	2	Seal - Φ 143x95x9
39	4 315 0064 00	2	O-Ring - Φ 148x4
40	3 304 0086 00	2	Hub cap assy - (incl. Pos. 39 & 41)
N.A.	1 304 0086 00	2	Hub Cap
41	4 337 2026 02	2	Plug
059	3 077 0223 00	2	Brake shoe/lining kit SNF 420x180 (incl. 60, 64 & 75)
60	3 213 0023 01	4	Anchor pin kit (incl. pos, 61-63)
61	1 214 0023 01	4	Anchor pin
62	1 331 0013 00	8	Washer
63	4 348 1004 00	8	Circlip

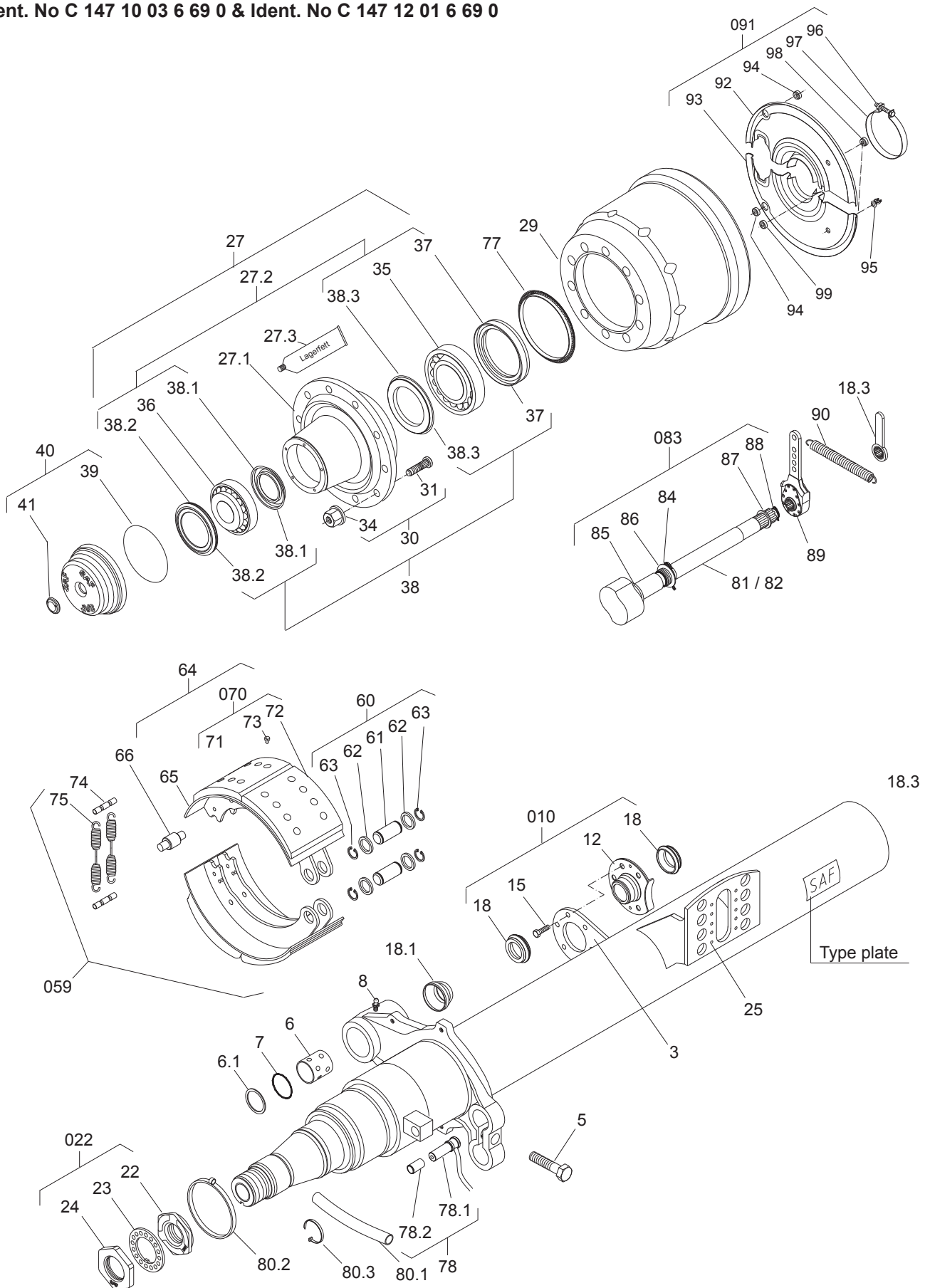
Ident. No C 147 10 05 6 69 0 & Ident. No C 147 12 14 6 69 0

Item	Part Number	Qty	Description
64	3 055 0133 00	4	Brake shoe assembly (with linings incl. pos. 65-74)
65	2 056 0120 00	4	Brake shoe - metal part
66	1 265 0021 00	4	Camshaft roller
070	3 057 3912 00	1	Brake lining kit (incl. pos. 71-73)
71 & 72	1 057 9912 00	8	Linings (OEM thickness of 17.5mm)
73	1 267 0007 00	1	Rivet kit (incl. 80ea of B8x15)
74	1 395 1005 00	4	Retaining pin
75	1 447 0038 00	4	Return spring
77	4 029 1031 00	2	Pole ring ABS, 100
078	3 029 0231 00	2	ABS Sensor kit (incl. sensor, sleeve & paste)
80.1	4 338 0010 00	2	Cable protecting hose
80.2	4 194 2018 00	2	Band clamp
80.3	1 194 4001 00	2	Fastener ring
81	2 262 0269 02	1	Camshaft LH, 668 lg
82	2 262 0270 02	1	Camshaft RH, 668 lg
083	3 317 0004 00	2	Camshaft installation replacement kit (incl. Pos. 84-88)
84	4 348 1006 00	2	Circlip
85	1 331 0056 00	2	Washer - $\Phi 60/38.2 \times 1.75$
86	1 133 1002 00	2	Spring washer
87	1 331 0015 00	12	Washer - $\Phi 51/38.8 \times 1.5$
88	4 348 1005 00	2	Circlip
89	2 175 0306 00	2	Manual Slack Adjuster ($\Phi 12.7$ mm holes)
90	1 447 0036 00	2	Return Spring
091	3 005 0219 00	2	Dust shield pair, incl. pos. 92-94 & 96-99
92	1 005 0219 00	2	Dust cover, LH
93	1 005 0220 00	2	Dust cover, RH
94	4 337 2008 01	4	Plug, lining inspection
95	4 189 0044 00	2	Cable clip
96	4 343 1075 88	2	Screw, M8x40
97	4 194 2025 00	2	Band clamp
98	4 337 2027 00	4	Plug
99	4 177 3018 00	2	Grommet

Axle RZ 12242/18C & RZ 10242/18C K2 Hub (10x335PCD)

SAF Holland

Ident. No C 147 10 03 6 69 0 & Ident. No C 147 12 01 6 69 0



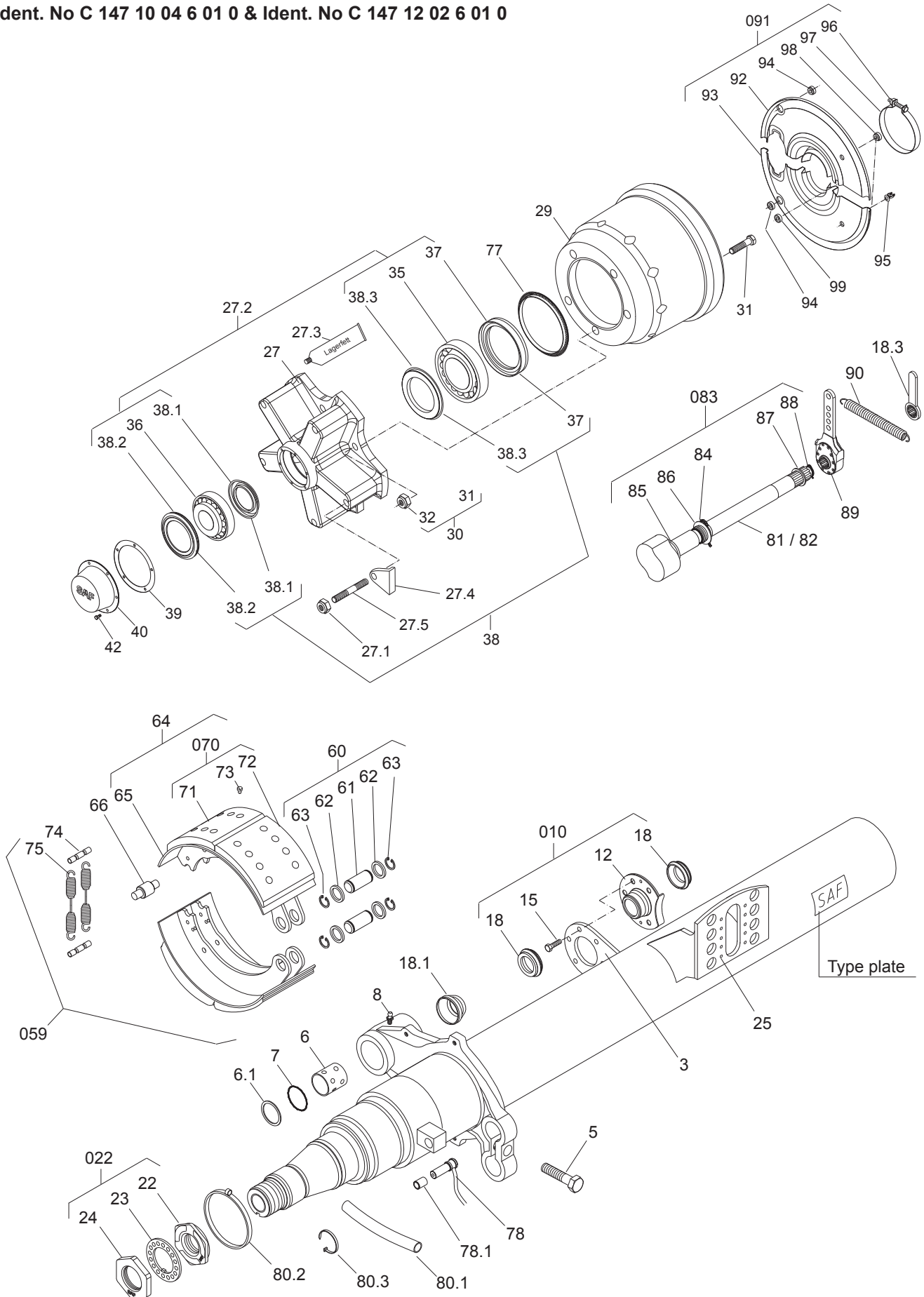
Ident. No C 147 10 03 6 69 0 & Ident. No C 147 12 01 6 69 0

Item	Part Number	Qty	Description
5	4 343 2904 00	2	Bolt M16, self locking
6	1 230 0106 04	2	Camshaft bronze bush
6.1	1 094 0034 00	2	Spacer ring 38
7	4 315 0048 00	2	O-Ring 38
8	4 201 0005 00	4	Grease nipple M10
010	3 268 0047 00	2	Camshaft bush & bearing kit (incl. 12-18)
12	3 268 0045 00	2	Camshaft bush unit
15	4 343 2912 01	10	Screw, self locking
18	4 131 0008 00	4	Rubber boot
18.1	1 173 3002 00	2	Rubber boot
18.3	4 187 0009 00	2	Wear Indicator
022	3 011 0040 01	2	Axle nut kit (incl. 22-24)
22	1 011 0040 02	2	Inner axle nut - M56x2, Socket 85
23	1 345 0008 01	2	Retaining washer
24	4 011 0039 01	2	Outer axle nut - M56x2 Socket 85
27	3 307 3035 00	2	Hub Assy. - RZ 12242 - K2 - 10x335PCD
27.2	3 434 3016 00	2	Bearing kit (incl. Pos. 27.3, 35, 36, 37 & 38.1 - 38.3)
27.3	5 387 0011 05	2	Bearing grease
29	1 064 0304 00	2	Brake drum, 420x180 - 262 lg - 10x335PCD
30	3 302 1145 00	20	Wheel bolt & nut kit, incl. pos. 31&34
31	1 303 1112 10	20	Wheel bolt - 112 lg. - intermediate (for alloy & steel wheels)
34	4 247 3012 01	20	Wheel nut - M22x1.5 - 27lg - Socket 32
34	33272215	20	Wheel nut - M22x1.5 - 27lg - Socket 33
35	4 200 1006 00	2	Inner wheel bearing 218 248/210
36	4 200 0060 00	2	Outer wheel bearing 33213
37	4 373 0035 01	2	Hub seal
38	3 434 3017 00	1	Seal kit (incl. Pos. 27.3, 37 & 38.1-38.3)
38.1	1 337 0040 00	2	Sleeve - Φ 106x66x15
38.2	1 092 2001 00	2	Seal - Φ 127x86x12
38.3	1 092 2002 00	2	Seal - Φ 143x95x9
39	4 315 0064 00	2	O-Ring - Φ 148x4
40	3 304 0086 00	2	Hub cap assy - (incl. Pos. 39 & 41)
N.A.	1 304 0086 00	2	Hub Cap
41	4 337 2026 02	2	Plug
059	3 077 0223 00	2	Brake shoe/lining kit SNF 420x180 (incl. 60, 64 & 75)
60	3 213 0023 01	4	Anchor pin kit (incl. pos. 61-63)
61	1 214 0023 01	4	Anchor pin
62	1 331 0013 00	8	Washer
63	4 348 1004 00	8	Circlip

Ident. No C 147 10 03 6 69 0 & Ident. No C 147 12 01 6 69 0

Item	Part Number	Qty	Description
64	3 055 0133 00	4	Brake shoe assembly (with linings)
65	2 056 0120 00	4	Brake shoe - metal part
66	1 265 0021 00	4	Camshaft roller
070	3 057 3912 00	1	Brake lining kit (incl. pos. 71-73)
71 & 72	1 057 9912 00	8	Linings (OEM thickness of 17.5mm)
73	1 267 0007 00	1	Rivet kit (incl. 80ea of B8x15)
74	1 395 1005 00	4	Retaining pin
75	1 447 0038 00	4	Return spring
77	4 029 1031 00	2	Pole ring ABS, 100
078	3 029 0231 00	2	ABS Sensor kit (incl. sensor, sleeve & paste)
80.1	4 338 0010 00	2	Cable protecting hose
80.2	4 194 2018 00	2	Band clamp
80.3	1 194 4001 00	2	Fastener ring
81	2 262 0269 02	1	Camshaft LH, 668
82	2 262 0270 02	1	Camshaft RH, 668
083	3 317 0004 00	2	Camshaft install. replacement kit, incl. Pos. 84-88
84	4 348 1006 00	2	Circlip
85	1 331 0056 00	2	Washer - $\Phi 60/38.2 \times 1.75$
86	1 133 1002 00	2	Spring washer
87	1 331 0015 00	12	Washer - $\Phi 51/38.8 \times 1.5$
88	4 348 1005 00	2	Circlip
89	2 175 0306 00	2	Manual Slack Adjuster ($\Phi 12.7$ mm holes)
90	1 447 0036 00	2	Return Spring
091	3 005 0219 00	2	Dust shield pair, incl. pos. 92-94 & 96-99
92	1 005 0219 00	2	Dust cover, LH
93	1 005 0220 00	2	Dust cover, RH
94	4 337 2008 01	4	plug, lining inspection
95	4 189 0044 00	2	Cable clip
96	4 343 1075 88	2	Screw, M8x40
97	4 194 2025 00	2	Band clamp
98	4 337 2027 00	4	Plug
99	4 177 3018 00	2	Grommet

Ident. No C 147 10 04 6 01 0 & Ident. No C 147 12 02 6 01 0



Ident. No C 147 10 04 6 01 0 & Ident. No C 147 12 02 6 01 0

Item	Part Number	Qty	Description
5	4 343 2904 00	2	Bolt M16, self locking
6	1 230 0106 04	2	Camshaft bronze bush 38
6.1	1 094 0034 00	2	Spacer ring 38
7	4 315 0048 00	2	O-Ring 38
8	4 201 0005 00	4	Grease nipple M10
010	3 268 0047 00	2	Camshaft bush & bearing kit (incl. pos. 12-18)
12	3 268 0045 00	2	Camshaft bush unit
15	4 343 2912 01	10	Screw, self locking M8
18	4 131 0008 00	4	Rubber boot
18.1	1 173 3002 00	2	Rubber boot
18.3	4 187 0009 00	2	Wear indicator
022	3 011 0040 01	2	Axle nut kit (incl. 22-24)
22	1 011 0040 02	2	Inner axle nut - M56x2, Socket 85
23	1 345 0008 01	2	Retaining washer
24	4 011 0039 01	2	Outer axle nut - M56x2 Socket 85
27	1 398 0056 00	2	Hub - 5 Spoke
27.1	4 342 2903 00	10	Nut - Wheel Clamp - 3/4"
27.2	3 434 3016 00	2	Bearing kit (incl. positions 27.3, 35, 36, 37 & 38.1-38.3)
27.3	5 387 0011 05	2	Bearing grease
27.4	4 398 4010 00	10	Clamp
27.5	1 051 1044 00	10	Stud - 3/4"
29	1 064 0306 00	2	Brake drum, 420x180 - 208 lg - 5-Spoke
30	3 341 2924 19	20	Wheel bolt & nut kit, incl. pos, 31-32
31	4 343 2924 88	10	Bolt 3/4"
32	4 247 4048 80	10	Nut 3/4"
35	4 200 1006 00	2	Inner wheel bearing 218 248/210
36	4 200 0060 00	2	Outer wheel bearing 33213
37	4 373 0035 01	2	Hub seal
38	3 434 3017 00	1	Bearing seal kit (incl. positions 27.3, 37, & 38.1 - 38.3)
38.1	1 337 0040 00	2	Sleeve Φ 106x66x15
38.2	1 092 2001 00	2	Seal Φ 127x86x12
38.3	1 092 2002 00	2	Seal Φ 143x95x9
39	1 093 0005 00	2	Gasket
40	1 304 0016 00	2	Hub cap
42	4 343 2918 88	12	Screw 5/16"-18 x 20
059	3 077 0223 00	2	Brake shoe/lining kit SNF 420x180 (incl. 60, 64 & 75)
60	3 213 0023 01	4	Anchor pin kit (incl. pos, 61-63)
61	1 214 0023 01	4	Anchor pin
62	1 331 0013 00	8	Washer
63	4 348 1004 00	8	Circlip

Ident. No C 147 10 04 6 01 0 & Ident. No C 147 12 02 6 01 0

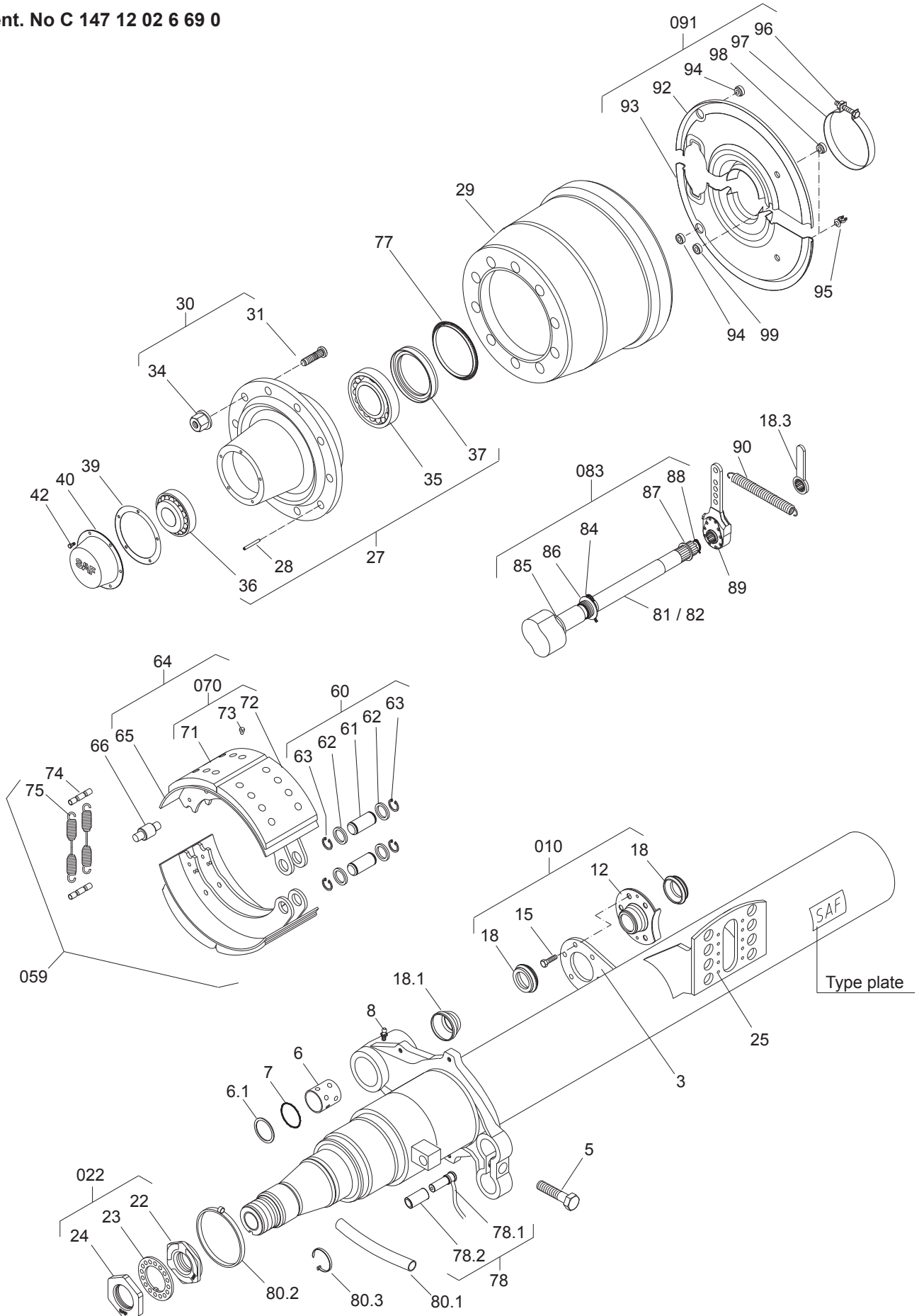
Item	Part Number	Qty	Description
64	3 055 0133 00	4	Brake shoe assembly (with linings incl. pos. 65-74)
65	2 056 0120 00	4	Brake shoe - metal part
66	1 265 0021 00	4	Camshaft roller
070	3 057 3912 00	1	Brake lining kit (incl. pos. 71-73)
71&72	1 057 9912 00	8	Linings (OEM thickness of 17.5mm)
73	1 267 0007 00	1	Rivet kit (incl. 80ea of B8x15)
74	1 395 1005 00	4	Retaining pin
75	1 447 0038 00	4	Return spring
77	4 029 1031 00	2	Pole ring ABS, 100
078	3 029 0231 00	2	ABS Sensor kit (incl. sensor, sleeve & paste)
80.1	4 338 0010 00	2	Cable protecting hose
80.2	4 194 2018 00	2	Band clamp
80.3	1 194 4001 00	2	Fastener ring
81	2 262 0269 02	1	Camshaft LH, 668
82	2 262 0270 02	1	Camshaft RH, 668
083	3 317 0004 00	2	Camshaft install. replacement kit, incl. Pos. 84-88
84	4 348 1006 00	2	Circlip
85	1 331 0056 00	2	Washer, $\Phi 60/38.2 \times 1.75$
86	1 133 1002 00	2	Spring washer
87	1 331 0015 00	12	Washer, $\Phi 51/38.8 \times 1.5$
88	4 348 1005 00	2	Circlip
89	2 175 0306 00	2	Manual Slack Adjuster $\Phi 12.7$ sleeve dia.
90	1 447 0036 00	2	Return Spring
091	3 005 0219 00	2	Dust shield pair, incl. pos. 92-94 & 96-99
92	1 005 0219 00	2	Dust cover, LH
93	1 005 0220 00	2	Dust cover, RH
94	4 337 2008 01	4	plug, lining inspection
95	4 189 0044 00	2	Cable clip
96	4 343 1075 88	2	Screw, M8x40
97	4 194 2025 00	2	Band clamp
98	4 337 2027 00	4	Plug
99	4 177 3018 00	2	Grommet

Axle RZ 12242/18C

Std. Hub (10x285.75PCD)

SAF Holland

Ident. No C 147 12 02 6 69 0



Ident. No C 147 12 02 6 69 0

Item	Part Number	Qty	Description
1	2 500 4863 00	1	Axle Beam Assembly
3	1 043 1002 00	2	Bracket Camshaft bush
5	4 343 2904 00	2	Bolt M16, self locking
6	1 230 0106 04	2	Camshaft bronze bush
6.1	1 094 0034 00	2	Spacer ring
7	4 315 0048 00	2	O-Ring 38
8	4 201 0005 00	4	Grease nipple M10
010	3 268 0047 00	2	Camshaft bush & bearing kit (incl. 12-18)
12	3 268 0045 00	2	Camshaft bush unit
15	4 343 2912 01	10	Screw, self locking
18	4 131 0008 00	4	Rubber boot
18.1	1 173 3002 00	2	Rubber boot
18.3	4 187 0009 00	2	Wear indicator
022	3 011 0040 01	2	Axle nut kit (incl. 22-24)
22	1 011 0040 02	2	Inner axle nut - M56x2, Socket 85
23	1 345 0008 01	2	Retaining washer
24	4 011 0039 01	2	Outer axle nut - M56x2 Socket 85
27	3 307 3039 00	2	Hub Assy - Standard 10x285.75PCD
27.3	5 387 0011 05	2	Bearing Grease
29	1 064 0305 00	2	Brake drum, 420x180 - 262 lg - 10x285.75PCD
30	3 302 1145 00	20	Wheel bolt & nut kit, incl. pos. 31&34
31	1 303 1112 10	20	Wheel bolt - 112 lg. - intermediate (for alloy & steel wheels)
34	4 247 3012 01	20	Wheel nut - M22x1.5 - 27lg - Socket 32
34	33272215	20	Wheel nut - M22x1.5 - 27lg - Socket 33
35	4 200 1006 00	2	Inner wheel bearing 218 248/210
36	4 200 0060 00	2	Outer wheel bearing 33213
37	4 373 0035 01	2	Hub seal
39	1 093 0005 00	2	Gasket
40	1 304 0016 00	2	Hub cap
42	4 375 2003 88	12	Screw M8
059	3 077 0223 00	2	Brake shoe/lining kit SNF 420x180 (incl. 60, 64 & 75)
60	3 213 0023 01	4	Anchor pin kit (incl. pos, 61-63)
61	1 214 0023 01	4	Anchor pin
62	1 331 0013 00	8	Washer
63	4 348 1004 00	8	Circlip
64	3 055 0133 00	4	Brake shoe assembly (with linings incl. pos. 65-74)
65	2 056 0120 00	4	Brake shoe - metal part
66	1 265 0021 00	4	Camshaft roller
070	3 057 3912 00	1	Brake lining kit (incl. pos. 71-73)
71&72	1 057 9912 00	8	Linings (OEM thickness of 17.5mm)

Axle RZ 12242/18C

Std. Hub (10x285.75PCD)

SAF *Holland*

Ident. No C 147 12 02 6 69 0

Item	Part Number	Qty	Description
73	1 267 0007 00	1	Rivet kit (incl. 80ea of B8x15)
74	1 395 1005 00	4	Retaining pin
75	1 447 0038 00	4	Return spring
77	31 0031 00	2	Pole ring ABS, 100
078	3 029 0231 00	2	ABS Sensor kit (incl. sensor, sleeve & paste)
80.1	4 338 0010 00	2	Cable protecting hose
80.2	4 194 2018 00	2	Band clamp
80.3	1 194 4001 00	2	Fastener ring
81	2 262 0269 02	1	Camshaft LH, 668
82	2 262 0270 02	1	Camshaft RH, 668
083	3 317 0004 00	2	Camshaft install. replacement kit, incl. Pos. 84-88
84	4 348 1006 00	2	Circlip
85	1 331 0056 00	2	Washer, 60/38.2x1.75
86	1 133 1002 00	2	Spring washer
87	1 331 0015 00	12	Washer, 51/38.8x1.5
88	4 348 1005 00	2	Circlip
89	2 175 0306 00	2	Manual Slack Adjuster (Φ12.7mm holes)
90	1 447 0036 00	2	Return Spring

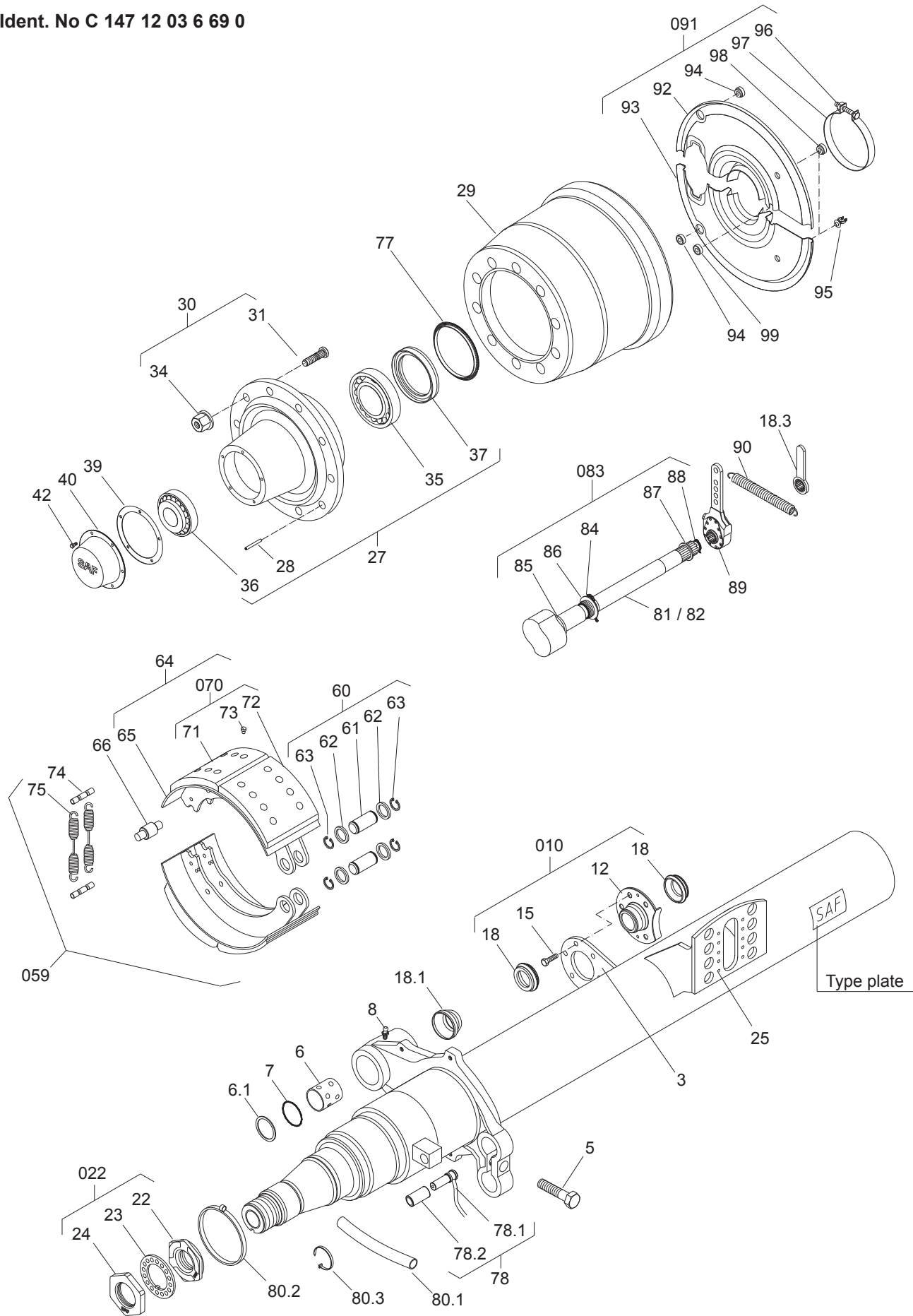
For axles manufactured up to 30/06/2004

091	3 005 0173 00	2	Dust shield pair, incl. pos. 92-94 & 96-99
92	1 005 0173 00	2	Dust cover, LH
93	1 005 0174 00	2	Dust cover, RH
94	4 337 2008 01	4	plug, lining inspection
95	4 189 0044 00	2	Cable clip
96	4 343 1075 88	2	Screw, M8x40
97	4 194 2023 01	2	Band clamp
98	4 337 2027 00	4	Plug
99	4 177 3018 00	2	Grommet

For axles manufactured after 01/072004

091	3 005 0219 00	2	Dust shield pair, incl. pos. 92-94 & 96-99
92	1 005 0219 00	2	Dust cover, LH
93	1 005 0220 00	2	Dust cover, RH
94	4 337 2008 01	4	plug, lining inspection
95	4 189 0044 00	2	Cable clip
96	4 343 1075 88	2	Screw, M8x40
97	4 194 2025 00	2	Band clamp
98	4 337 2027 00	4	Plug
99	4 177 3018 00	2	Grommet

Ident. No C 147 12 03 6 69 0



Ident. No C 147 12 03 6 69 0

Item	Part Number	Qty	Description
5	4 343 2904 00	2	Bolt M16, self locking
6	1 230 0106 04	2	Camshaft bronze bush
6.1	1 094 0034 00	2	Spacer ring
7	4 315 0048 00	2	O-Ring 38
8	4 201 0005 00	4	Grease nipple M10
010	3 268 0047 00	2	Camshaft bush & bearing kit (incl. 12-18)
12	3 268 0045 00	2	Camshaft bush unit
15	4 343 2912 01	10	Screw, self locking
18	4 131 0008 00	4	Rubber boot
18.1	1 173 3002 00	2	Rubber boot
18.3	4 187 0009 00	2	Wear Indicator
022	3 011 0040 01	2	Axle nut kit (incl. 22-24)
22	1 011 0040 02	2	Inner axle nut - M56x2, Socket 85
23	1 345 0008 01	2	Retaining washer
24	4 011 0039 01	2	Outer axle nut - M56x2 Socket 85
27	3 307 3038 00	2	Hub Assy - Standard 10x335PCD
27.3	5 387 0011 05	2	Bearing Grease
29	1 064 0304 00	2	Brake drum, 420x180 - 262 lg - 10x335PCD
30	3 302 1145 00	20	Wheel bolt & nut kit, incl. pos. 31&34
31	1 303 1112 10	20	Wheel bolt - 112 lg. - intermediate (for alloy & steel wheels)
34	4 247 3012 01	20	Wheel nut - M22x1.5 - 27lg - Socket 32
34	33272215	20	Wheel nut - M22x1.5 - 27lg - Socket 33
35	4 200 1006 00	2	Inner wheel bearing - 218 248/210
36	4 200 0060 00	2	Outer wheel bearing - 33213
37	4 373 0035 01	2	Hub seal
39	1 093 0005 00	2	Gasket
40	1 304 0016 00	2	Hub cap
42	4 375 2003 88	12	Screw M8
059	3 077 0223 00	2	Brake shoe/lining kit SNF 420x180 (incl. 60, 64 & 75)
60	3 213 0023 01	4	Anchor pin kit (incl. pos. 61-63)
61	1 214 0023 01	4	Anchor pin
62	1 331 0013 00	8	Washer
63	4 348 1004 00	8	Circlip
64	3 055 0133 00	4	Brake shoe assembly (with linings incl. pos. 65-74)
65	2 056 0120 00	4	Brake shoe - metal part
66	1 265 0021 00	4	Camshaft roller
070	3 057 3912 00	1	Brake lining kit (incl. pos. 71-73)
71 & 72	1 057 9912 00	8	Linings (OEM thickness of 17.5mm)
73	1 267 0007 00	1	Rivet kit (incl. 80ea of B8x15)

Ident. No C 147 12 03 6 69 0

Item	Part Number	Qty	Description
74	1 395 1005 00	4	Retaining pin
75	1 447 0038 00	4	Return spring
77	4 029 1031 00	2	Pole ring ABS, 100
078	3 029 0231 00	2	ABS Sensor kit (incl. sensor, sleeve & paste)
80.1	4 338 0010 00	2	Cable protecting hose
80.2	4 194 2018 00	2	Band clamp
80.3	1 194 4001 00	2	Fastener ring
81	2 262 0269 02	1	Camshaft LH, 668 lg
82	2 262 0270 02	1	Camshaft RH, 668 lg
083	3 317 0004 00	2	Camshaft installation replacement kit (incl. Pos. 84-88)
84	4 348 1006 00	2	Circlip
85	1 331 0056 00	2	Washer - $\Phi 60/38.2 \times 1.75$
86	1 133 1002 00	2	Spring washer
87	1 331 0015 00	12	Washer - $\Phi 51/38.8 \times 1.5$
88	4 348 1005 00	2	Circlip
89	2 175 0306 00	2	Manual Slack Adjuster ($\Phi 12.7$ mm holes)
90	1 447 0036 00	2	Return Spring

For axles manufactured up to 30/06/2004

091	3 005 0173 00	2	Dust shield pair, incl. pos. 92-94 & 96-99
92	1 005 0173 00	2	Dust cover, LH
93	1 005 0174 00	2	Dust cover, RH
94	4 337 2008 01	4	plug, lining inspection
95	4 189 0044 00	2	Cable clip
96	4 343 1075 88	2	Screw, M8x40
97	4 194 2023 01	2	Band clamp
98	4 337 2027 00	4	Plug
99	4 177 3018 00	2	Grommet

For axles manufactured after 01/072004

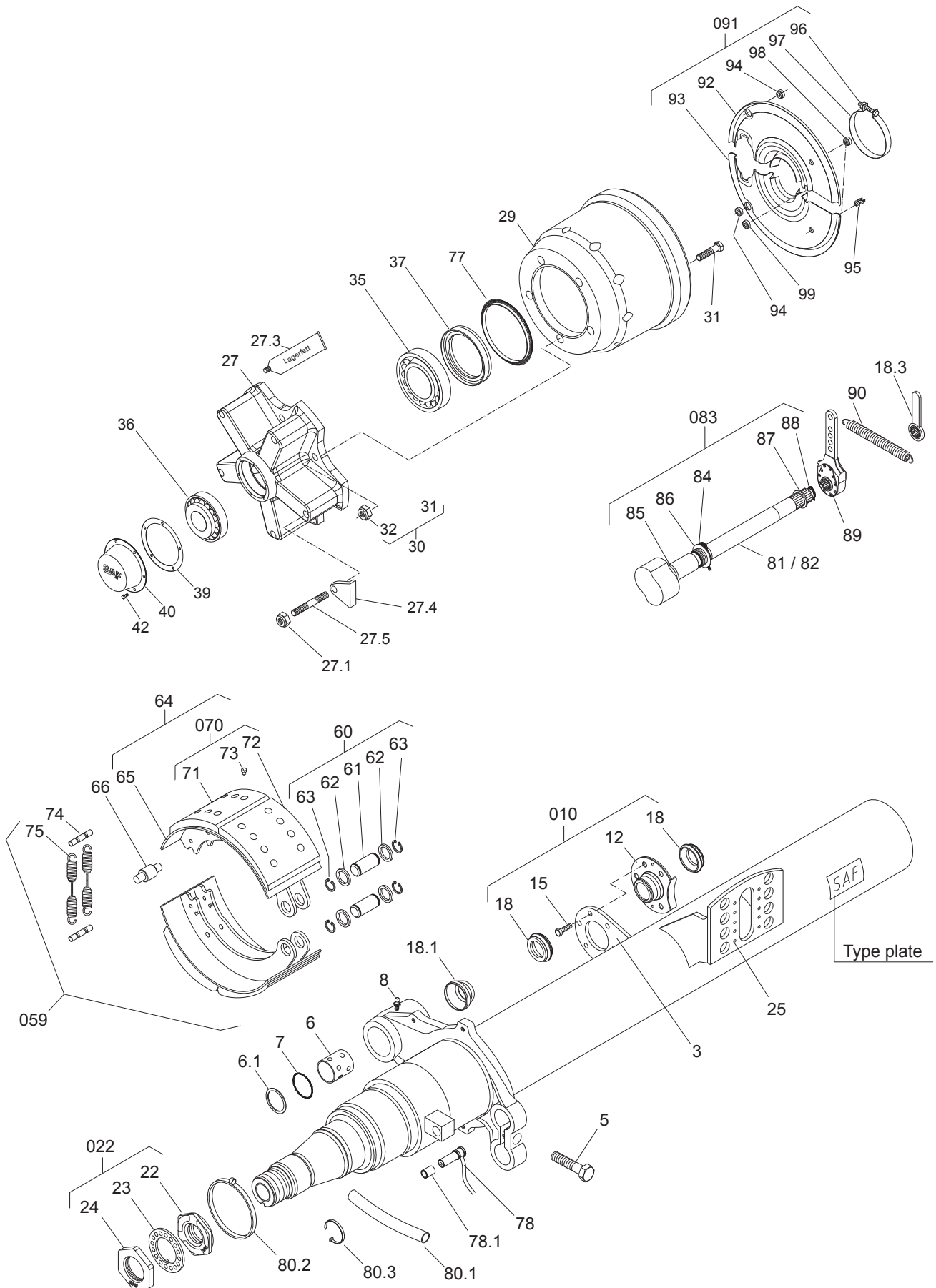
091	3 005 0219 00	2	Dust shield pair, incl. pos. 92-94 & 96-99
92	1 005 0219 00	2	Dust cover, LH
93	1 005 0220 00	2	Dust cover, RH
94	4 337 2008 01	4	plug, lining inspection
95	4 189 0044 00	2	Cable clip
96	4 343 1075 88	2	Screw, M8x40
97	4 194 2025 00	2	Band clamp
98	4 337 2027 00	4	Plug
99	4 177 3018 00	2	Grommet

Axle RZT 12242/18C

Std. Hub (5 Spoke)

SAF Holland

Ident. No C 147 12 01 6 01 0



Ident. No C 147 12 01 6 01 0

Item	Part Number	Qty	Description
1	2 500 4863 00	1	Axle Beam Assembly
3	1 043 1002 00	2	Bracket Camshaft bush
5	4 343 2904 00	2	Bolt M16, self locking
6	1 230 0106 04	2	Camshaft bronze bush
6.1	1 094 0034 00	2	Spacer ring
7	4 315 0048 00	2	O-Ring 38
8	4 201 0005 00	4	Grease nipple M10
010	3 268 0047 00	2	Camshaft bush & bearing kit (incl. pos. 12-18)
12	3 268 0045 00	2	Camshaft bush unit
15	4 343 2912 01	10	Screw, self locking
18	4 131 0008 00	4	Rubber boot
18.1	1 173 3002 00	2	Rubber boot
18.3	4 187 0009 00	2	Wear indicator
022	3 011 0040 01	2	Axle nut kit (incl. 22-24)
22	1 011 0040 02	2	Inner axle nut - M56x2, Socket 85
23	1 345 0008 01	2	Retaining washer
24	4 011 0039 01	2	Outer axle nut - M56x2 Socket 85
27	1 398 0056 00	2	Hub
27.1	4 342 2903 00	10	Nut - Wheel Clamp - 3/4"
27.3	5 387 0011 05	2	Bearing grease
27.4	4 398 4010 00	10	Clamp
27.5	1 051 1044 00	10	Stud - 3/4"
29	1 064 0306 00	2	Brake drum, 420x180 - 208 lg
30	3 341 2924 19	10	Wheel bolt & nut kit, incl. pos, 31-32
31	4 343 2924 88	10	Bolt 3/4"
32	4 247 4048 80	20	Nut 3/4"
35	4 200 1006 00	2	Inner wheel bearing 218 248/210
36	4 200 0060 00	2	Outer wheel bearing 33213
37	4 373 0035 01	2	Hub seal
39	1 093 0005 00	2	Gasket
40	1 304 0016 00	2	Hub cap
42	4 343 2918 88	12	Screw 5/16"-18 x 20
059	3 077 0223 00	2	Brake shoe/lining kit SNF 420x180 (incl. 60, 64 & 75)
60	3 213 0023 01	4	Anchor pin kit (incl. pos, 61-63)
61	1 214 0023 01	4	Anchor pin
62	1 331 0013 00	8	Washer
63	4 348 1004 00	8	Circlip
64	3 055 0133 00	4	Brake shoe assembly (with linings incl. pos. 65-74)
65	2 056 0120 00	4	Brake shoe - metal part
66	1 265 0021 00	4	Camshaft roller

Ident. No C 147 12 01 6 01 0

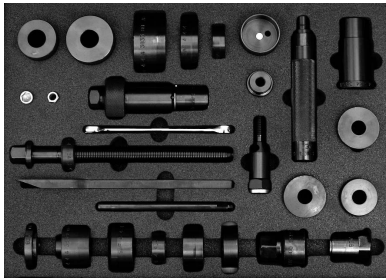
Item	Part Number	Qty	Description
070	3 057 3912 00	1	Brake lining kit (incl. pos. 71-73)
71&72	1 057 9912 00	8	Linings (OEM thickness of 17.5mm)
73	1 267 0007 00	1	Rivet kit (incl. 80ea of B8x15)
74	1 395 1005 00	4	Retaining pin
75	1 447 0038 00	4	Return spring
77	4 029 1031 00	2	Pole ring ABS, 100
078	3 029 0231 00	2	ABS Sensor kit (incl. sensor, sleeve & paste)
80.1	4 338 0010 00	2	Cable protecting hose
80.2	4 194 2018 00	2	Band clamp
80.3	1 194 4001 00	2	Fastener ring
81	2 262 0269 02	1	Camshaft LH, 668
82	2 262 0270 02	1	Camshaft RH, 668
083	3 317 0004 00	2	Camshaft install. replacement kit, incl. Pos. 84-88
84	4 348 1006 00	2	Circlip
85	1 331 0056 00	2	Washer, $\Phi 60/38.2 \times 1.75$
86	1 133 1002 00	2	Spring washer
87	1 331 0015 00	12	Washer, $\Phi 51/38.8 \times 1.5$
88	4 348 1005 00	2	Circlip
89	2 175 0306 00	2	Manual Slack Adjuster $\Phi 12.7$ sleeve dia.
90	1 447 0036 00	2	Return Spring

For axles manufactured up to 30/06/2004

091	3 005 0173 00	2	Dust shield pair, incl. pos. 92-94 & 96-99
92	1 005 0173 00	2	Dust cover, LH
93	1 005 0174 00	2	Dust cover, RH
94	4 337 2008 01	4	Plug, lining inspection
95	4 189 0044 00	2	Cable clip
96	4 343 1075 88	2	Screw, M8x40
97	4 194 2023 01	2	Band clamp
98	4 337 2027 00	4	Plug
99	4 177 3018 00	2	Grommet

For axles manufactured after 01/07/2004

091	3 005 0219 00	2	Dust shield pair, incl. pos. 92-94 & 96-99
92	1 005 0219 00	2	Dust cover, LH
93	1 005 0220 00	2	Dust cover, RH
94	4 337 2008 01	4	plug, lining inspection
95	4 189 0044 00	2	Cable clip
96	4 343 1075 88	2	Screw, M8x40
97	4 194 2025 00	2	Band clamp
98	4 337 2027 00	4	Plug
99	4 177 3018 00	2	Grommet



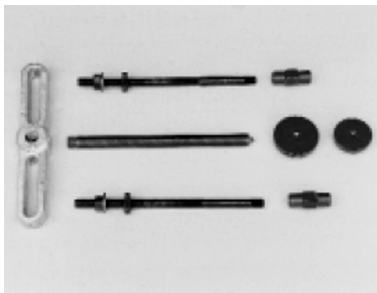
1. Universal disc brake tool kit
SAF Part No. 3 434 3328 00



2. Axle nut wrench W.A.F. 140mm
SAF Part No. 1 012 0024 00



2a. Axle nut wrench W.A.F. 85mm
SAF Part No. 4 434 3828 00



3. Universal hub puller
SAF Part No. 4 434 3822 00



4. 3D bush tool
SAF Part No. 3 434 3326 00



5. Ring/open-end spanner with adaptor WAF 8 / 10 mm
SAF Part No. 3 434 3327 00



6. Wheel cap removal lever
SAF Part No. 1 434 1041 00

1. Interpretation

“Company” means SAF-HOLLAND (Aust.) Pty. Ltd. “Customer” means the person to or for whom Goods are supplied by the Company. “Delivery Date” has the meaning given in clause 4(b). “Goods” means the goods, which are the subject matter of these terms. “Implied Warranties,” mean any term, condition or warranty implied law.

2. Operation

- (a) All orders for and supply of Goods shall be governed by these conditions of sale.
- (b) A Customer shall be deemed to have accepted these conditions of sale by placing an order with the Company.

3. Orders

- (a) The Customer may order Goods only by completing the order forms approved by the Company from time to time.
- (b) The Company is not obliged to accept any order for Goods. The Company may accept an order only by notifying the Customer in writing or by delivering the Goods described in the order to the Customer or to a carrier.
- (c) The Customer authorises the Company to complete any uncompleted order form received from the Customer and agrees to be bound by the terms of such a completed order form.
- (d) The Customer cannot cancel an order, which has been accepted by the Company, without prior written consent of the Company. The Customer acknowledges that if the Company accepts the cancellation, the Company may charge a cancellation fee.

4. Delivery and Risk

- (a) Delivery of goods is conditional upon availability. The Customer acknowledges that the Company shall be under no liability for late delivery.
- (b) Delivery shall be deemed to take place at the time of physical taking of the Goods by the Customer or by a carrier whether engaged by the Company or by the Customer (“Delivery Date”).
- (c) Goods shall be at Customer’s risk on and from the Delivery Date.
- (d) Subject to Implied Warranties, which are not capable of exclusion or limitation, the Company’s responsibility for damage or shortage ceases on and from the Delivery Date.
- (e) All delivery and return costs shall be borne by the Customer, unless otherwise specified.

5. Prices and Payment

- (a) The provision of a price list is not to be construed as an offer to sell.
- (b) Prices are subject to withdrawal or change without notice.
- (c) If partial delivery is made proportionate payment shall apply. If the Customer is in breach of any obligation, the Company has the right not to fulfil any unexecuted part orders.
- (d) The prices charged for the Goods will be those ruling at the Delivery Date.
- (e) Unless stated to the contrary, prices do not include taxes, duties, levies, imports or charges for which the Customer will be responsible.
- (f) The Company may recover from the Customer interest on any unpaid amounts at a rate (set out on the invoice).
- (g) Subject to clause 5(h) payment of the full purchase price for the Goods is due and payable within 30 days of the date specified on the invoice.
- (h) The full purchase price for the Goods shall become immediately due and payable if the Customer, takes or has taken or instituted against it any action or proceeding whether voluntary or compulsory which has object or may result in the bankruptcy or winding up of the Customer (other than a voluntary winding up for the purposes of amalgamation or reconstruction) or is placed under official management or a receiver, receiver and manager or administrator is appointed over the whole or any part of its undertaking or the Customer is unable to pay its debts if and when they fall due.

6. Returns

- (a) Subject to any Implied Warranties which are not capable of exclusion or limitation, credit will not be issued for Goods returned unless the Company believes it appropriate, and:
 - i. Invoice numbers are quoted; and
 - ii. The Customer notifies the Company immediately on receipt of Goods.
- (b) Subject to any Implied Warranties which are not capable of exclusion or limitation, credit will not be issued for Goods made to order.
- (c) The Customer must provide the reasons for return upon request by the Company.
- (d) Subject to any Implied Warranties which are not capable of exclusion or limitation, a penalty restocking fee of 15% of the value of the goods being returned will be charged on all goods returned after the expiration of 30 days from the original delivery date.

- (e) Subject to any Implied Warranties, which are not capable of exclusion or limitation, no goods will be returned without the customer firstly obtaining goods return number from the Company.
- (f) Subject to any Implied Warranties, which are not capable of exclusion or limitation, no goods will be accepted as being returned for credit upon the expiration of six (6) calendar months from the original delivery date.

7. Risk and Insurance

- (a) The Customer at its own expense must insure Goods on and from the Delivery Date.

8. Property

- (a) Title to Goods remains in the Company until:
 - i. The full purchase price and all other sums payable by the Customer to the Company in respect of the Goods are paid; or
 - ii. The Customer sells or disposes of the Goods to its customers in the ordinary course of business.
- (b) While title to the Goods remains in the Company, the Customer shall have no ownership or rights in the Goods and shall, while possesses of the same, hold only as a mere bailee for the Company.
- (c) Until the full purchase price and all other sums payable by the Customer to the Company in respect of the Goods are paid the Customer shall store the Goods separately so that they are clearly identifiable and shall label the Goods in a way which clearly manifests the Company's title (and shall not transform the Goods or incorporate the Goods into other products).
- (d) Notwithstanding anything in this clause the Customer may sell or dispose of the Goods to its customers in the ordinary course of business in which case the Customer shall:
 - i. Hold the process of sale for the Company and shall not mix any of the proceeds of sale with its own money but shall ensure that all receipts are kept separate and identifiable; and
 - ii. Where requested by the Company assign to the Customer the benefit of any claim against a third party.
- (e) If the Customer fails to pay the full purchase price for the Goods by the due date and the Goods are in the Customer's possession or control, the Company or its representative may enter the Customer's premises or any premises where the Company reasonably believes the Goods are kept and remove the Goods and the Customer shall assist and indemnify the Company in relation to such removal.

9. Packaging

The Company recommends that deliveries to country areas be packed in timber crates to prevent transit damage.

10. Warranties

- (a) If the liability of the Company to the Customer for any breach of any Implied Warranty is capable of exclusion it is excluded.
- (b) If the liability of the Company to the customer for any breach of any Implied Warranty is capable of limitation it is limited to resupplying or replacing the Goods.
- (c) Subject to any Implied Warranties which are not capable of exclusion or limitation:
 - i. The Company makes no warranties in relation to the Goods;
 - ii. The Company, its servants, agents and contractors shall not be liable for any loss, damage or injury (including without limitation any loss of profit, indirect or consequential loss) arising from the supply or use of the Goods or for any act or omission (including negligence) of the Company;
 - iii. The Customer indemnifies the Company from any loss, damage or injury resulting from any claims or demands by any third party relating in any way to the Goods.
- (d) These conditions of sale supersede and exclude all prior and other discussion and arrangements relating to the supply of the Goods.

11. General

- (a) Special conditions embodied in Customer's orders are not considered binding unless specifically agreed to in writing by the Company.
- (b) These conditions of sale are governed by the law of Victoria and the Customer agrees to submit to the jurisdiction of Victorian courts and tribunals.
- (c) Subject to any Implied warranties which are not capable of exclusion or limitation, the Company reserves the right to charge a restocking fee of 15%.
- (d) The Customer acknowledges that the minimum amount of any order is \$100.00.
- (e) The Customer acknowledges some Goods are not kept as stock lines. It is the Customer's responsibility to check lead times for Goods they have ordered.

CS-1b



WARRANTY

SAF MODUL SUSPENSION AND J-SERIES AXLE WARRANTY

SAF-HOLLAND (AUST.) PTY. LTD. warrants all SAF MODUL suspensions and J-Series axles manufactured by it, when properly installed, to be free from defects in material and workmanship under normal use and service.

- SAF MODUL suspensions and J-Series axles are covered for a period of one (1) year from the date of installation.
 - The axle beam has five (5) years warranty for structural and manufacturing defects only.
- The warranty is void with respect to any product which has been altered in any way from its manufactured condition, such as intentional modification, accident, corrosion, misuse failure to provide necessary and reasonable maintenance and is exclusive of normal wear.

The sole responsibility of SAF-HOLLAND under this warranty is limited to repairing or replacing at the factory any part or parts which are returned, with transportation charges prepaid, and are found to be defective to the satisfaction of SAF-HOLLAND.

Written authorization from SAF-HOLLAND must be obtained prior to returning any part or parts. No charges for transportation or for labour performed on SAF-HOLLAND products by unauthorized persons will be allowed under this warranty.

SAF-HOLLAND shall not be liable, in any event, for proximate, incidental, consequential or other damages, including but not limited to damages for loss of production or injury to persons or property arising out of any breach of this warranty. Hubodometer must be fitted to each trailer to ensure warranty is valid. If not fitted the warranty is null and void. Records will be compared to inspection and preventative maintenance manual to ensure accuracy.

THERE ARE NO WARRANTIES, EXPRESSED OR IMPLIED, INCLUDING THE WARRANTY OF MERCHANTABILITY OR A WARRANTY OF FITNESS FOR A PARTICULAR PURPOSE EXTENDING BEYOND THAT SET FORTH ABOVE.

SAF-HOLLAND reserves the right, without prior notice, to change specifications and dimensions as designs are altered and/or improved. Options and features other than those shown may be provided.



SAF INTRADRUM WARRANTY

SAF-HOLLAND (AUST.) PTY. LTD. warrants all SAF Intradrums axle suspension assemblies manufactured by it.

- Lifetime warranty is offered on Axle Connection for normal on-road operation.
 - Shock Absorber, Hub Unit and Pivot Bush, when properly installed, to be free from defects in material and workmanship under normal use and service, are covered for a period of up to 1,000,000 km or six (6) years on sealed road application only and 500,000 km or three (3) years for off-road application.
 - Automatic Slack Adjusters have 300,000 km warranty or two (2) years.
 - Other Parts are covered for one (1) year against manufacturing fault only.
- Excluded from the warranty are normal wear and tear parts, damaged due to extreme force, incorrect operation and subsequent damage.

Brake balance between Truck and Trailer must be checked regularly and damage of wheel bearings and brake components will not be warrantable if balance is out side recommendation. Regular inspection and preventative maintenance procedures must be carried out in accordance to SAF maintenance manual. The warranty is void with respect to any product which has been altered in any way from its manufactured condition, such as intentional modification, accident, corrosion, misuse failure to provide necessary and reasonable maintenance and is exclusive of normal wear. The sole responsibility of SAF-HOLLAND under this warranty is limited to repairing or replacing at the factory any part or parts which are returned, with transportation charges prepaid, and are found to be defective to the satisfaction of SAF-HOLLAND. Written authorization from SAF-HOLLAND must be obtained prior to returning any part or parts. No charges for transportation or for labour performed on SAF-HOLLAND products by unauthorized persons will be allowed under this warranty.

SAF-HOLLAND shall not be liable, in any event, for proximate, incidental, consequential or other damages, including but not limited to damages for loss of production or injury to persons or property arising out of any breach of this warranty. Hubodometer must be fitted to each trailer to ensure warranty is valid. If not fitted the warranty is null and void. Records will be compared to inspection and preventative maintenance manual to ensure accuracy.

THERE ARE NO WARRANTIES, EXPRESSED OR IMPLIED, INCLUDING THE WARRANTY OF MERCHANTABILITY OR A WARRANTY OF FITNESS FOR A PARTICULAR PURPOSE EXTENDING BEYOND THAT SET FORTH ABOVE.

SAF-HOLLAND reserves the right, without prior notice, to change specifications and dimensions as designs are altered and/or improved. Options and features other than those shown may be provided.



SAF INTRADISC WARRANTY

SAF-HOLLAND (AUST.) PTY. LTD. warrants all SAF Intradisc axle suspension assemblies manufactured by it.

- Lifetime warranty is offered on Axle Connection for normal on-road operation.
 - Shock Absorber, Wheel Bearings and Pivot Bush, when properly installed, to be free from defects in material and workmanship under normal use and service, is covered for a period of up to 1,000,000 km or six (6) years on sealed road application only and 500,000 km or three (3) years for off-road application.
 - Brake Caliper has a two (2) year warranty against manufacturing fault.
 - The Disc Rotor has two (2) year's unlimited mileage against manufacturing failure.
 - Other Parts are covered for one (1) year against manufacturing fault only.
- Excluded from the warranty are normal wear and tear parts, damaged due to extreme force, incorrect operation and subsequent damage. Brake balance between Truck and Trailer must be checked regularly and damage of wheel bearings and brake components will not be warrantable if balance is out side recommendation. Damage to brake components including premature Pad wear, Caliper or Rotor damage through brake code specification being used which differ from our specified data will not be covered under the terms of the warranty. Regular inspection and preventative maintenance procedures must be carried out in accordance to SAF maintenance manual. The warranty is void with respect to any product which has been altered in any way from its manufactured condition, such as intentional modification, accident, corrosion, misuse failure to provide necessary and reasonable maintenance and is exclusive of normal wear. The sole responsibility of SAF-HOLLAND under this warranty is limited to repairing or replacing at the factory any part or parts which are returned, with transportation charges prepaid, and are found to be defective to the satisfaction of SAF-HOLLAND. Written authorization from SAF-HOLLAND must be obtained prior to returning any part or parts. No charges for transportation or for labour performed on SAF-HOLLAND products by unauthorized persons will be allowed under this warranty.

SAF-HOLLAND shall not be liable, in any event, for proximate, incidental, consequential or other damages, including but not limited to damages for loss of production or injury to persons or property arising out of any breach of this warranty. Hubodometer must be fitted to each trailer to ensure warranty is valid. If not fitted the warranty is null and void. Records will be compared to inspection and preventative maintenance manual to ensure accuracy.

THERE ARE NO WARRANTIES, EXPRESSED OR IMPLIED, INCLUDING THE WARRANTY OF MERCHANTABILITY OR A WARRANTY OF FITNESS FOR A PARTICULAR PURPOSE EXTENDING BEYOND THAT SET FORTH ABOVE.

SAF-HOLLAND reserves the right, without prior notice, to change specifications and dimensions as designs are altered and/or improved.

Options and features other than those shown may be provided.



SAF MODUL SUSPENSION WITH 146MM AXLE DIAMETER WARRANTY

SAF-HOLLAND (AUST.) PTY. LTD. warrants all SAF MODUL air suspensions, axles (both drum and disc) manufactured by it, when properly installed, to be free from defects in material and workmanship under normal use and service.

- The axle beam has five (5) years for structural and manufacturing defects only.
- The axle hub and bearings are covered for 1,000,000 km or six (6) years, on sealed road application only and 500,000 km or three (3) years for off-road application, whichever comes first.
- Brake caliper and disc rotor both have two (2) years warranty for structural and manufacturing defects.
- All other parts are warranted for one (1) year.

Excluded from the warranty shall be all damage caused intentionally or by gross negligence or by improper or inappropriate handling or the failure to observe the operating, service and installation instructions. Normal wear and tear shall also be excluded from said warranty such as brake linings, drums, brake rollers and springs, disc pads and rotors. Our warranty obligations shall be voided if the goods supplied by us are repaired or modified, parts are used that are not original SAF parts or if SAF identification plates are removed.

Brake balance between truck and trailer must be checked regularly and damage of wheel bearings and brake components will not be warrantable if balance is outside recommendation. The warranty is void with respect to any product which has been altered in any way from its manufactured condition, such as intentional modification, accident, corrosion, misuse failure to provide necessary and reasonable maintenance and is exclusive of normal wear. The sole responsibility of SAF-HOLLAND under this warranty is limited to repairing or replacing at the factory any part or parts which are returned, with transportation charges prepaid, and are found to be defective to the satisfaction of SAF-HOLLAND. Written authorization from SAF-HOLLAND must be obtained prior to returning any part or parts. No charges for transportation or for labour performed on SAF-HOLLAND products by unauthorized persons will be allowed under this warranty.

SAF-HOLLAND shall not be liable, in any event, for proximate, incidental, consequential or other damages, including but not limited to damages for loss of production or injury to persons or property arising out of any breach of this warranty.

Hubdrometer must be fitted to each trailer to ensure warranty is valid. If not fitted the warranty is null and void. Records will be compared to inspection and preventative maintenance manual to ensure accuracy.

THERE ARE NO WARRANTIES, EXPRESSED OR IMPLIED, INCLUDING THE WARRANTY OF MERCHANTABILITY OR A WARRANTY OF FITNESS FOR A PARTICULAR PURPOSE EXTENDING BEYOND THAT SET FORTH ABOVE.

SAF-HOLLAND reserves the right, without prior notice, to change specifications and dimensions as designs are altered and/or improved. Options and features other than those shown may be provided.

W-5



SAF 's history begins in 1881 in a village forge in Germany with the invention of a new plough. The family business soon starts building steel axles for agricultural vehicles, and under the name Otto Sauer Achsenfabrik (SAF) develops into one of the leading manufacturers of trailer axles and suspension systems in Europe.

A safety coupling between plough and horse team can be found at the beginning of Holland's history. The Safety Release Clevis Company was founded in South Dakota, USA , in 1910. After its move to Holland, Michigan, the company emerges as one of the largest supplier companies to the commercial vehicles industry under the name The Holland Hitch Company.

The merger of the two companies to form SAF-HOLLAND in 2006 creates one of the leading global suppliers of high-quality components and services for the commercial vehicle industry. Alongside axle and suspension systems for trailers and semi-trailers, the product range also includes kingpins and landing gear as well as fifth wheels for tractors, air suspensions, coupling products and numerous other components for buses and trucks.

Today SAF-HOLLAND is represented on all continents and distributes its products and services worldwide under the brand names SAF and HOLLAND. It can boast of an extensive distribution network with global service and dealer locations.

Amendments and errors reserved © SAF-HOLLAND (Aust.) Pty. Ltd.

Copyright © May 2008 SAF-HOLLAND (Aust.) Pty. Ltd.



Quality
Endorsed
Company

ISO 9001:2008
001-0004

SAF-HOLLAND (Aust.) Pty. Ltd.
P.O Box 63
115 High St
Melton Vic 3337
Tel: (03) 9971 7900
Fax: (03) 9743 6763

Western Australia
Unit 2 - 5 Noble St
Kewdale WA 6105
Tel: (08) 9353 1720
Fax: (08) 9353 1730

Queensland
Unit 1 - 2692 Ipswich Rd
Darra Qld 4076
Tel: (07) 3375 7033
Fax: (07) 3375 7044

New South Wales
Unit 4 - 13 McCormack St
Arndell Park NSW 2148
Tel: (02) 9672 1950
Fax: (02) 9672 1994

South Australia
21 Aruma Street
Regency Park SA 5010
Tel: (08) 8346 7035
Fax: (08) 8346 3583

www.safholland.com.au

SAF-06 C