





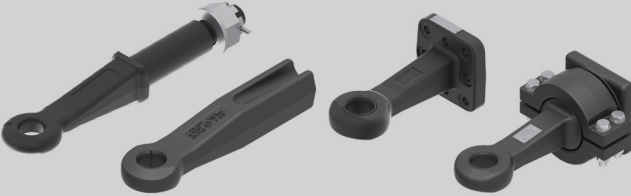
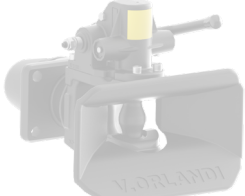
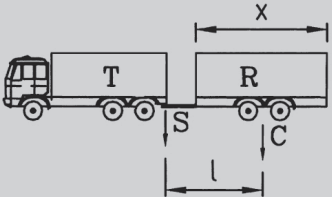
PACIFIC Product Range 2020

VORLANDI
Z
A
R
L
L
O
V



XL-PH40034PM-en-AU

General index

	<p>Drawbar couplings</p>	<p>Page 5</p>
	<p>Complementary kits</p>	<p>Page 26</p>
	<p>Drawbar eyes</p>	<p>Page 34</p>
	<p>Out of production</p>	<p>Page 44</p>
	<p>Technical parameters of towing system</p>	<p>Page 45</p>



1

5

6

8

7

8a

9

6

21a

21b

18

19

17

16

15

14

13

10

11

12

11

42.5

42.5

415

85

45

339

271

880

695

510

30

20

19

VORLANDI

688 (LOCKED)

840 (UNLOCKED)

42.5

42.5

303

281

85

303

203

129

207 ±5

250

140 ±10

90

210

360°

V. ORLANDI

360

SISTEMI

VORLANDI TRAINING

210

360°

V. ORLANDI

360

SISTEMI

VORLANDI TRAINING

210

360°

V. ORLANDI

360

SISTEMI

VORLANDI TRAINING

210

360°

V. ORLANDI

360

SISTEMI

VORLANDI TRAINING

210

360°

V. ORLANDI

360

SISTEMI

VORLANDI TRAINING

210

360°

V. ORLANDI

360

SISTEMI

VORLANDI TRAINING

210

360°

V. ORLANDI

360

SISTEMI

VORLANDI TRAINING

210

360°

V. ORLANDI

360

SISTEMI

VORLANDI TRAINING

210

360°

V. ORLANDI

360

SISTEMI

VORLANDI TRAINING

210

360°

V. ORLANDI

360

SISTEMI

VORLANDI TRAINING

210

360°

V. ORLANDI

360

SISTEMI

VORLANDI TRAINING

210

360°

V. ORLANDI

360

SISTEMI

VORLANDI TRAINING

210

360°

V. ORLANDI

360

SISTEMI

VORLANDI TRAINING

210

360°

V. ORLANDI

360

SISTEMI

VORLANDI TRAINING

210

360°

V. ORLANDI

360

SISTEMI

VORLANDI TRAINING

210

360°

V. ORLANDI

360

SISTEMI

VORLANDI TRAINING

210

360°

V. ORLANDI

360

SISTEMI

VORLANDI TRAINING

210

360°

V. ORLANDI

360

SISTEMI

VORLANDI TRAINING

210

360°

V. ORLANDI

360

SISTEMI

VORLANDI TRAINING

210

360°

V. ORLANDI

360

SISTEMI

VORLANDI TRAINING

210

360°

V. ORLANDI

360

SISTEMI

VORLANDI TRAINING

210

360°

V. ORLANDI

360

SISTEMI

VORLANDI TRAINING

210

360°

V. ORLANDI

360

SISTEMI

VORLANDI TRAINING

210

360°

V. ORLANDI

360

SISTEMI

VORLANDI TRAINING

210

360°

V. ORLANDI

360

SISTEMI

VORLANDI TRAINING

210

360°

V. ORLANDI

360

SISTEMI

VORLANDI TRAINING

210

360°

V. ORLANDI

360

SISTEMI

VORLANDI TRAINING

210

360°

V. ORLANDI

360

SISTEMI

VORLANDI TRAINING

210

360°

V. ORLANDI

360

SISTEMI

VORLANDI TRAINING

210

360°

V. ORLANDI

360

SISTEMI

VORLANDI TRAINING

210

360°

V. ORLANDI

360

SISTEMI

VORLANDI TRAINING

210

360°

V. ORLANDI

360

SISTEMI

VORLANDI TRAINING

210

360°

V. ORLANDI

360

SISTEMI

VORLANDI TRAINING

210

360°

V. ORLANDI

360

SISTEMI

VORLANDI TRAINING

210

360°

V. ORLANDI

360

SISTEMI

VORLANDI TRAINING

210

360°

V. ORLANDI

360

SISTEMI

VORLANDI TRAINING

210

360°

V. ORLANDI

360

SISTEMI

VORLANDI TRAINING

210

360°

V. ORLANDI

360

SISTEMI

VORLANDI TRAINING

210

360°

V. ORLANDI

360

SISTEMI

VORLANDI TRAINING

210

360°

V. ORLANDI

360

SISTEMI

VORLANDI TRAINING

210

360°

V. ORLANDI

360

SISTEMI

VORLANDI TRAINING

210

360°

V. ORLANDI

360

SISTEMI

VORLANDI TRAINING

210

360°

V. ORLANDI

360

SISTEMI

VORLANDI TRAINING

210

360°

V. ORLANDI

360

SISTEMI

VORLANDI TRAINING

210

360°

V. ORLANDI

360

SISTEMI

VORLANDI TRAINING

210

360°

V. ORLANDI

360

SISTEMI

VORLANDI TRAINING

210

360°

V. ORLANDI

360


SISTEMI

VORLANDI TRAINING

210

Drawbar couplings

INDEX

Series	Homologation		Description	For drawbar eyes			Page
	CRN	ECE					
 E40	37724	R55 01 4227	Automatic rigid drawbar couplings	ø 40 mm			6
 E550 PACIFIC	50458	R55 01 10490	Automatic rigid drawbar couplings	ø 50 mm			8
 E551 PACIFIC	5048	R55 01 10490	Automatic rigid drawbar couplings	ø 50 mm			10
 EH500 PACIFIC	37743	55R 01 3026	Tip over axle drawbar couplings	ø 50 mm			12
 E576	50169	R55 01 10665	Automatic rigid drawbar couplings	ø 57,5 mm			14
 GA38	3282	R55 01 37744	Automatic rigid drawbar couplings	ø 40 mm			16
 UN96	50504 50505 50506	R55 01 3004 R55 01 3003 R55 01 3002	Semi automatic pintle hook	ø 76 T			18
 HD50/70	50167 50168	R55 01 0017 R55 01 0019	HD manual drawbar couplings	ø 50 mm ø 70 mm			20
 UN761	50171	R55 01 3005	Semi automatic pintle hook	ø 76 T			22
 UN45	50170		Pintle hook	ø 76 T			22
 GM10			Private yard tow couplings	ø 40 mm ø 50 mm ø 76 T			23
 DE71	50165 50176	55R 01 3014 55R 01 3015	Ball hitches drawbar couplings	B 50 ø 76 T			23



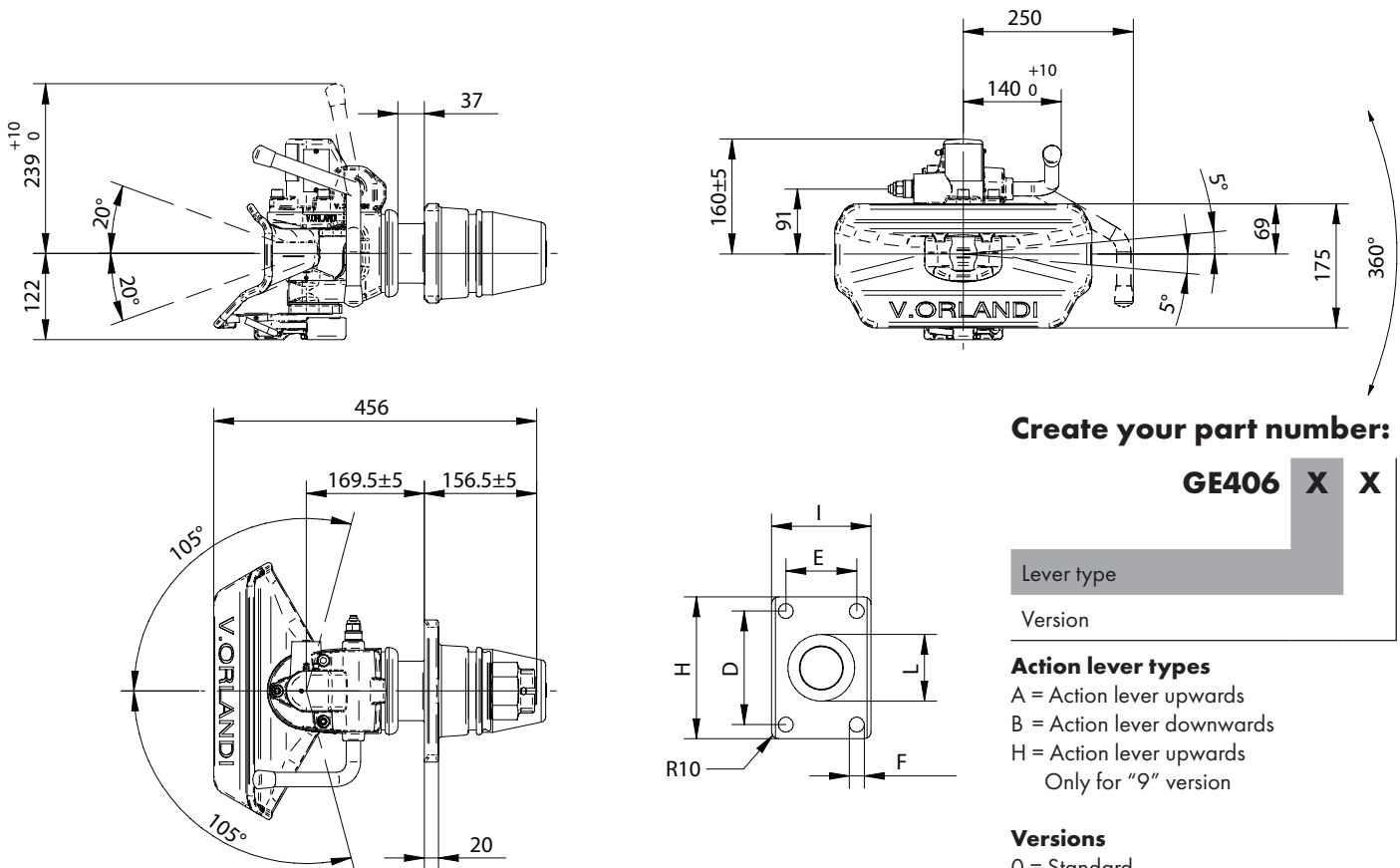
E40

Automatic couplings

For drawbar eyes	Ø 40	DIN 74054
------------------	-----------------	-----------

Technical data

Standard part number	Hole pattern mm	D-Value kN	Dc-Value kN	S-Load kg	V-Value kN	Weight kg	Class	Homologation	
								CRN	ECE R55 01
GE406A0	160x100	150	100	1000	42	37,5	S	37724	E11 55R-014227



Create your part number:

GE406 X X

Lever type

Version

Action lever types

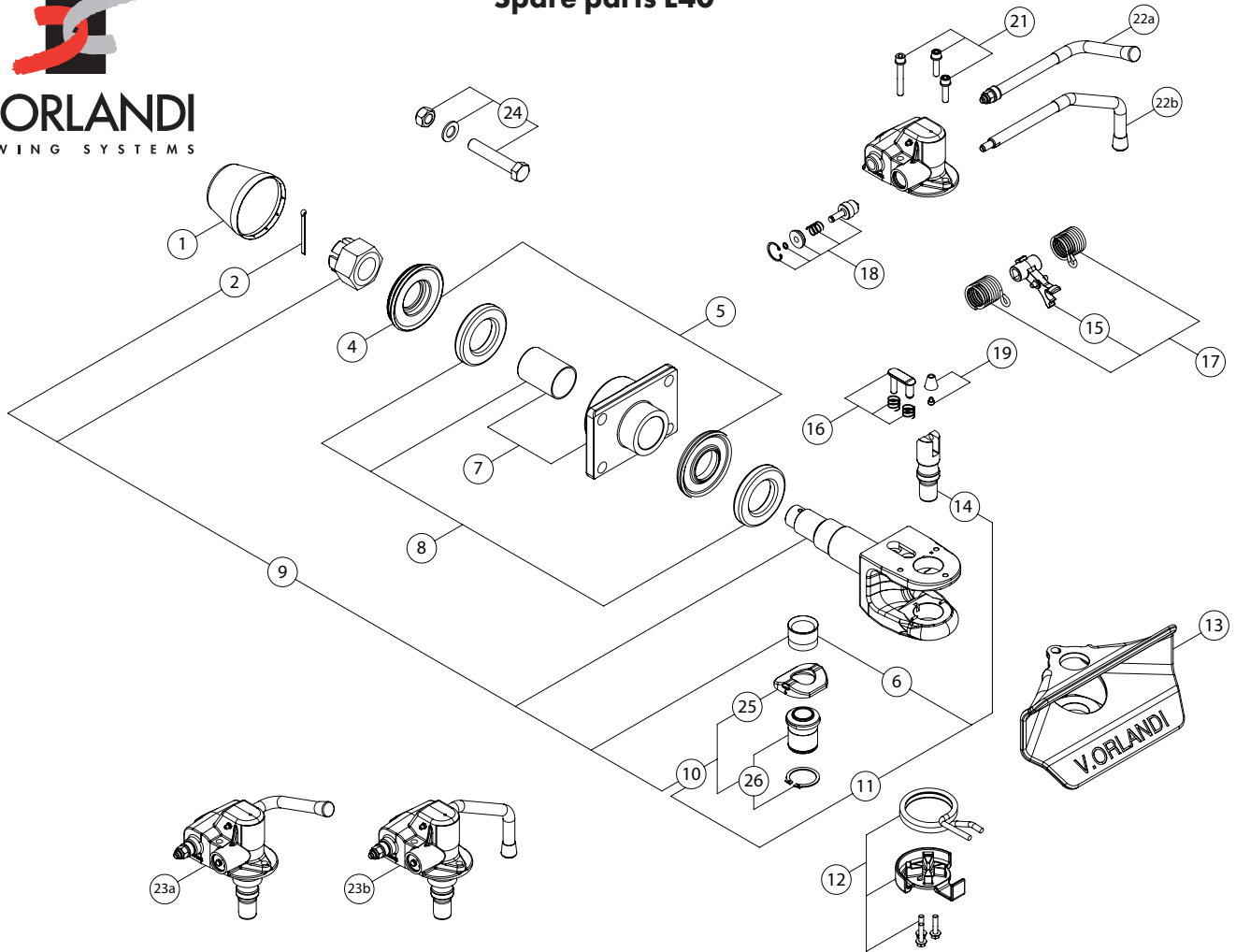
- A = Action lever upwards
- B = Action lever downwards
- H = Action lever upwards
- Only for "9" version

Versions

- 0 = Standard
- 1 = Standard + CO02601
- 3 = Standard + CO02602
- 4 = Standard + CO02600
- 9 = Standard + CO02601 + CO02200

Lever type	Version			
A/B	1	3	4	9
	 RED GREEN	 ORANGE	 RED GREEN ORANGE	 RED GREEN

Spare parts E40



POS.	Part number	Description
1	RG00603	DUST CAP
2	RG00064	SPLIT PIN
4	RG00175	REAR FLANGE
5	RG00189	KIT FRONT / REAR FLANGES
6	RG00149	UPPER BUSH
7	RG00192	KIT COUPLING FLANGE AND BUSH
8	RG00183	KIT RUBBER BUFFERS AND FLANGE BUSH
9	RG00494	KIT TIE-ROD
10	RG00495	KIT LOWER BUSH WITH STEEL WEAR PAD
11	RG00303	KIT COUPLING PIN, BUSHES AND STEEL WEAR PAD (E40 REBUILD KIT)
12	RG00529	KIT RELOCATING SPRING
13	RG00304	BELL-MOUTH
14	RG00497	TOW PIN PACIFIC
15	RG00306	LOCKING PIN
16	RG00307	KIT COUPLING JAW LOCK PIN
17	RG00308	KIT MECHANISM SPRINGS
18	RG00309	KIT SAFETY DEVICE
19	RG00310	KIT CONE SPRING
21	RG00312	KIT MECHANISM SCREWS
22A	RG00186	OPERATING HANDLE "A" TYPE
22B	RG00187	OPERATING HANDLE "B" TYPE
23A	RG00353	KIT OPERATING UNIT "A" TYPE
23B	RG00354	KIT OPERATING UNIT "B" TYPE
24	RG00132	KIT MOUNTING BOLTS
25	RG00315	STEEL WEAR PAD
26	RG00498	LOWER BUSH

ATTENTION: Pos. 24 is NOT included.



E550 PACIFIC

Automatic drawbar couplings with in-cabin red light

For drawbar eyes	Ø 50	ECE R55-01
------------------	----------------	------------

Technical data

Standard part number	Hole pattern mm	D-Value kN	Dc-Value kN	S-Load kg	V-Value kN	Weight kg	Class	Homologation	
								ECE R55 01	CRN
E550A3P E550B3P E550A3M E550B3M	160x100	330	135	1000 2500	75 50	41,5	C50 X	55R 01 10490	50458

Create your part number:

E550 X X X

Lever type

Version

Wearing pad types

Action lever types

A = Action lever upwards

B = Action lever downwards

Versions

1 = Standard + CO01601

2 = Standard + CO02800

3 = Standard (CO01603 included)

4 = Standard + CO02600

6 = Standard + CO01606

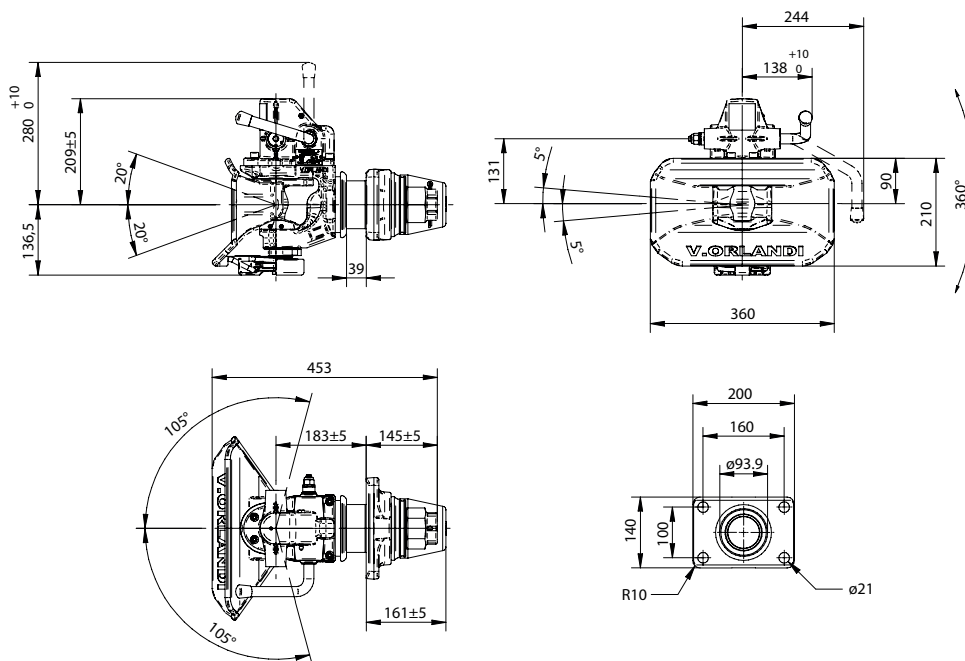
7 = Standard + CO01400 (with Open/
Closed LED Indicators on Valve Box)

9 = Standard + CO02100 (with Open/
Closed LED Indicators on Valve Box)

Wearing pad type

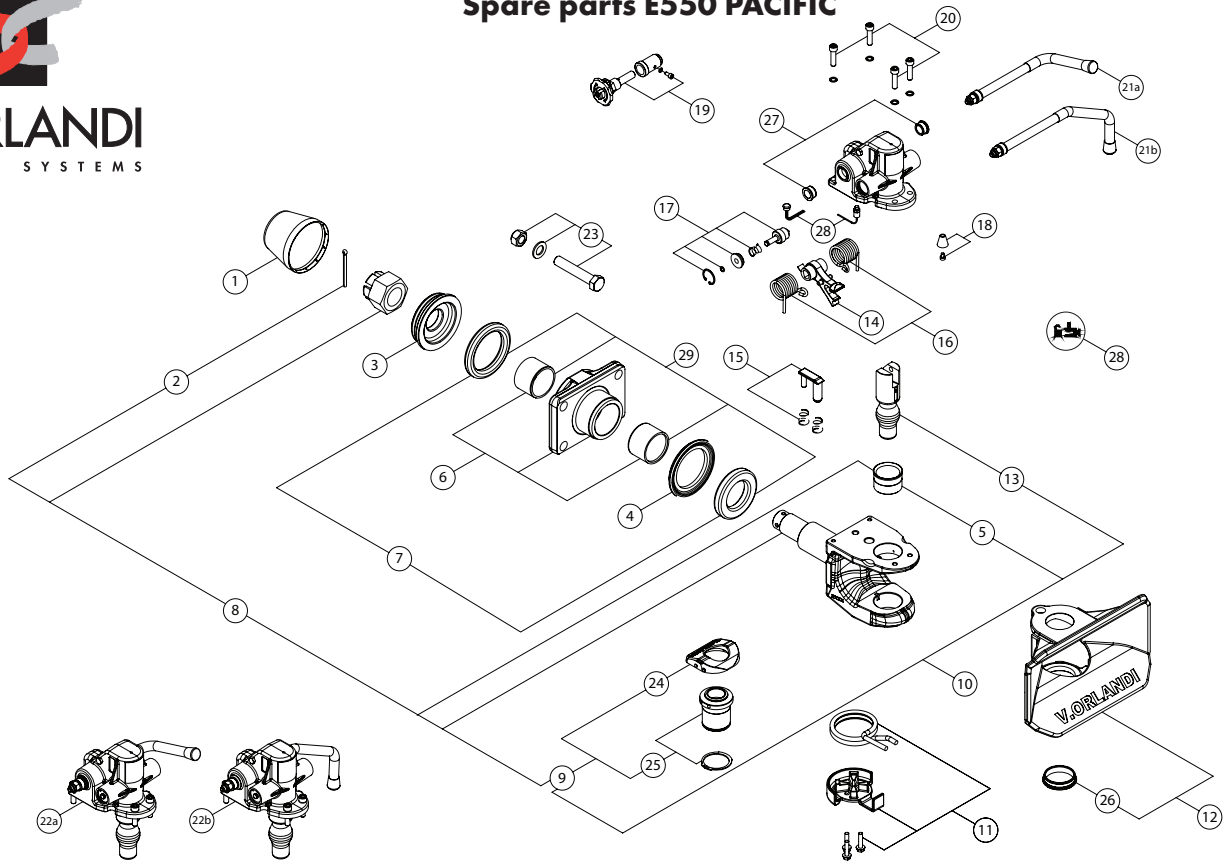
M = Steel wearing pad

P = Plastic wearing pad



Lever type	Version						
A/B	1	2	3	4	6	7	9

Spare parts E550 PACIFIC



POS.	All types	E550B3M E550A3M	E550B3P E550A3P	Description
1	RG00603			DUST CAP
2	RG00678			SPLIT PIN
3	RG00632			REAR FLANGE
4	RG00173			FRONT FLANGE
5	RG00604			UPPER BUSH
6	RG00605			KIT COUPLING FLANGE AND BUSHES
7	RG00688			KIT POLYURETHANE BUFFERS
8 (2, 5, 8, 9)		RG00679	RG00680	RG00679 KIT TIE-ROD AND STEEL WEAR PAD - RG00680 KIT TIE-ROD + PLASTIC WEAR PAD
9		RG00609	RG00610	RG00609 KIT LOWER BUSH WITH STEEL WEAR PAD - RG00610 KIT LOWER BUSH WITH PLASTIC WEAR PAD
10		RG00623	RG00624	E550 REBUILT KIT: WITH PLASTIC WEAR PAD (RG00624), WITH METAL WEAR PAD (RG00623)
11	RG00529			KIT RECALLING SPRING SUPPORT
12	RG00587			KIT BELL MOUTH AND BRONZE BUSH
13	RG00612			TOW PIN
14	RG00188			LOCKING PIN
15	RG00179			KIT BELL-MOUTH LOCK PIN
16	RG00178			KIT MECHANISM SPRINGS
17	RG00181			KIT SAFETY DEVICE
18	RG00091			KIT CONE SPRING
20	RG00185			KIT MECHANISM BOLTS
21A		RG00186	RG00186	OPERATING HANDLE "A" TYPE
21B		RG00187	RG00187	OPERATING HANDLE "B" TYPE
22A		RG00615	RG00615	KIT OPERATING UNIT "A" TYPE
22B		RG00616	RG00616	KIT OPERATING UNIT "B" TYPE
23	RG00728			KIT MOUNTING BOLTS (not included)
24		RG00614	RG00613	RG00614 PLASTIC WEAR PAD - RG00613 STEEL WEAR PAD
25	RG00611			KIT LOWER BUSH
26	RG00585			BELL-MOUTH BRONZE BUSH
27	RG00586			KIT OPERATING BOX BRONZE BUSHES
28	CO02603			KIT IN-CABIN RED LIGHT
29	RG00689			KIT POLYURETHANE BUFFER & FLANGE BRONZE BUSHES

ATTENTION: Pos. 23 is NOT included.



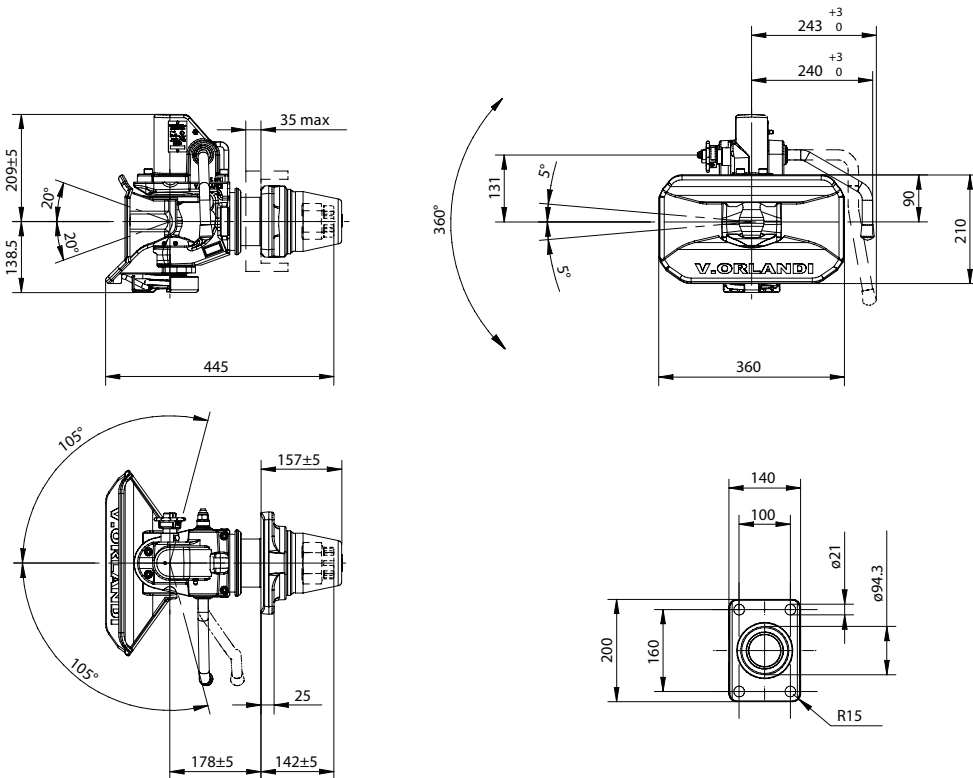
E551 PACIFIC

Automatic drawbar couplings with mechanical device

For drawbar eyes	\emptyset 50	ECE R55-01
------------------	--------------------------	------------

Technical data

Standard part number	Hole pattern mm	D-Value kN	Dc-Value kN	S-Load kg	V-Value kN	Weight kg	Class	Homologation	
								ECE R55 01	CRN
E551BOM E551BOP E551COM E551COP	160x100	330	135	1000	75	42	C50 X	55R 01 10490	50458
				2500	50				



Create your part number:

E551 X X X

Lever type

Version

Wearing pad types

Action lever types

B = Action lever downwards

C = Long action lever downwards

Versions

0 = Standard

1 = Standard + CO02601

3 = Standard + CO01603

6 = Standard + CO01606

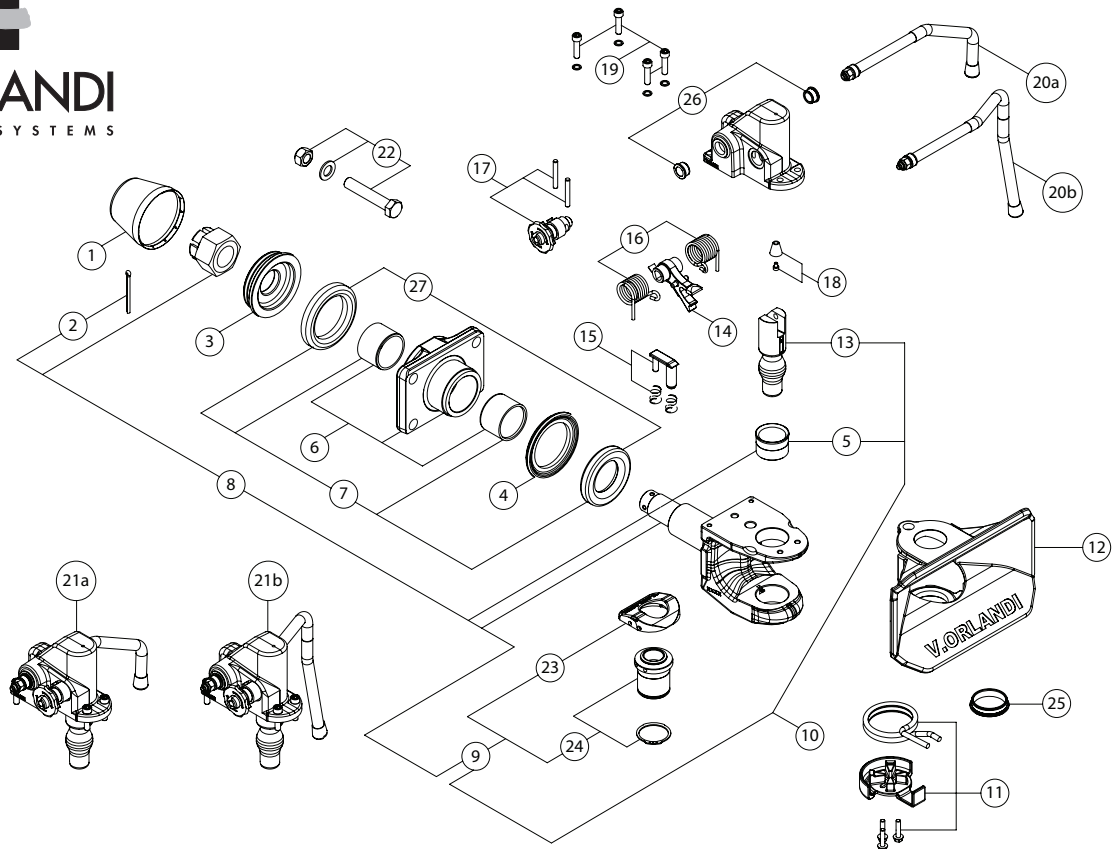
Wearing pad type

M = Steel wearing pad

P = Plastic wearing pad

Lever type		Version		
B	C	1	3	6
		 RED GREEN ORANGE	 RED	 GREEN

Spare parts E551 PACIFIC



POS.	All types	E551BOM	E551BOP	E551COM	E551COP	Description
1	RG00603					DUST CAP
2	RG00678					SPLIT PIN
3	RG00632					REAR FLANGE
4	RG00173					FRONT FLANGE
5	RG00604					UPPER BUSH
6	RG00605					KIT COUPLING FLANGE AND BUSHES
7	RG00689					KIT POLYURETHANE RUBBER BUFFERS AND BRONZE BUSHES
8		RG00679	RG00680	RG00679	RG00680	RG00679 KIT TIE-ROD AND STEEL WEAR PAD - RG00680 KIT TIE-ROD + PLASTIC WEAR PAD
9		RG00609	RG00610	RG00609	RG00610	RG00609 KIT LOWER BUSH WITH STEEL WEAR PAD - RG00610 KIT LOWER BUSH WITH PLASTIC WEAR PAD
10		RG00623	RG00624	RG00623	RG00624	RG00623 REBUILT KIT: COUPLING PIN, BUSHES AND STEEL WEAR PAD RG00624 REBUILT KIT: COUPLING PIN, BUSHES AND PLASTIC WEAR PAD
11	RG00529					KIT RECALLING SPRING SUPPORT
12		RG00193	RG00193	RG00587	RG00587	RG00193 BELL MOUTH - RG00587 KIT BELL MOUTH AND BRONZE BUSH
13	RG00612					TOW PIN
14	RG00681					LOCKING PIN
15	RG00179					KIT BELL-MOUTH LOCK PIN
16	RG00178					KIT MECHANISM SPRINGS
17	RG00682					KIT SAFETY DEVICE
18	RG00091					KIT CONE SPRING
19	RG00185					KIT MECHANISM BOLTS
20A		RG00187	RG00187			OPERATING HANDLE "B" TYPE
20B				RG00683	RG00683	OPERATING HANDLE "C" TYPE
21A		RG00684	RG00684			KIT OPERATING UNIT "B" TYPE
21B				RG00685	RG00685	KIT OPERATING UNIT "C" TYPE
22	RG00728					KIT MOUNTING BOLTS
23		RG00614	RG00613	RG00614	RG00613	RG00613 PLASTIC WEAR PAD - RG00614 METAL WEAR PAD
24	RG00611					KIT LOWER BUSH
25				RG00585	RG00585	BELL-MOUTH BRONZE BUSH
26	RG00586					KIT OPERATING BOX BRONZE BUSHES
27	RG00688					KIT POLYURETHANE BUFFERS - RG00649 KIT RUBBER BUFFERS

ATTENTION: Pos. 22 is NOT included.



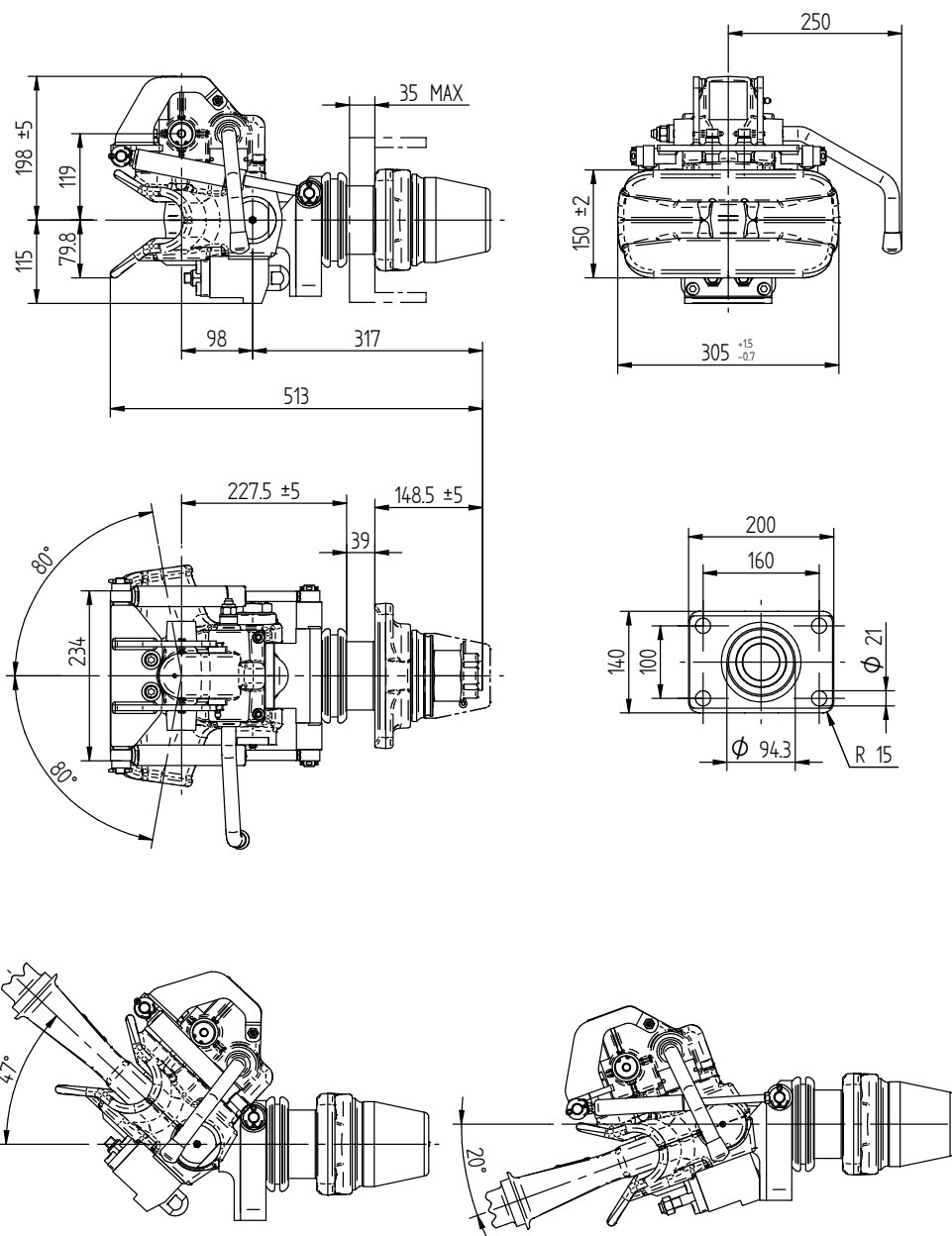
EH500 PACIFIC

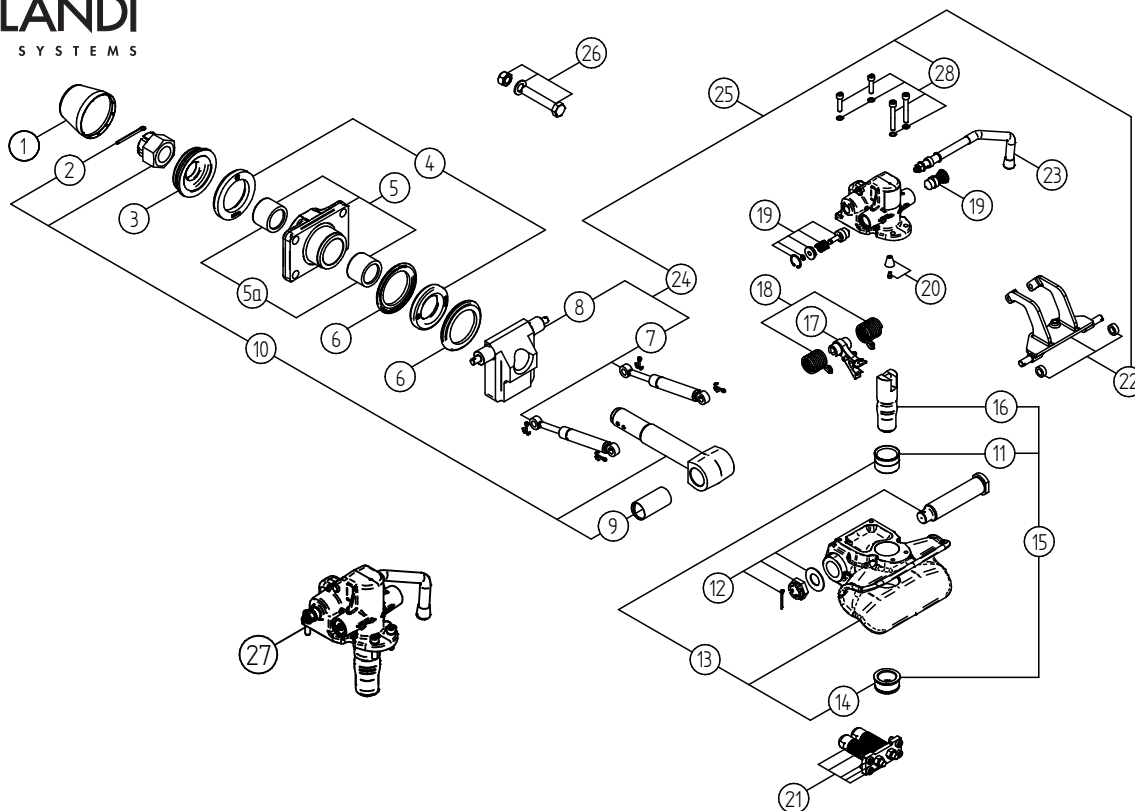
Tip over axle trailer coupling

For drawbar eyes	\varnothing 50	94/20/CE
------------------	----------------------------	----------

Technical data

Part number	Hole pattern mm	D-Value kN	Weight kg	Homologation	
				ECE	CRN
EH500B0	160x100	220	58	55R 01 3026	37743





POS.	Part number	Description
1	RG00603	DUST CAP
2	RG00678	SPLIT PIN
3	RG00632	REAR FLANGE
4	RG00688	KIT POLYURETHANE RUBBER BUFFERS
5	RG00718	KIT COUPLING FLANGE AND BUSHES
5A	RG00435	KIT FLANGE BUSHES
6	RG00173	FRONT FLANGES
7	RG00366	KIT GAS SHOCK ABSORBERS
8	RG00719	FRONT FLANGE
9	RG00526	ARTICULATION BUSH
10	RG00525	KIT TIE-ROD WITH ARTICULATION BUSH
11	RG00088	UPPER BUSH
12	RG00002	KIT ARTICULATION PIN
13	RG00720	KIT BELL-MOUTH
14	RG00236	LOWER BUSH
15	RG00232	KIT TOW PIN, TOP AND BOTTOM BUSHES
16	RG00231	TOW PIN
17	RG00298	LOCKING PIN
18	RG00178	KIT MECHANISM SPRINGS
19	RG00181	KIT SAFETY DEVICE
20	RG00091	KIT CONE SPRING
21	RG00721	KIT BELL MOUTH SUPPORT
22	RG00722	KIT TOP SUPPORT
23	RG00187	OPERATING HANDLE "B" TYPE
24	RG00723	KIT FRONT FLANGE AND GAS SHOCK ABSORBERS
25	RG00724	KIT STABILITY SYSTEM
26	RG00728	KIT MOUNTING BOLTS
27	RG00230	KIT OPERATING UNIT "B" TYPE
28	RG00368	KIT MECHANISM BOLTS

ATTENTION: Pos. 26 is NOT included.



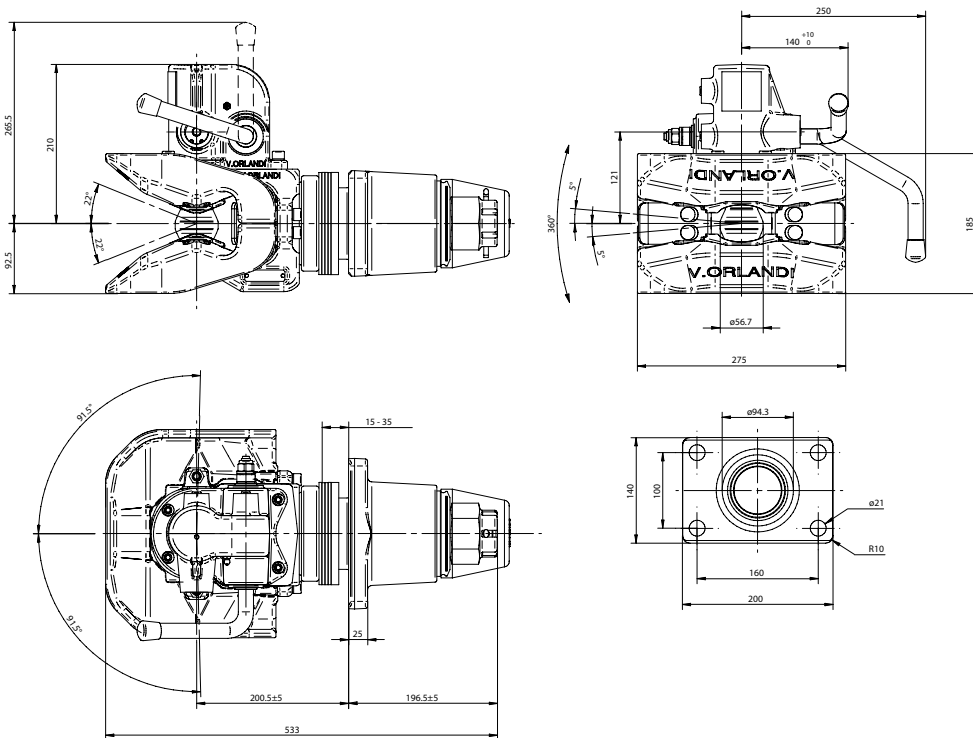
E576 PACIFIC

Automatic drawbar couplings

For drawbar eyes	\varnothing 57,5	SWEDISH STD
------------------	------------------------------	-------------

Technical data

Standard part number	Hole pattern mm	D-Value kN	Dc-Value kN	S-Load kg	V-Value kN	Weight kg	Class	Homologation	
								ECE R55 01	CRN
E576A0M	160x100	350	145	1000	95	60	S	ECE R55 01	CRN
				3000	60			55R 01 10665	50169



Create your part number:

E576 X X X

Lever type

Version

Wearing pad type

Action lever types

A = Action lever upwards

B = Action lever downwards

H = Action lever upwards

Only for "9" version

Versions

0 = Standard

1 = Standard + CO01601

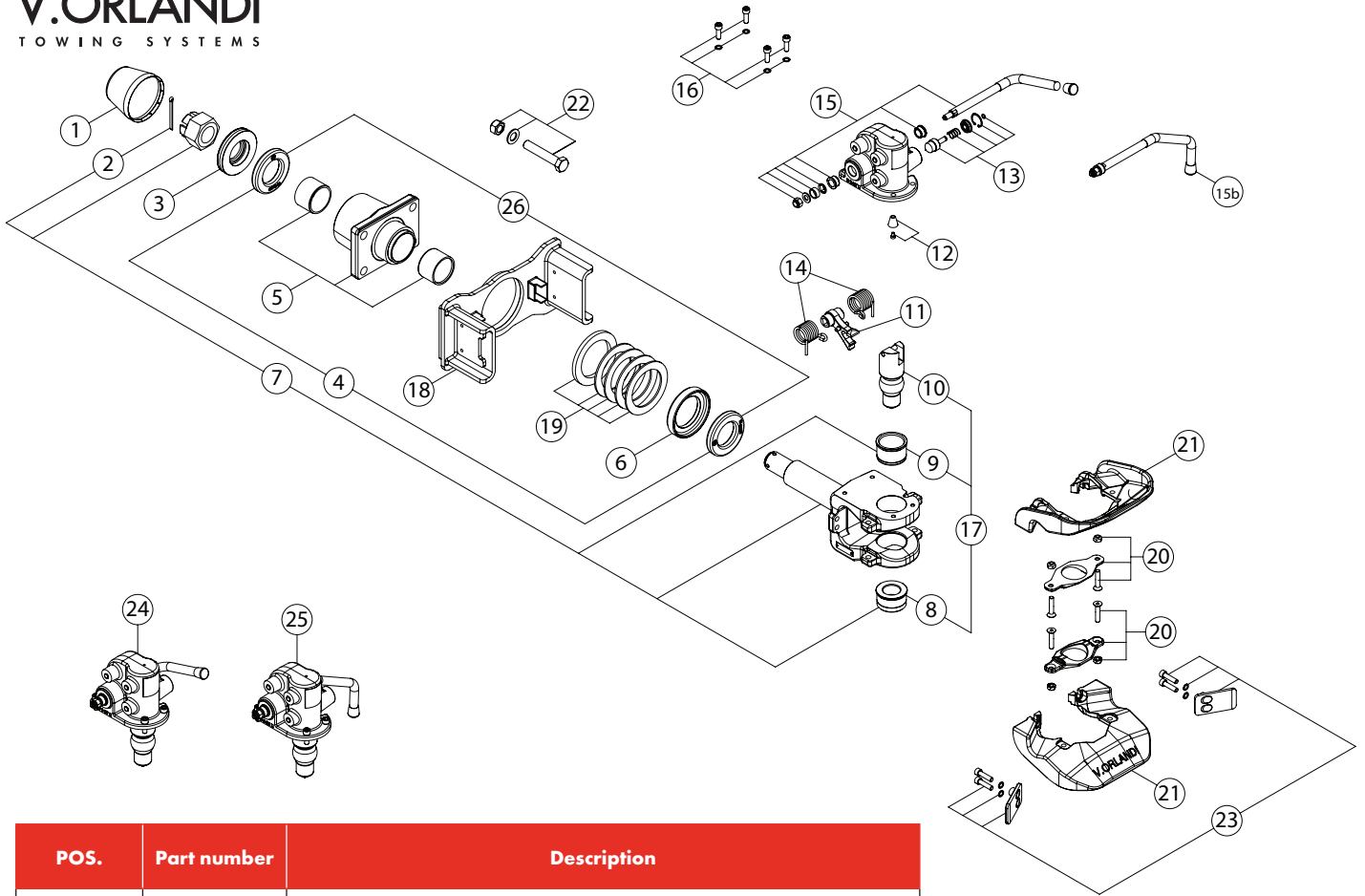
7 = Standard + CO02601 + CO01420

9 = Standard + CO02601 + CO02110

Wearing pad type

M = Metal

Lever type		Version		
A	B	1	7	9



POS.	Part number	Description
1	RG00603	DUST CAP
2	RG00678	SPLIT PIN
3	RG00530	REAR FLANGE
4	RG00711	KIT POLYURETHANE BUFFERS
5	RG00423	KIT COUPLING FLANGE AND BUSHES
6	RG00562	KIT FRONT FLANGE
7	RG00563	KIT TIE-ROD
8	RG00387	LOWER BUSH
9	RG00564	UPPER BUSH
10	RG00378	TOW PIN
11	RG00298	LOCKING PIN
12	RG00091	KIT CONE SPRING
13	RG00309	KIT SAFETY DEVICE
14	RG00178	KIT MECHANISM SPRINGS
15	RG00186	KIT OPERATING HANDLE "A" TYPE
15 B	RG00187	KIT OPERATING HANDLE "B" TYPE
16	RG00185	KIT MECHANISM BOLT
17	RG00567	KIT TOW PIN, TOP AND BOTTOM BUSHES
18	RG00568	KIT ANTI-JACKKNIFE
19	RG00569	KIT MOUNTING SPACERS
20	RG00386	KIT METAL WEAR PADS
21	RG00570	KIT BELL-MOUTH
22	RG00132	KIT MOUNTING BOLTS
23	RG00446	KIT BELL-MOUTH PLATES
24	RG00582	KIT OPERATING UNIT "A" TYPE
25	RG00573	KIT OPERATING UNIT "B" TYPE
26	RG00227	KIT RUBBER BUFFERS
	RG00711	KIT POLYURETHANE RUBBER BUFFERS

ATTENTION: Pos. 18, 22 is NOT included.

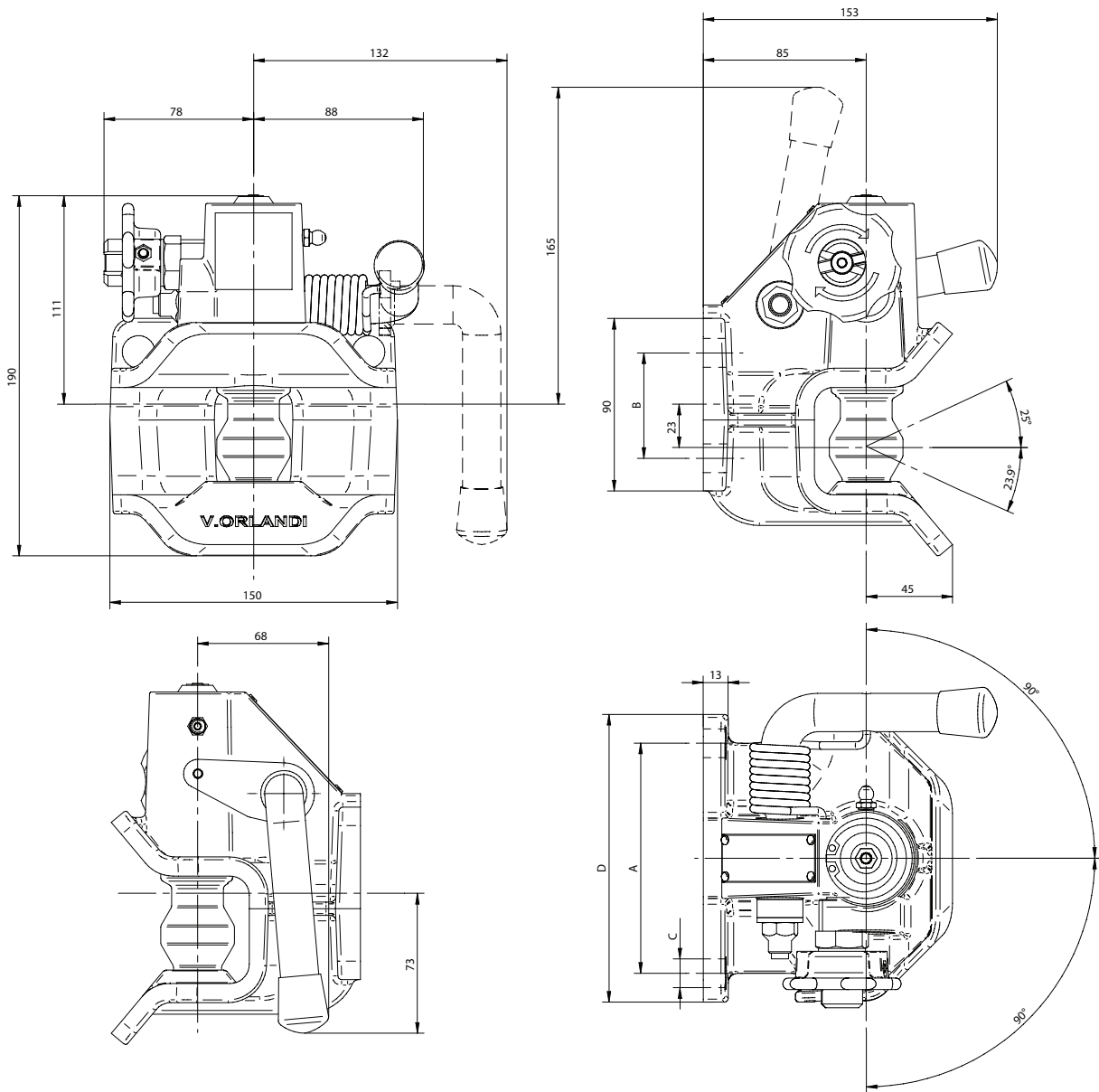


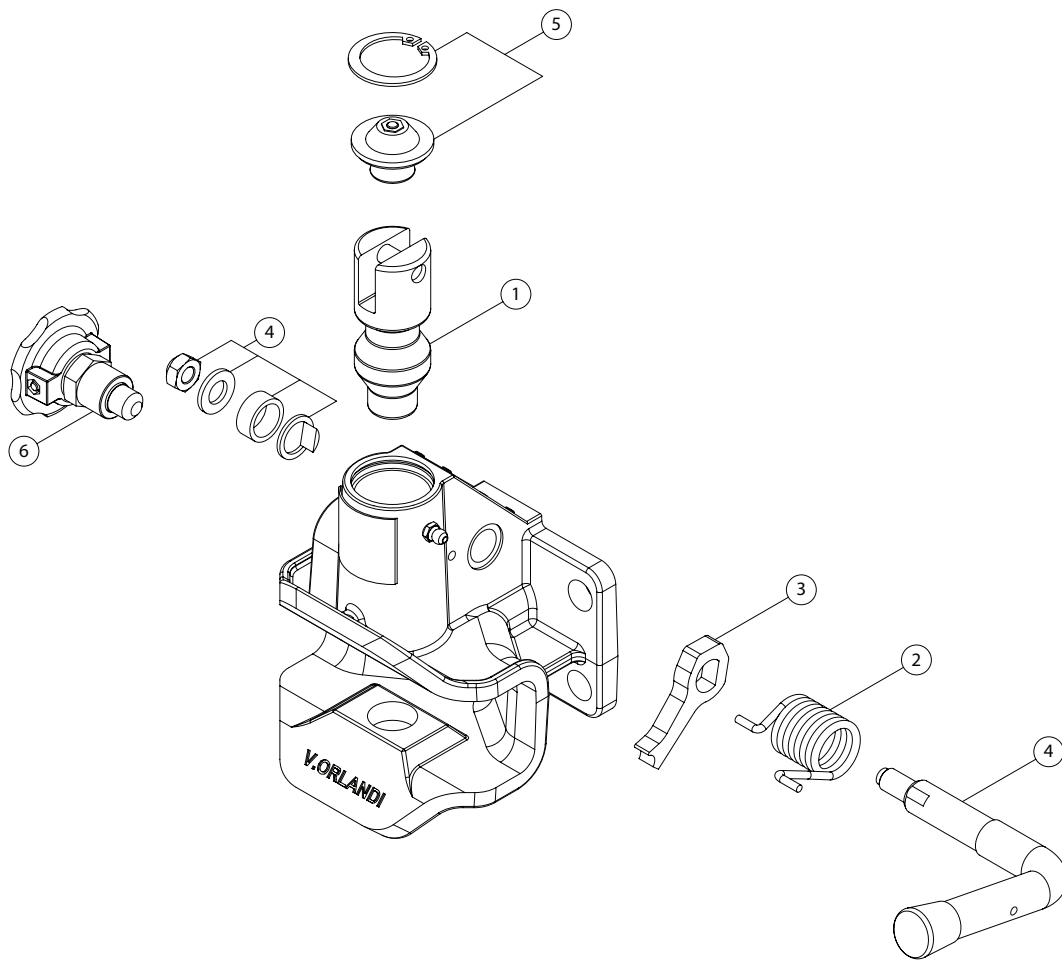
GA38

Automatic couplings

For drawbar eyes	\varnothing 40	DIN 74054
------------------	----------------------------	-----------

Technical data								
Standard part number	Hole pattern mm	D-Value kN	Dc-Value kN	S-Load kg	V-Value kN	Weight kg	Homologation	
GA382A0	120x55	30	30	350	18	5,8	ECE 55R 01	CRN
							E11 55R 01 3282	37744





POS.	Part number	Description
1	RG00254	TOW PIN
2	RG00255	OPERATING SPRING
3	RG00256	LOCKING PIN
4	RG00257	OPERATING HANDLE
5	RG00258	KIT C-CLIP AND CAP
6	RG00335	KIT SAFETY DEVICE



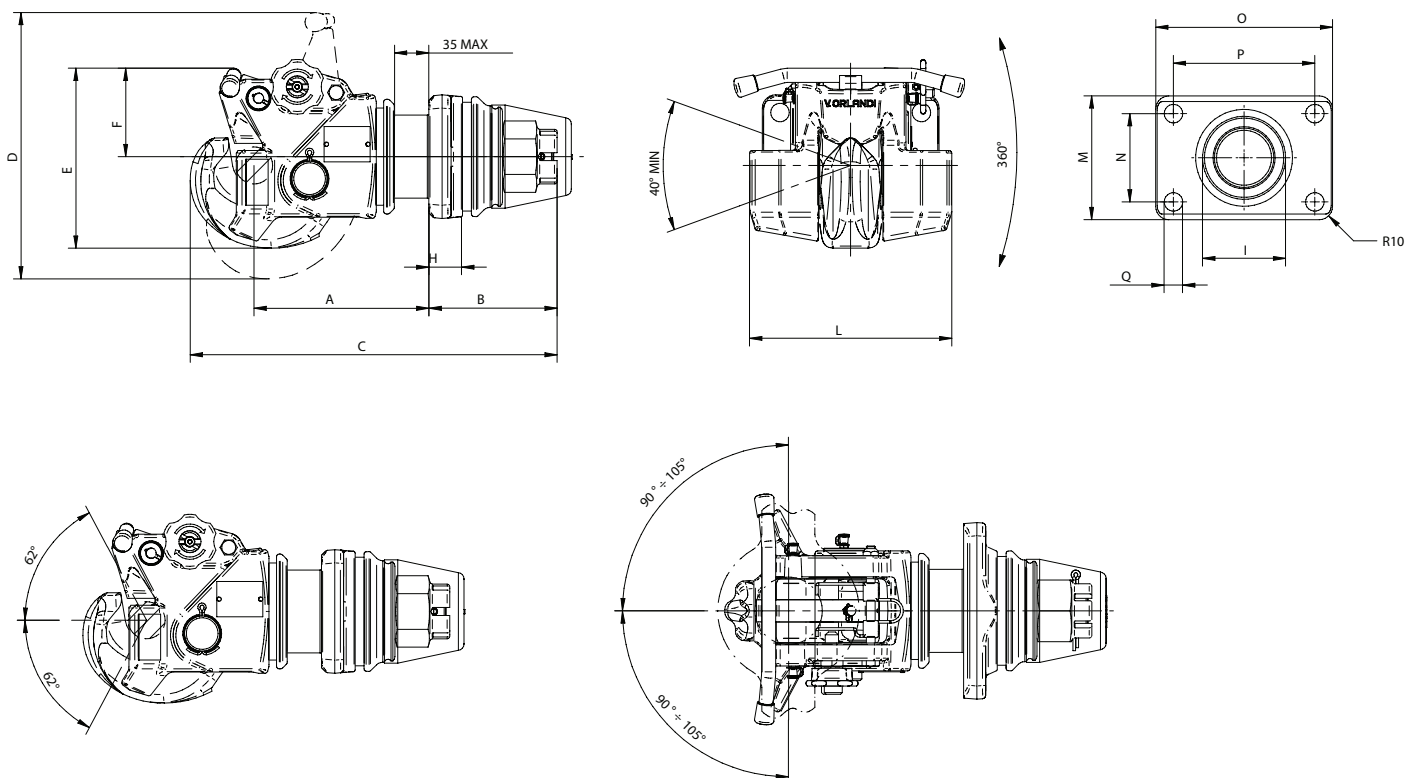
UN 96

Pintle hooks

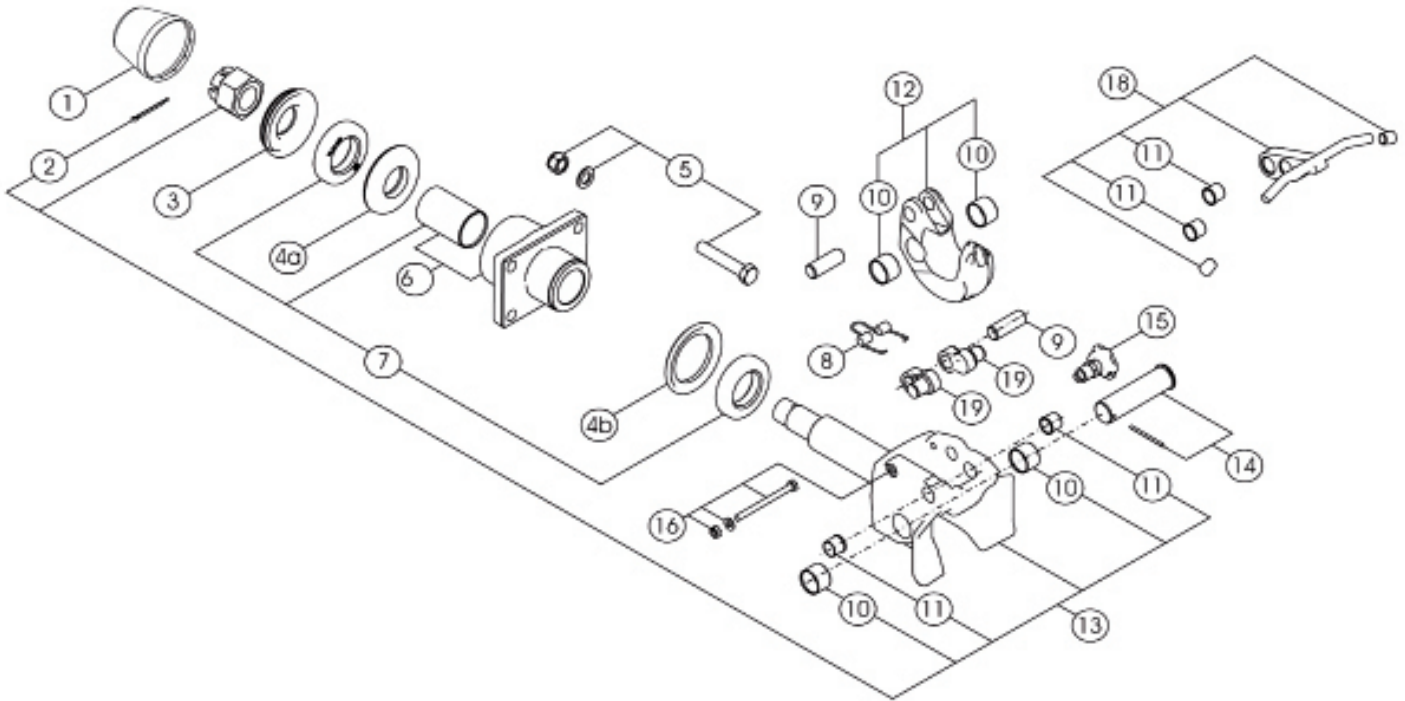
For drawbar eyes	\varnothing 76 T	ECE R55-01
------------------	------------------------------	------------

Technical data

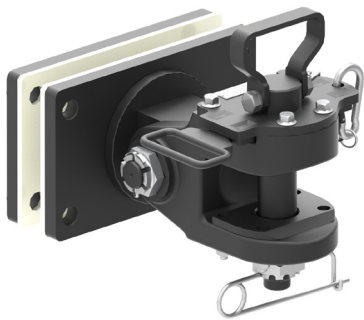
Standard part number	Hole pattern mm	D-Value kN	Dc-Value kN	S-Load kg	V-Value kN	Weight kg	Class	Homologation	
								ECE R55 01	CRN
UN96300	120x55	70	54	700	18	28	KA1	55R 01 3004	50504
UN96400	140x80	100	70	900	25	28	KA2	55R 01 3003	50505
UN96600	160x100	190	103	1500	50	38	KA3	55R 01 3002	50506



Part number	A mm	B mm	C mm	D mm	E mm	F mm	G mm	H mm	L mm	M mm	N mm	O mm	P mm	Q mm
UN 963 00	184	160	410	258	186	93	13	20	190	90	55	155	120	15
UN 964 00	179	165	410	258	186	93	13	20	190	120	80	180	140	17
UN 966 00	197	145	415	301	204	100	10	29	229	140	100	200	160	21



POS.	All types	UN 96300	UN 96400	UN 96600	Description
1	RG00603				DUST CAP
2	RG00064				SPLIT PIN
3		RG00076	RG00175	RG00622	REAR FLANGE
4a		on demand			FRONT FLANGE
4b		RG00216	RG00189	RG00173	FRONT FLANGE
5		RG00130	RG00131	RG00132	KIT MOUNTING BOLTS
6		on demand	on demand	RG00617	KIT COUPLING FLANGE AND BUSH
7		RG00217	RG00183	RG00618	KIT RUBBER BUFFERS
8		RG00471	RG00471	RG00339	RETURN SPRING
9		RG00472	RG00472	RG00331	PINTLE HOOK LOCATING PIN
10		RG00473	RG00473	RG00332	RG00332 BUSH - RG00473 BUSH DIAMETER 30
11		RG00474	RG00474	RG00333	RG00333 BUSH - RG00474 BUSH DIAMETER 20
12		RG00475	RG00475	RG00341	KIT PINTLE HOOK
13		RG00647	RG00647	RG00646	KIT TIE-ROD
14		RG00476	RG00476	RG00334	KIT JAW PIVOT PIN
15	RG00335				KIT SAFETY DEVICE
16		RG00477	RG00477	RG00336	KIT SPRING PIN
18		RG00478	RG00478	RG00345	KIT OPENING LEVER
19		RG00479	RG00479	RG00337	KIT CONNECTING ROD



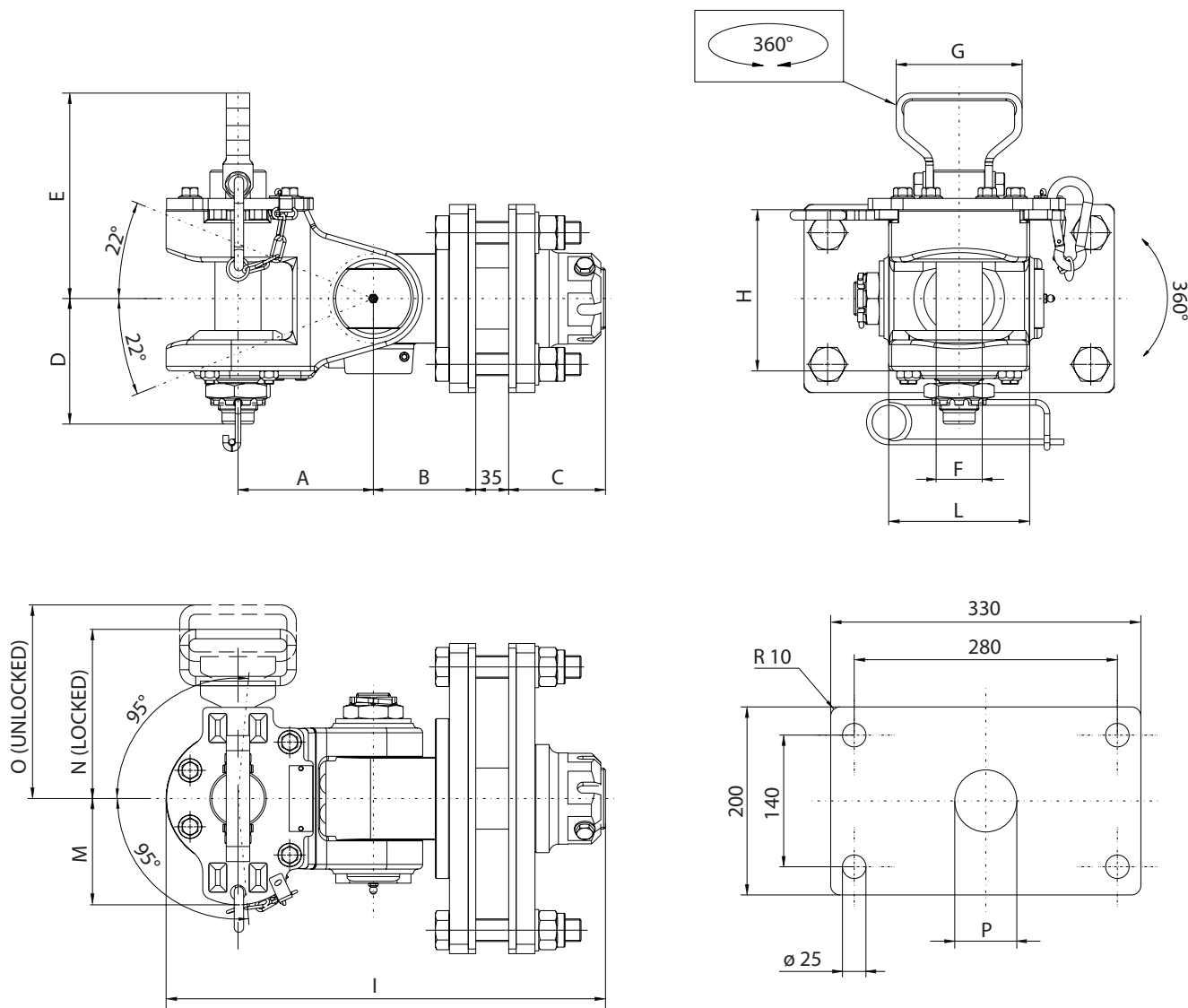
HD 50/70

Trailer coupling for heavy weight transport

For drawbar eyes	Ø 50	Ø 70	ECE R55-01 CRN
------------------	-------------	-------------	-------------------

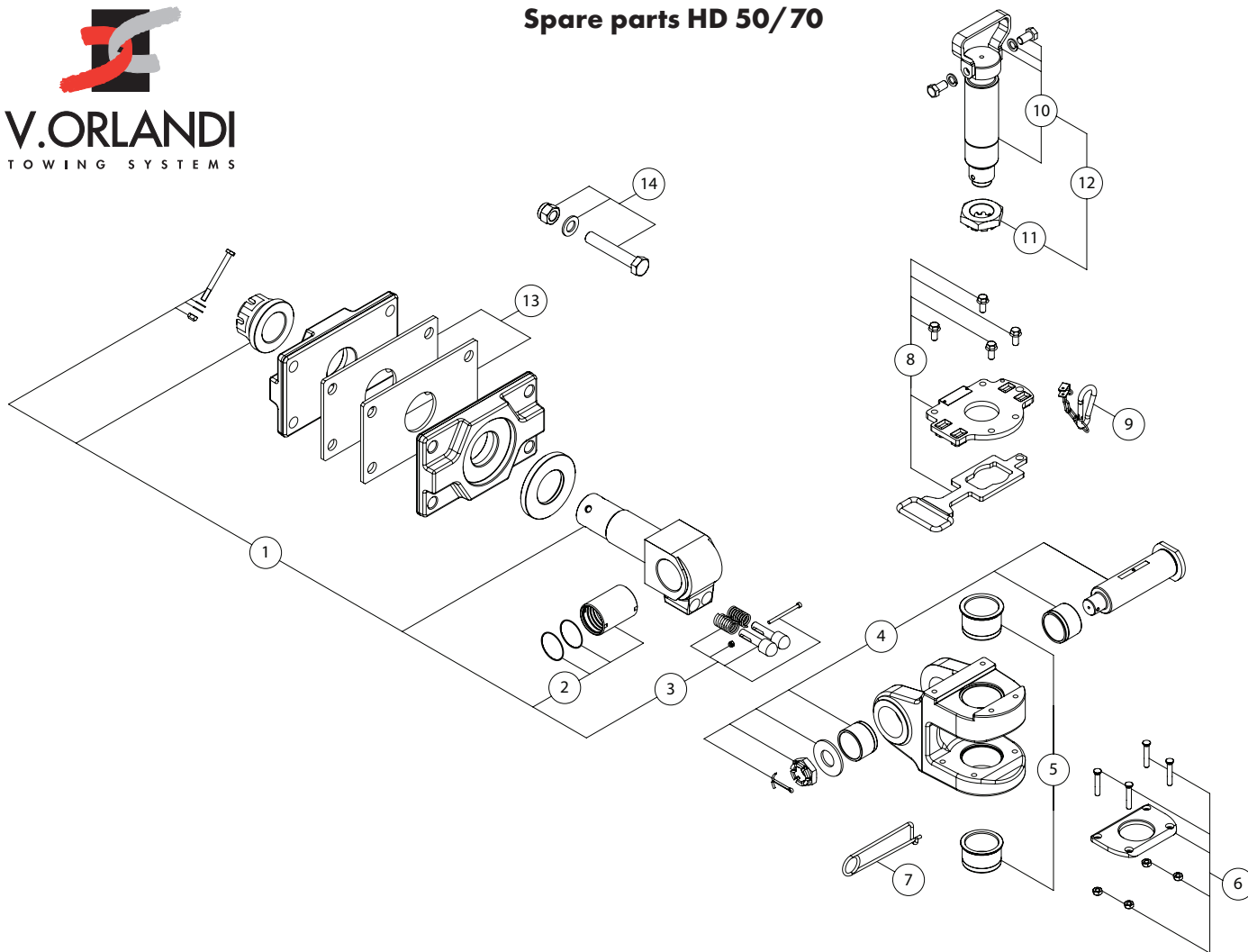
Technical data								
Eye size mm	Standard part number	Hole pattern mm	D-Value kN	Total trailer weight	Weight kg	Class	Homologation	
							ECE R55 01	CRN
50	HD50251	280x140	400	250	72,5	VII	ECE R55 01 0017	50167
70	HD70501	280x140	800	500	111	VIII	ECE R55 01 0019	50168

Attention: MAX SPEED 40 Km/H

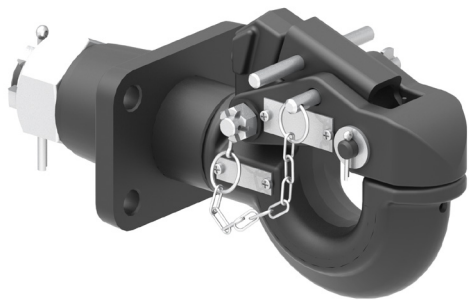


Part number	A mm	B mm	C mm	D mm	E mm	F mm	G mm	H mm	I mm	L mm	M mm	N mm	O mm	P mm
HD50251	144	109	103	133,5	218,5	Ø 49	134	171,5	467,5	150	115	180	206	Ø 66
HD70501	167	129	121	158,5	237,5	Ø 69	144	203,5	543	180	123	194	222	Ø 86

Spare parts HD 50/70



POS.	All types	Part number		Description
		HD50251	HD70501	
1		RG00690	RG00699	KIT TIE-ROD
2		RG00650	RG00652	KIT O-RING AND BUSH
3		RG00691	RG00700	KIT BELL-MOUTH SUPPORT
4		RG00692	RG00701	KIT ARTICULATION PIN AND BRONZE BUSHES
5		RG00693	RG00702	KIT TOP AND BOTTOM BUSHES
6		RG00694	RG00703	KIT WEAR PAD
7	RG00707			SAFETY PIN
8		RG00695	RG00704	KIT LOCKING SYSTEM
9	RG00696			KIT CARABINER
10		RG00697	RG00705	TOW PIN
11		RG00660	RG00661	TOW PIN CASTLE NUT
12		RG00698	RG00706	KIT TOW PIN AND CASTLE NUT
13	RG00659			KIT PLASTIC FLANGES
14	RG00554			KIT BOLT
2, 4		RG00727	RG00726	KIT O-RING + ARTICULATION PIN + BUSHES



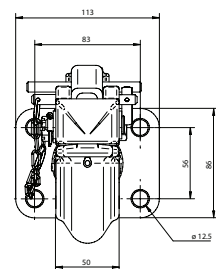
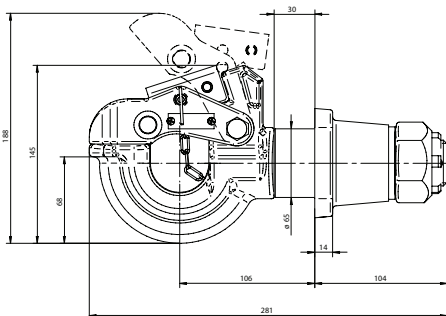
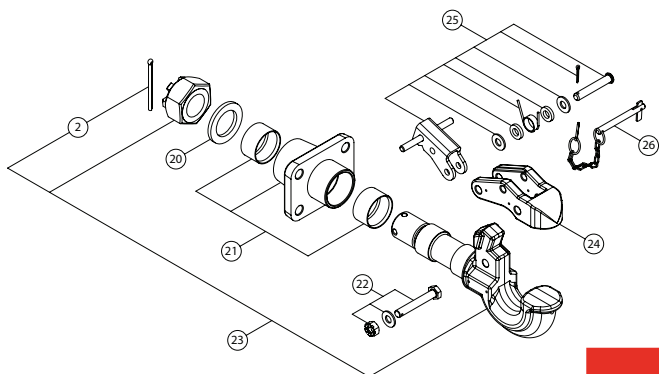
UN 761

Pintle hooks

For drawbar eyes	\emptyset 76 T	ECE R55-01
------------------	----------------------------	------------

Technical data

Standard part number	Hole pattern mm	D-Value kN	Dc-Value kN	S-Load kg	V-Value kN	Weight kg	Class	Homologation	
								ECE R55 01	CRN
UN76100	85x56	27	21	350	15	15	K3	55R 01 3005	50171



POS.	Part number	POS.	Part number
2	RG00369	23	RG00248
20	RG00011	24	RG00349
21	RG00346	25	RG00350
22	RG00347	26	RG00351



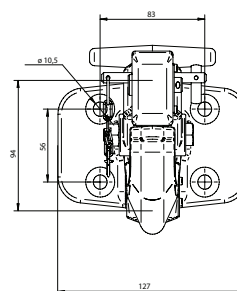
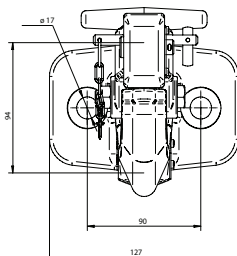
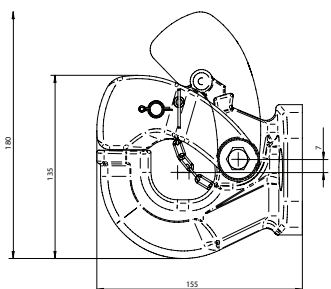
UN 45

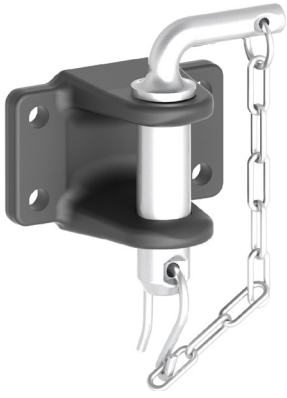
Pintle hooks

For drawbar eyes	\emptyset 76 T	ECE R55-01
------------------	----------------------------	------------

Technical data

Standard part number	Hole pattern mm	D-Value kN	Dc-Value kN	S-Load kg	Weight kg	Class	Homologation	
							CRN	
UN45000	83x56	31	31	340	3,8	S	50170	





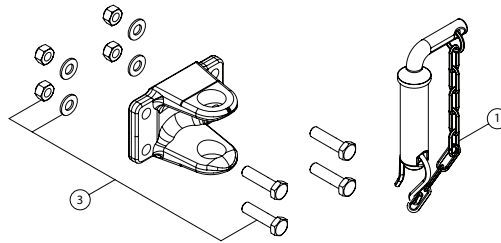
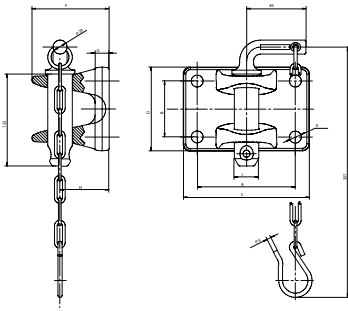
GM10

Private yard tow

For drawbar eyes	∅ 40	DIN 74054
	∅ 50	94/20/CE
	∅ 76 T	ECE R55-01

Technical data

Standard part number	Total trailer weight		Total weight of towing vehicle		Weight kg
	t	t	t	t	
GM10300	25	50			4,2
GM10400	35	70			6
GM10500	50	120			7



POS.	GM103	GM104	GM105
1	RG00219	RG00219	RG00219
3	RG00130	RG00131	RG00132

ATTENTION: Pos. 3 is NOT included.

Part number	A mm	B mm	C mm	D mm	E mm	F mm	G mm	H mm	I mm
GM103	120	55	155	90	∅ 15	102	15	70	∅ 35
GM104	140	80	180	120	∅ 17	110	20	70	∅ 35
GM105	160	100	200	140	∅ 21	110	20	70	∅ 35



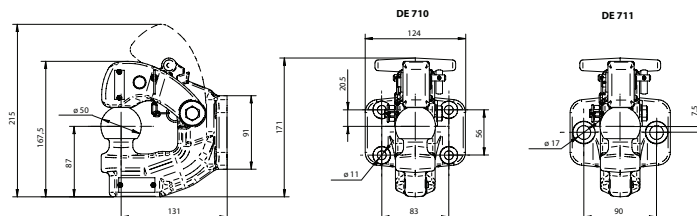
DE 71

Ball hitches

For drawbar eyes	∅ B 50	94/20/CE
	∅ 76 T	ECE R55-01


Technical data

Standard part number	Hole pattern mm	D-Value kN	Dc-Value kN	S-Load kg	Weight kg	Class	Homologation	
							ECE R55-01	CRN
DE00710	83x56	28	28	330	5,5	S	55R 01 3014	50165
DE00711	90	28	28	330	5,5	S	55R 01 3015	50176


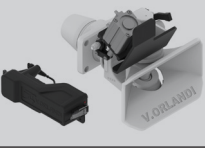



Complementary kits


MECHANICAL REMOTE OPENING

	Article number	Description	Applicable to couplings series	Page
	CO01800	Mechanical remote opening	E520 E550	27

PNEUMATIC REMOTE OPENING

	Article number	Description	Applicable to couplings series	Page
	CO01400 CO01420	Pneumatic remote opening	E520 E550 E576	28 29
	CO02100 CO02110	Pneumatic remote opening "Linear"	E520 E550 E576	30 31
	CO02200	Pneumatic remote opening "Linear"	E40	32

SMART KITS

	Article number	Description	Applicable to couplings series	Page
	CO02600	Open-closed remote indicator + jackknife remote indicator	E40 E520 E550	33
	CO02601	Open-closed remote indicators	E576 E520 E550	33
	CO02602	Jackknife remote indicator	E520 E550	33
	CO02603 CO02606	Open remote indicator Closed remote indicator	E576 E520 E550	33



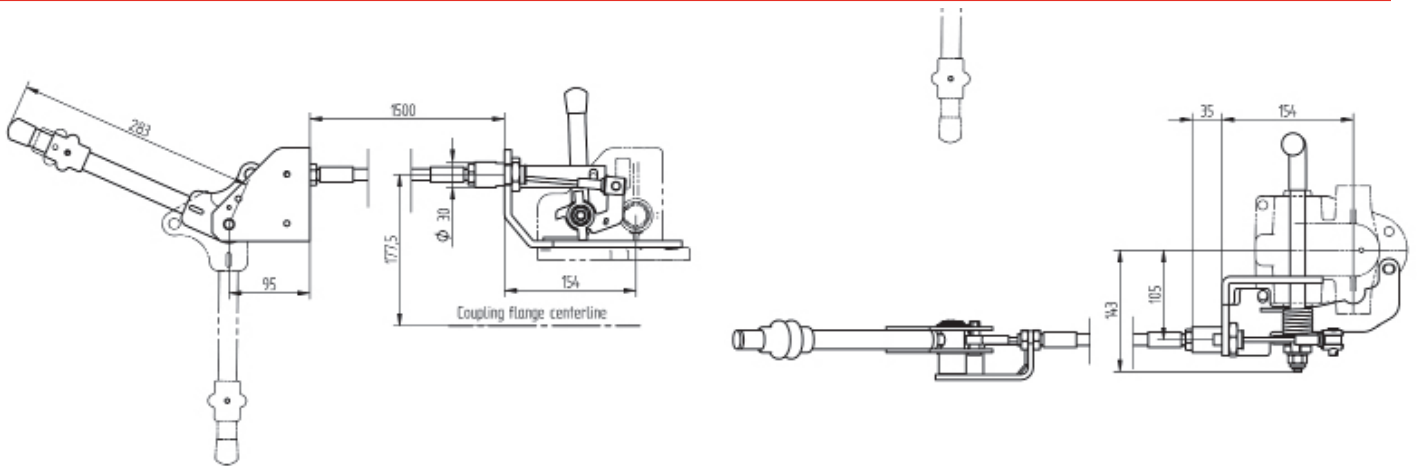
Kit CO01800

Mechanical remote opening

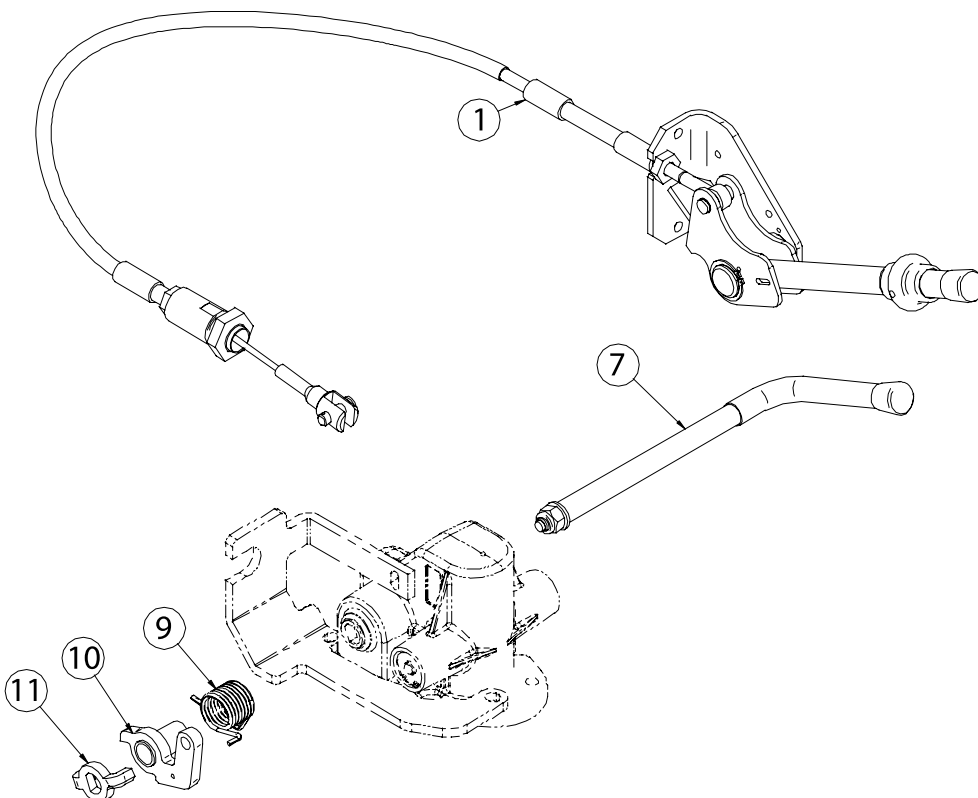
Technical data

Article number	Applicable to couplings series
CO01800	E520 - E550

Main dimensions

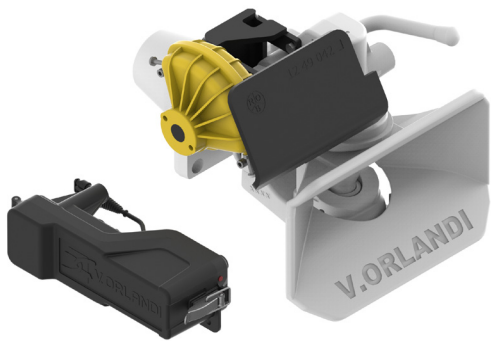


Spare parts



POS.	CO01800
1	RG00410
7	RG00406
9	RG00407
10	RG00409
11	RG00408

ATTENTION: With the above versions is required in the cabin indicator CO01601 (94/20/CE)



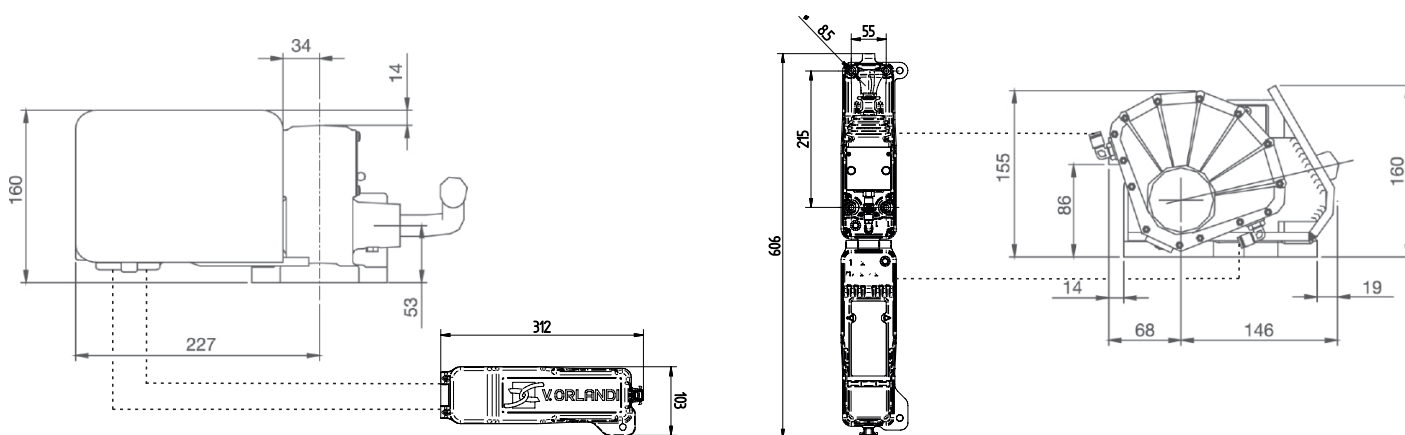
Kit CO01400

Pneumatic remote opening "Kinetrol"

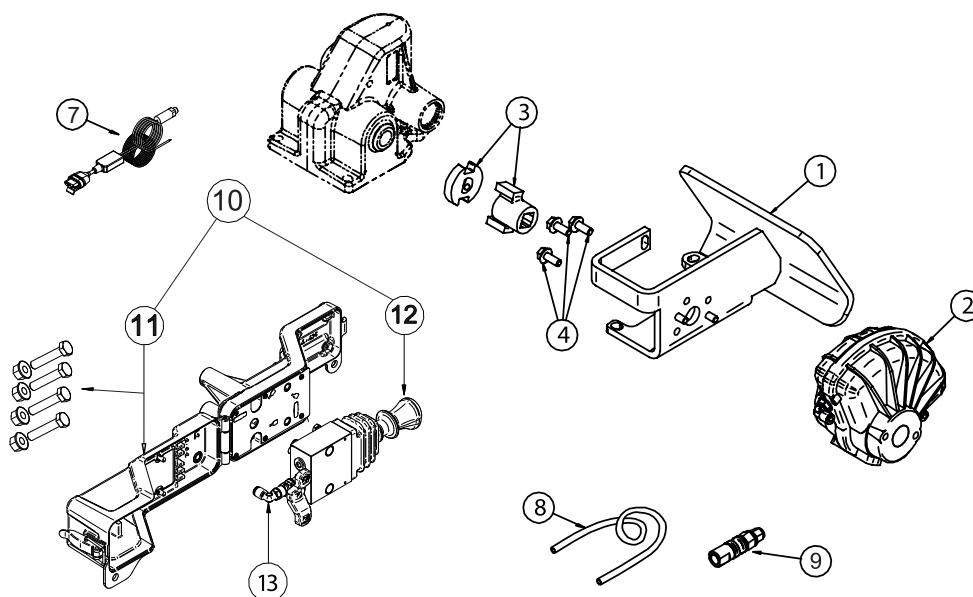
Technical data

Article number	Applicable to couplings series
CO01400	E520 - E550

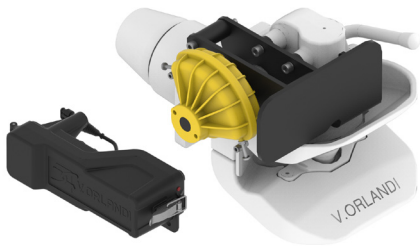
Main dimensions



Spare parts



POS.	CO01400
1 LH	RG00253
1 RH	RG00279
2 - 4	RG00244
3	RG00543
7	RC00011
8	RG00251
9	RG00252
10	RG00664
11	RG00667
12	RG00666
13	RG00665



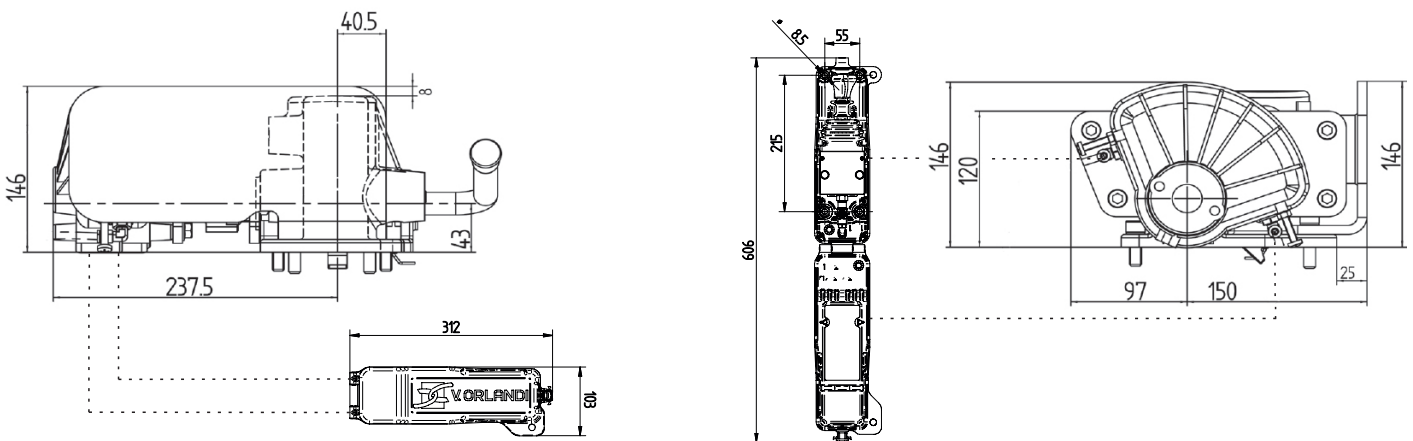
Kit CO01420

Pneumatic remote opening "Kinetrol"

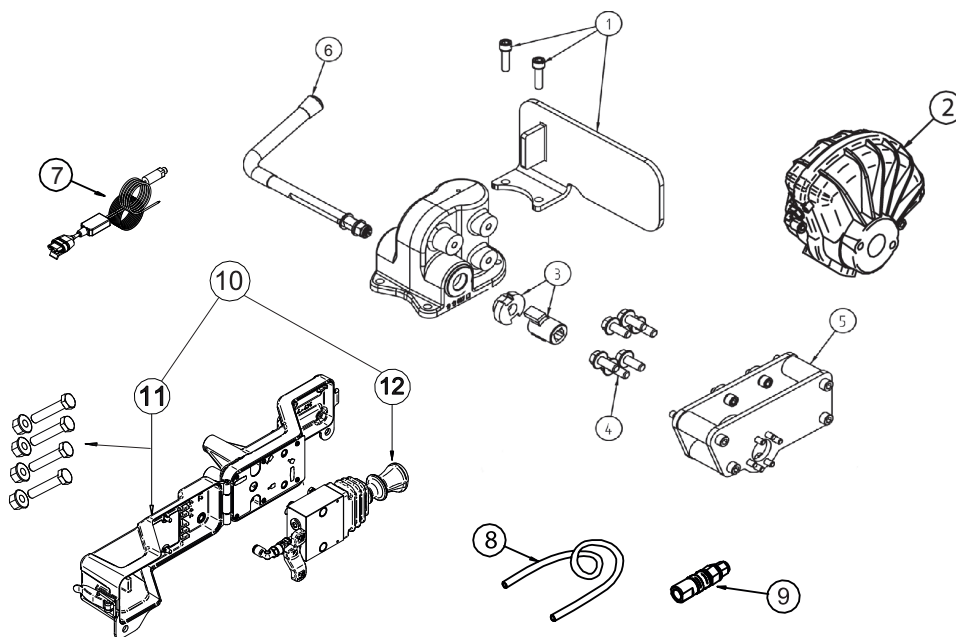
Technical data

Article number	Applicable to couplings series
CO01420	E576

Main dimensions



Spare parts



POS.	CO01420
1	RG00597
2 - 4	RG00247
3	RG00596
5	RG00595
6	RG00598
7	RC00011
8	RG00251
9	RG00252
10	RG00664
11	RG00667
12	RG00666



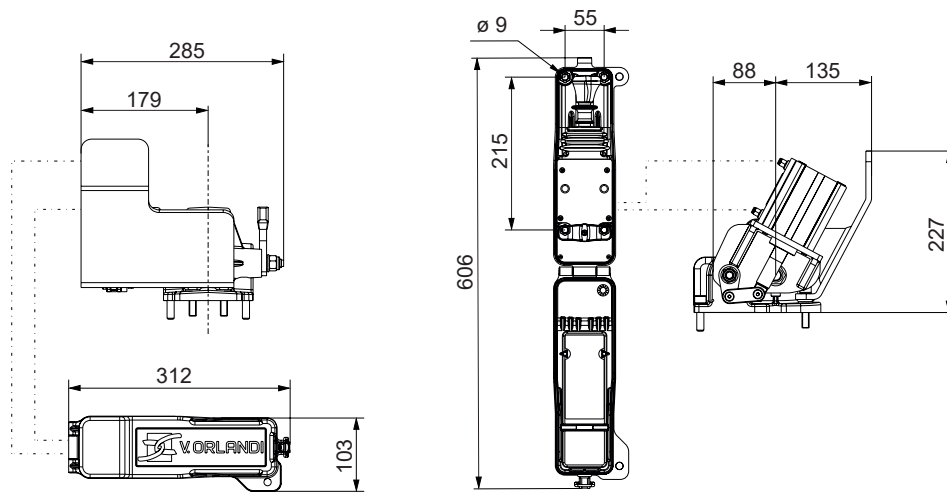
Kit CO02100

Pneumatic remote opening "Linear"

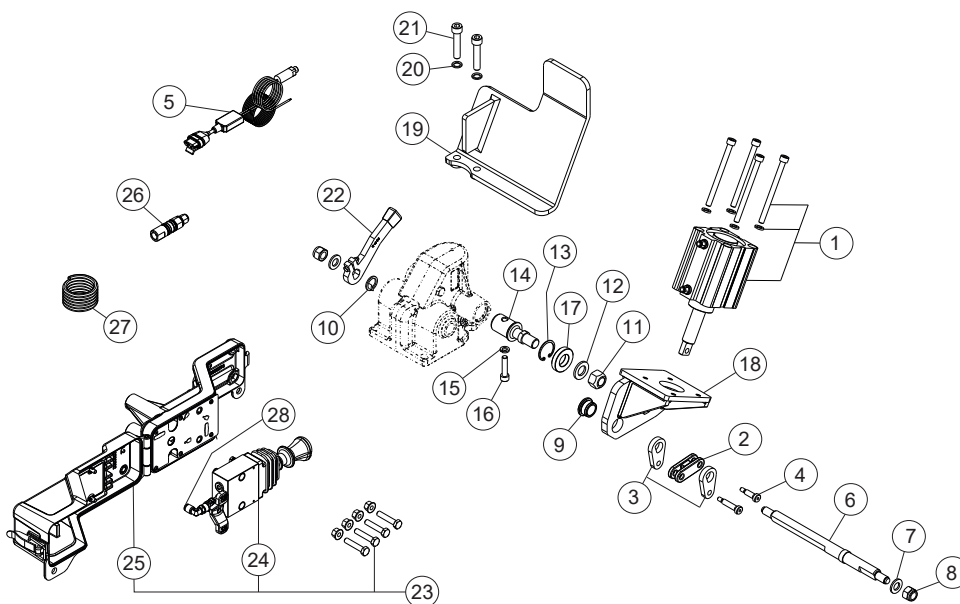
Technical data

Article number	Applicable to couplings series
CO02100	E520 - E550

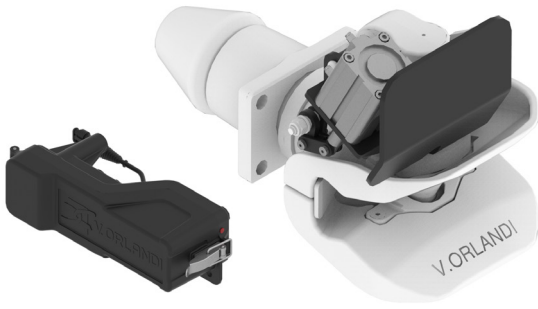
Main dimensions



Spare parts



POS.	CO02100
1	RG00508
2, 3, 4	RG00509
5	RC00011
6, 7, 8, 9, 10	RG00510
11, 12, 13, 14, 15, 16, 17, 18	RG00511
19, 20, 21	RG00512
22	RG00228
23	RG00664
24	RG00666
25	RG00667
26	RG00252
27	RG00251
28	RG00665



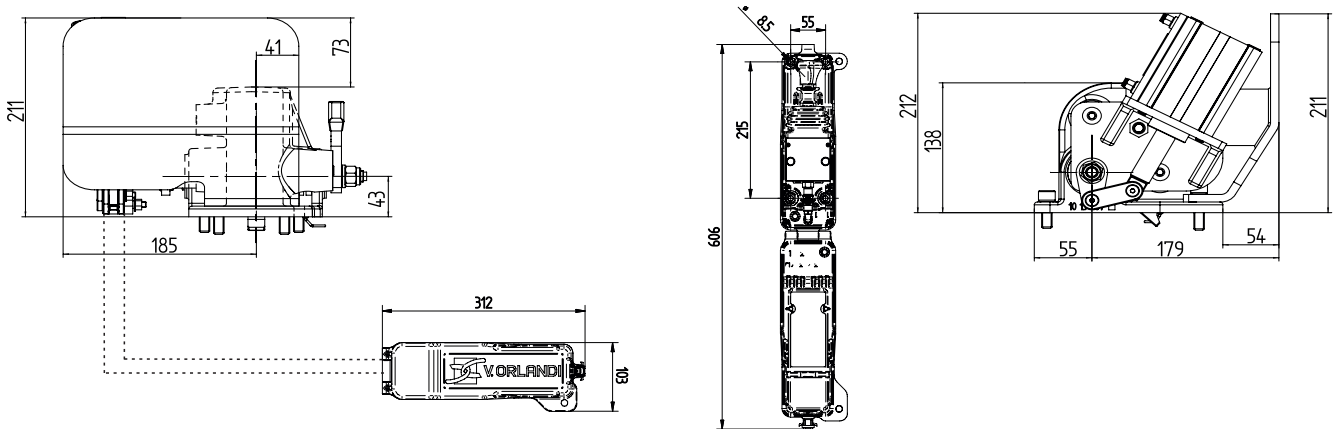
Kit CO02110

Pneumatic remote opening "Linear"

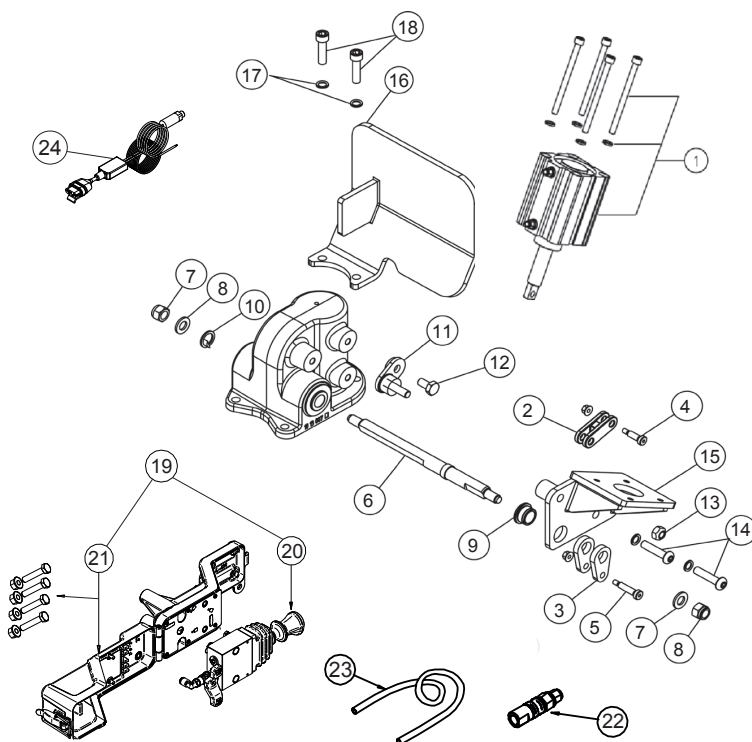
Technical data

Article number	Applicable to couplings series
CO02110	E576

Main dimensions



Spare parts



POS.	CO02110
1	RG00508
2, 3, 4, 5	RG00509
6, 7, 8, 9, 10	RG00627
11, 12, 13, 14, 15	RG00628
16, 17, 18	RG00629
19	RG00664
20	RG00666
21	RG00667
22	RG00252
23	RG00251
24	RC00011



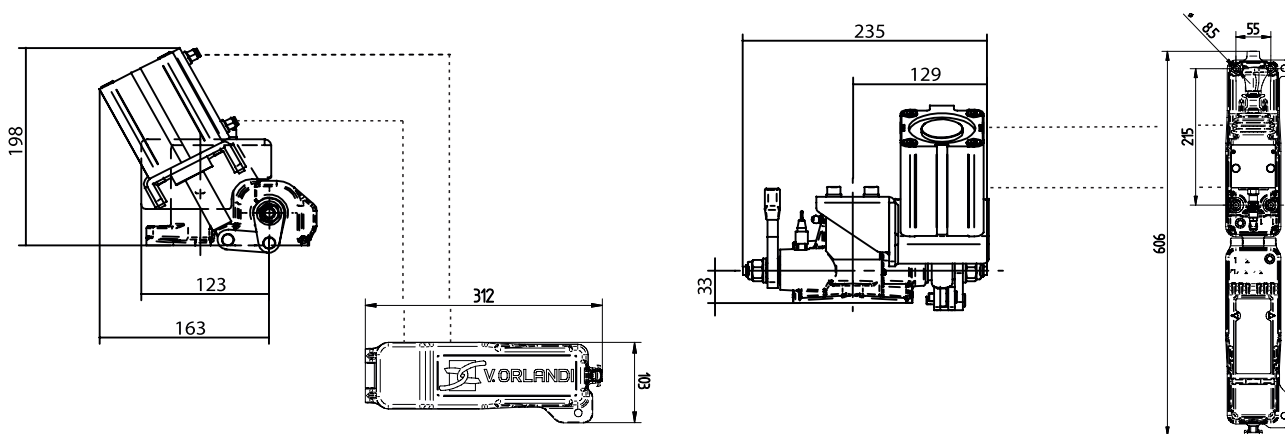
Kit CO02200

Pneumatic remote opening "Linear"

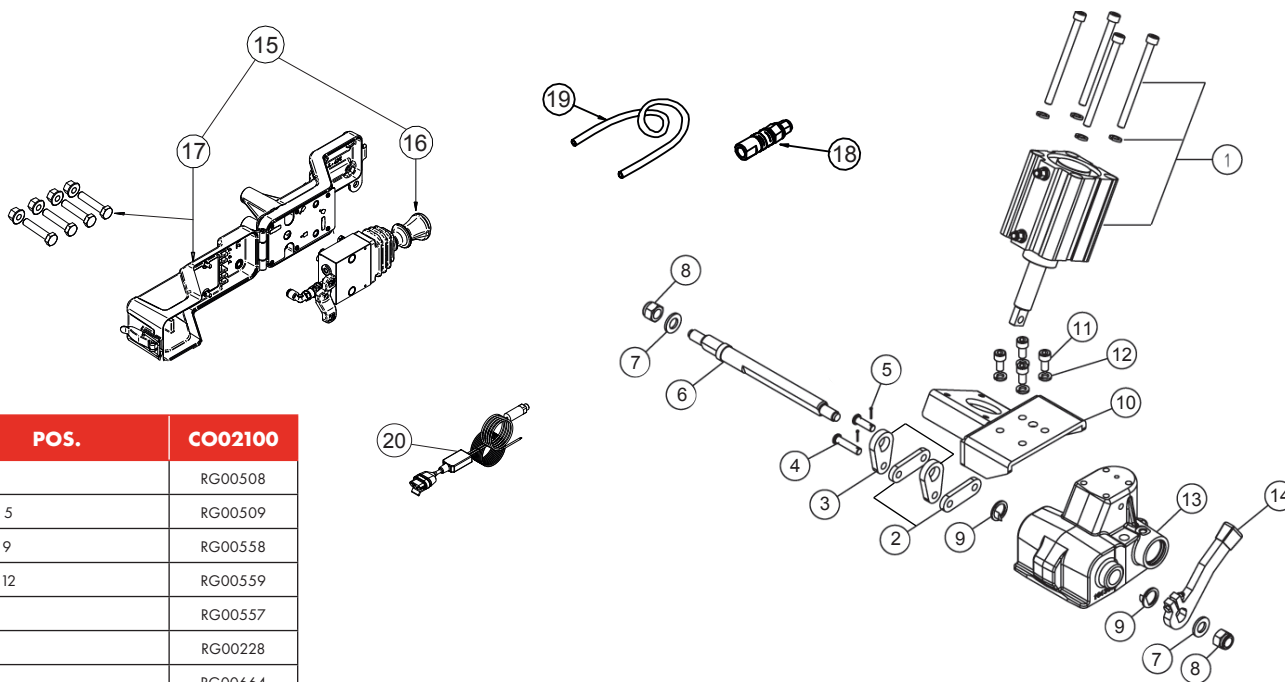
Technical data

Article number	Applicable to couplings series
CO02200	E40

Main dimensions



Spare parts



POS.	CO02100
1	RG00508
2, 3, 4, 5	RG00509
6, 7, 8, 9	RG00558
10, 11, 12	RG00559
13	RG00557
14	RG00228
15	RG00664
16	RG00666
17	RG00667
18	RG00252
19	RG00251
20	RC00011



Smart Kits CO026

In-cabin remote indicators

"T" Connection

Applicable to kit series CO01400, CO01420, CO02100, CO02110, CO0220

Article number RC00015



In-cabin open-closed + jackknife remote indicators

Applicable to couplings series E40, E520, E550, E551

Article number CO02600

RC00001	RC00004	RC00002	RC00006	RC00003	RC00005	RC00012
 (Green)	 (Grey)	 (Red)	 (Black)	 (Orange)	 (Grey)	 (Black)

In-cabin open-closed remote indicator

Applicable to couplings series E40, E520, E550, E576, E551, EH524

Article number CO02601

RC00001	RC00004	RC00002	RC00006
 (Green)	 (Grey)	 (Red)	 (Black)

In-cabin anti jackknife remote indicator

Applicable to couplings series E40, E520, E550, E551

Article number CO02602

RC00003	RC00006	RC00005	RC00012
 (Orange)	 (Black)	 (Grey)	 (Black)

In-cabin open-closed remote indicator

Applicable to couplings series E40, E520, E550, E576, E551, EH524

Article number CO01603

Article number CO01606

RC00002	RC00004	RC00001	RC00004
 (Red)	 (Grey)	 (Green)	 (Grey)

Outside open-closed remote indicator






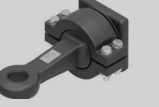








Applicable to couplings series E40, E520, E550, E576, E551, EH524

Article number CO02605

RC00013	RC00011
 (Grey)	 (Grey)

Drawbar eyes

INDEX


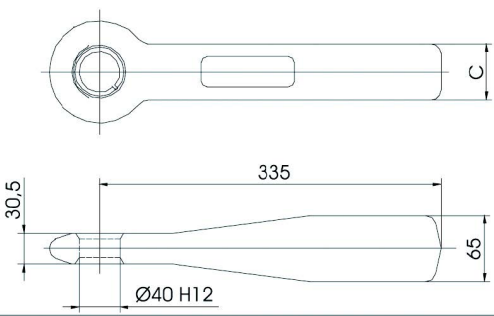
	Description			Page
ø 40 mm	 Weld on drawbar eyes			35
	 Bolt on drawbar eyes			35
	 Flanged drawbar eyes			35
ø 50 mm	 Weld on drawbar eyes			36
	 Bolt on drawbar eyes			36
	 Flanged drawbar eyes			37
	 Clamped drawbar eyes			37
ø 57,5 mm	 Weld on drawbar eyes			38
	 Flanged drawbar eyes			38
ø 70 mm	 Weld on drawbar eyes			38
ø 76 mm	 Weld on drawbar eyes			39
	 Bolt on drawbar eyes			39


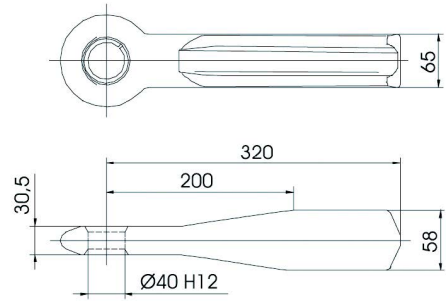
Accessories


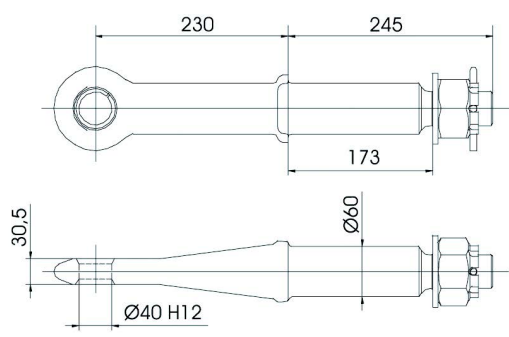
   	Weld in plates - Weld on brackets - Bolts set - Bushes	40
---	--	----


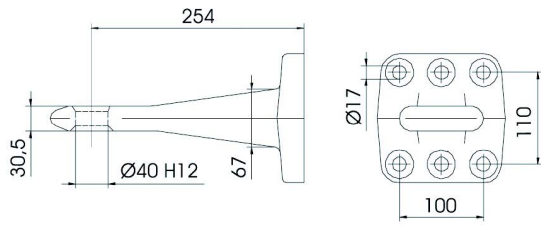
40 mm

Drawbar eyes


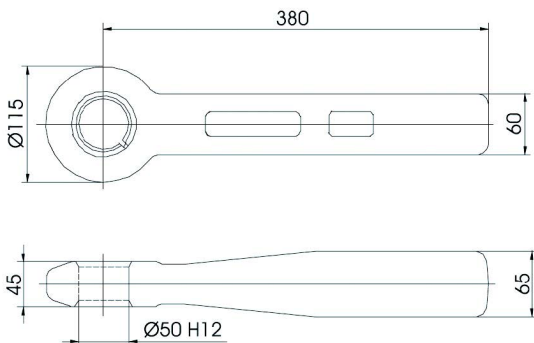
Weld on drawbar eyes							
Technical data							
Part number	Value				C mm	Weight kg	CRN
	D kN	Dc kN	S kg	V kN			
OC40W04	125	74	1000	23	60	8,5	39582


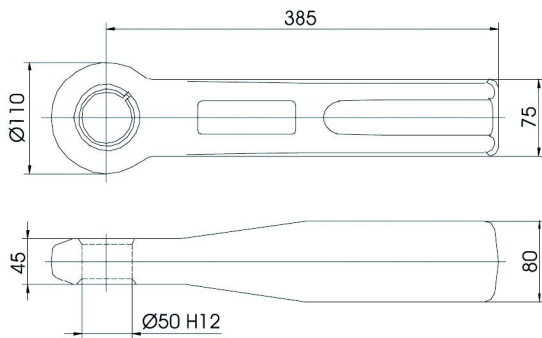
Weld on drawbar eyes				
Technical data				
Part number	D-Value kN	Peso kg	Homologation	
			ECE	CRN
OC40W05	125	5,5	55R-01 0253	50511


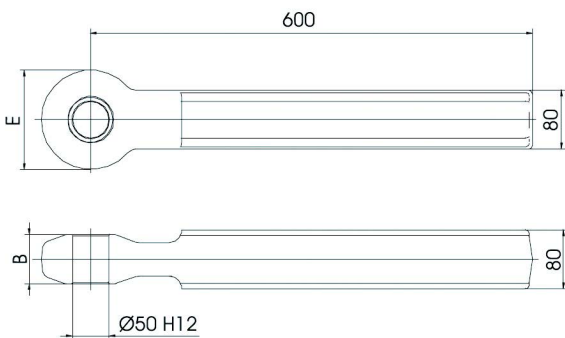
Bolt on drawbar eyes							
Technical data							
Part number	Value				Weight kg	Homologation	
	D kN	Dc kN	S kg	V kN		ECE	CRN
OC40R02	125	74	1000	23	10,7	E1 55R-01 2563	50510


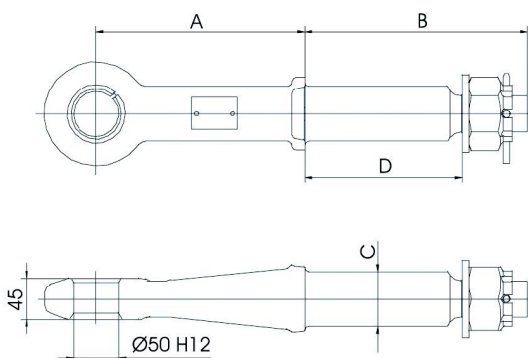
Flanged drawbar eyes							
Technical data							
Part number	Value				Weight kg	Homologation	
	D kN	Dc kN	S kg	V kN		ECE	CRN
OC40F60	125	100	1000	40	10	55R-01 10068	50509

SCREWS INCLUDED

Weld on drawbar eyes								
Technical data								
Part number	Value				Weight kg	Homologation CRN		
	D kN	Dc kN	S kg	V kN				
OC50W01 SPLIT BUSH	190	90	1000	30	11	37469		
OC50WT1 SOLID BUSH								

Weld on drawbar eyes "Heavy duty"								
Technical data								
Part number	D-Value kN	Weight kg	Homologation CRN					
OC50W05 SPLIT BUSH	314	12,5	37468					
OC50WT5 SOLID BUSH								


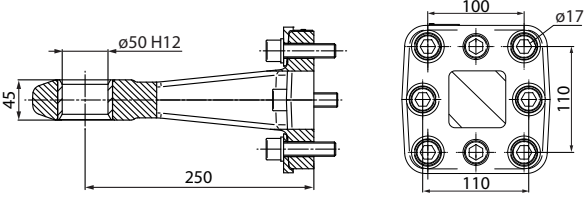
Weld on drawbar eyes "Heavy duty"								
Technical data								
Part number	B mm	E mm	D-Value kN	Total trailer weight t	Weight kg	Homologation CRN		
OC50W04	67	136	400	250	29,4	46332		

Bolt on drawbar eyes								
Technical data								
Part number	A mm	B mm	C mm	D mm	D-Value kN	Weight kg	Homologation CRN	
OC50R09	217	345	49	245	250	12	37722	
OC50R10 SPLIT BUSH	230	245	60	173	250	12,5	37721	
OC50RT1 SOLID BUSH								

50 mm

Drawbar eyes


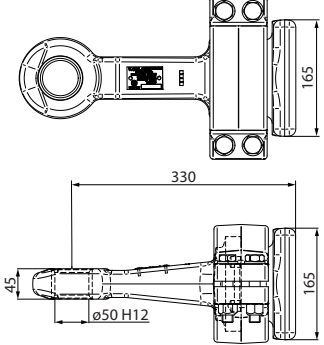
Flanged drawbar eyes

Technical data

Part number	Value				Weight kg	Homologation	Homologation CRN
	D kN	Dc kN	S kg	V kN			
OC51F8E	200	140	1000	75	11,2	e11 00-1153	37742
			2500	50			

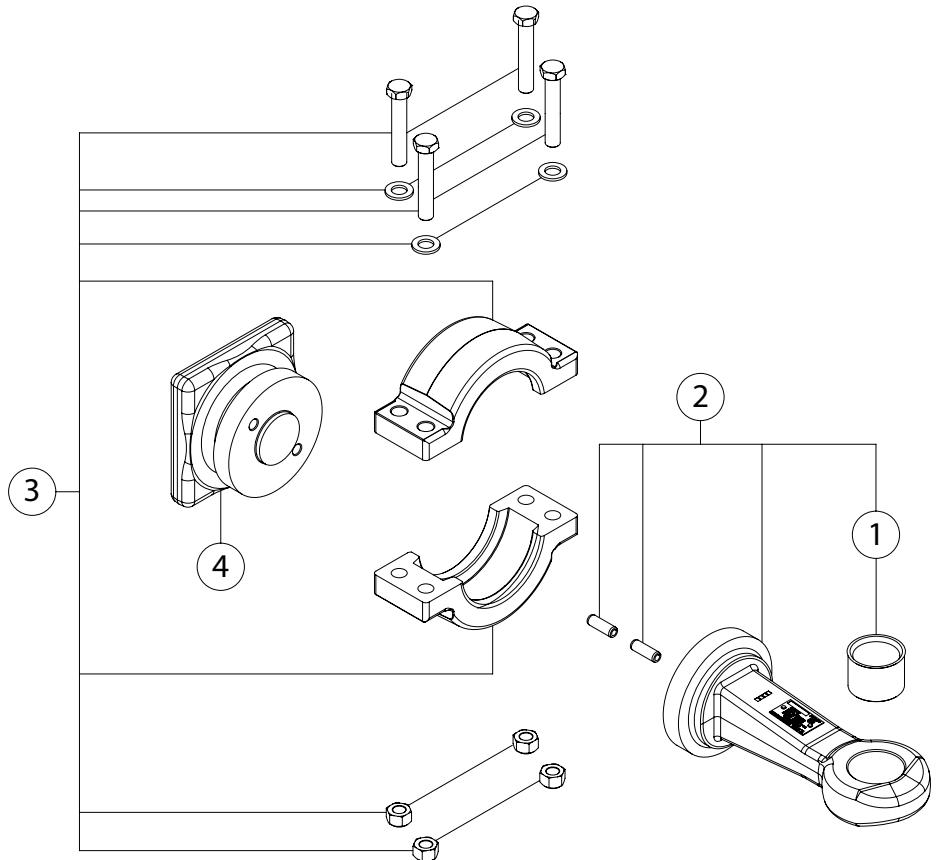
Clamped drawbar eyes

Technical data


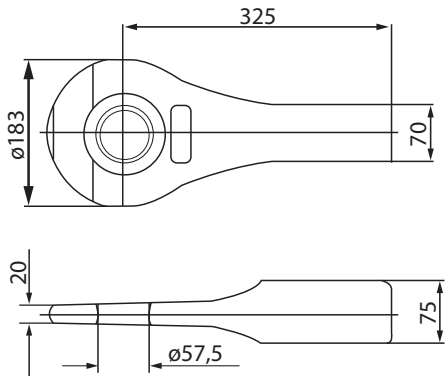
Part number	D kN	Dc kN	S kg	V kN	A mm	B mm	Weight kg	Homologation	
								ECE	CRN
OC50FS2	330	135	1000	75	165	165	33	E11 55R-01 11111	50460
			2500	50					


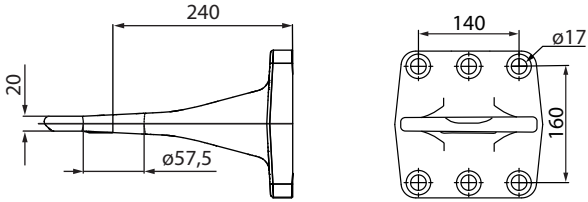
POS.	Article number
1	RO00016
2	RO00063
3	RO00064
4	RO00065



57,7 mm


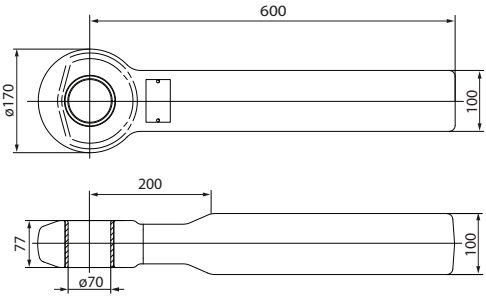
Drawbar eyes


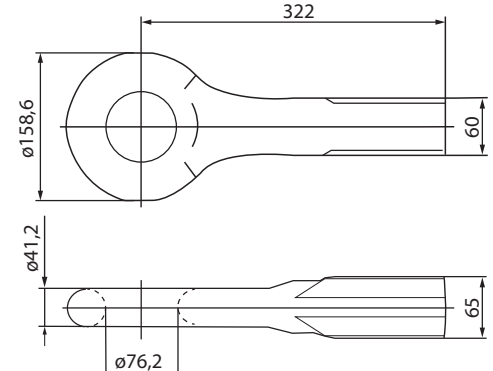
Weld on drawbar eyes								
Technical data								
Part number	Value				Weight kg	Homologation		
	D kN	Dc kN	S kg	V kN		ECE	CRN	
OC57W01	190	90	1000	30	13	55R-01 2582	50513	


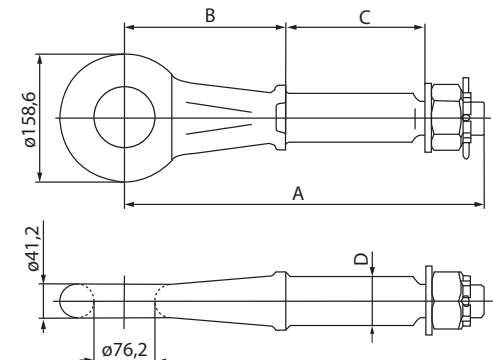
Flanged drawbar eyes								
Technical data								
Part number	Value				Weight kg	Homologation		
	D kN	Dc kN	S kg	V kN		ECE	CRN	
OC57F62	350	145	1000	95	16	55R-01 10084	50512	
			3000	60				

70 mm

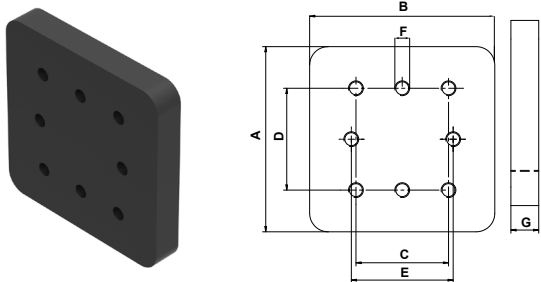
Drawbar eyes

Weld on drawbar eyes "Heavy duty"								
Technical data								
Part number	Total trailer weight t	D-Value kN	Weight kg	Homologation CRN				
OC70W00	500	800	46,5	46899				

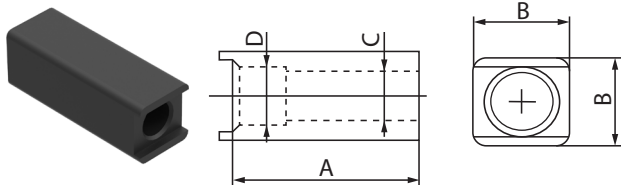
Weld on drawbar eyes					
Technical data					
Part number	D-Value kN	Weight kg	Homologation ECE R55-01		
OC76W01	120	10,2	Not Homologated		

Bolt on drawbar eyes									
Technical data									
Part number	A mm	B mm	C mm	D mm	Weight kg	Value		Homologation ECE R55-01	
						D kN	S kg		
OC76R10	445	200	173	60	13	120	1000	Not Homologated	

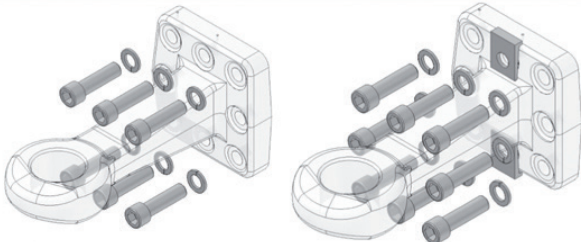
WELD IN PLATES

	Part number	To suit	A mm	B mm	C mm	D mm	E mm	F mm	G mm
	PS00100	OC51F8E	162	162	100	110	110	M16	30
	PS00200	OC51F8E	200	200					
	PS00300	OC51F8E	160	240					
	PS00800	OC57F61	210	210	140	110	110	M16	40
	PS01100	OC57F62	210	210	154	158	154	M20	40




Weld on BRACKETS

	Part number	A mm	B mm		C mm	D mm	For drawbar eye type
	RO00038	245	<input type="checkbox"/>	90x90	49,2	50,2	50R09
	RO00041	173	<input type="checkbox"/>	90x90	60	-	50R10-76R10

SCREWS

	For drawbar eye type	Kit code
	40F60	RO00025
	57F61	RO00055
	57F62	RO00058
	51F8	RO00035

BUSH

SPLIT BUSH 40-50 MM		
	For drawbar eye type	Bush code
	40W-R	RO00017
	50R10	RO00004
	50W 01-05	
SOLID BUSH 40-70 MM		
	40F	RO00024
	50F - 51F	RO00016
	50RT1	RO000T4
	50WT01-05	
	70W	RO00057
BUSH 57MM		
	57	RO00054



1

415

42.5 42.5

339

85 45

271

406

10-35

287 +10

95

42.5 42.5

303

281

85

207 ±5

129

250

140 ±10

V. ORLANDI

360

5° 5°

90

210

360°

688 (LOCKED)

840 (UNLOCKED)

880

695

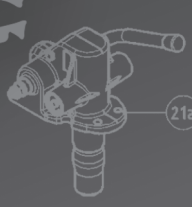
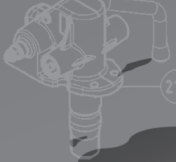
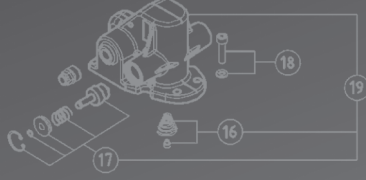
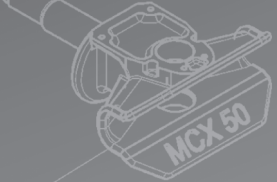
510

30

20

19

V. ORLANDI



Out of production

Series	Description	Out of production from
<p>MCX50</p> 	Automatic drawbar couplings	2011
<p>E520 PACIFIC</p> 	Automatic drawbar couplings	2016
<p>EH524</p> 	Automatic tipping couplings	2018
<p>HERCULES</p> 	Trailer coupling for heavy weight transport	2017
<p>NEW TITANO</p> 	Trailer coupling for heavy weight transport	2013
<p>UN766</p> 	Hook coupling	2015

D-value: Theoretical load for the determination of the theoretical horizontal dynamic force between towing vehicle and steering axle trailer;

Dc-value: Theoretical load for the determination of the theoretical horizontal dynamic force between towing vehicle and central axle trailer;

V-value: Theoretical load for the determination of the theoretical vertical dynamic force between towing vehicle and central axle trailer of more than 3,5 tons weight;

S-value: Static vertical load transmitted to the coupling by central axle trailer in static conditions;

U-value: Vertical load transmitted to the fifth wheel by the semi-trailer.

1 - Trailer couplings and drawbar eyes

1.1 - Steering axle trailers

Fig. 1



In this case the technical parameter is following:

$$D = g \times \frac{T \times R}{T + R}$$

where:

g = Gravitational acceleration; 9.81 m/s² ;

T = Technically admissible maximum weight of towing vehicle in tons;

R = Technically admissible maximum weight of trailer in tons.

Examples of calculation

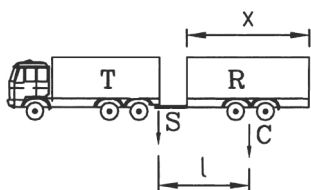
a) T = 18 ton; R = 26 ton $D = \frac{9.81 \times (18 \times 26)}{18 + 26} = 104.2 \text{ kN}$

b) T = 14 ton; R = 42 ton $D = \frac{9.81 \times (14 \times 42)}{14 + 42} = 103.1 \text{ kN}$

c) T = 30 ton; R = 50 ton $D = \frac{9.81 \times (30 \times 50)}{30 + 50} = 183.9 \text{ kN}$

1.1 - Central axle trailers

Fig. 2



In this case the technical parameter is following:

$$D_c = g \times \frac{T \times C}{T + C}$$

where:

T = Technically admissible maximum load of the towing vehicle in tons, including the static vertical load transmitted to the coupling by the drawbar eye;

C = Sum of the maximum axial loads transmitted to the ground by the trailer in tons.

Technical parameters of towing systems

$$V = a \times \frac{x^2}{l^2} \times C$$

where:

x = Length of the loading area in meters;

l = distance between the center of the hole of the drawbar eye and the center of the axles of the trailer in meters;

V = Dynamic vertical load in kN;

C = Sum of the maximum axial loads transmitted to the ground by the trailer in tons;

$$a = 1,8 \frac{m}{s^2} \text{ for vehicles with air suspensions or with a comparable suspension type;}$$

$$a = 2,4 \frac{m}{s^2} \text{ for vehicle with other types of suspensions.}$$

$$S = R - C$$

R = Technically admissible maximum weight of the trailer in tons.

Examples of calculation

Towing vehicle with 20 tons weight and with air suspensions. Central axle trailer with:

$$R = 20 \text{ ton} \quad C = 19 \text{ ton} \quad S = 1 \text{ ton} \quad X = 7.2 \text{ m} \quad L = 6 \text{ m}$$

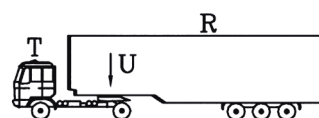
For the determination of the De-value the weight of the towing vehicle is calculated as follows:

$$T = 20 + S = 20 + 1 = 21 \text{ ton}$$

and therefore

$$D_c = \frac{9.81 \times (21 \times 19)}{21 + 19} = 98 \text{ kN} \quad V = 1.8 \times \left(\frac{7.2}{6}\right)^2 \times 19 = 49.2 \text{ kN}$$

2 - Fifth wheels and kingpins



$$D = g \times \frac{0,6 \times T \times R}{T + R - U}$$

where:

T = Weight of the towing vehicle including the vertical load on the fifth wheel;

R = Weight of the semitrailer;

U = That part of the semitrailer weight which is directly transmitted to the fifth wheel.

Example of calculation

Towing vehicle alone, weight 7 tons

Trailer with R = 36 tons and U = 14 tons

For the determination of the D-value the weight of the towing vehicle is calculated as follows:

$$T = 7 + U = 7 + 14 = 21 \text{ ton} \quad \text{and therefore}$$

$$D = g \times \frac{0,6 \times 21 \times 36}{21 + 36 - 14} = 101 \text{ kN}$$

The towing systems homologated according to the directive 94/20/EC have to bear in the homologation plate the characteristic values (D, De, S, V and U) according to which they have been approved.



XL-PH40034PM-en-AU 0420

V. ORLANDI AUSTRALIA PTY LTD

www.orlandi.com.au

PO Box 63 • 115 High St • Melton Vic 3337

Tel: (03) 9971 7900 Fax: (03) 9743 6763

