



SAF-HOLLAND Group

HOLLAND FW20 SERIES

PRESSED STEEL FIFTH WHEEL



THE ECONOMICAL PRESSED STEEL FIFTH WHEEL
WITH HOLLAND PROVEN RELIABILITY

FW20 SERIES FIFTH WHEEL

The Economical Solution for New Truck Specifications

BENEFITS

- Pressed steel construction top plate with built-in, hardened front lock area
- Forged alloy steel locks with simple lock adjustment for extended wear life
- Easy to pull operating handle fitted with secondary locking device
- ISO standard mounting bolt pattern for easy field replacement
- Simple locking mechanism with only 4 moving parts for easy maintenance, repair and replacement
- Ideal choice when a fifth wheel assembly requires replacement
- Warranty – 1 year materials and workmanship



SPECIFICATIONS

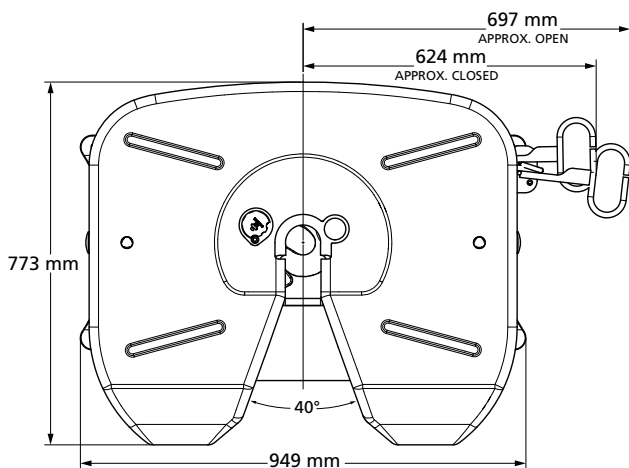
2" (50mm) Kingpin Lock

65,000 kg Gross Combination Weight

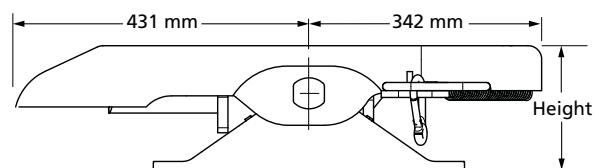
20,000 kg Vertical Load

D-Value 150 kN U-Value 20 Tonne

XL-FW20031SL-en-CN Rev A · 2013-011-07 · Amendments and errors reserved ©SAF-HOLLAND, Inc.
 SAF-HOLLAND, HOLLAND logos are trademarks of
 SAF-HOLLAND S.A., SAF-HOLLAND GmbH, and SAF-HOLLAND, Inc.



Part Number	Height	Weight
FW20-150	150mm	130 kg
FW20-185	185mm	138 kg



SAF-HOLLAND Thailand Co., Ltd.
662.740.0972-3 Fax 662.740.0974

SAF-HOLLAND (Xiamen) Co., Ltd.
86.592.6369202 Fax 86.592.6288892

www.safholland.com

