



SAF-HOLLAND Group

HOLLAND FW28 SERIES

FABRICATED STEEL FIFTH WHEEL



THE ECONOMICAL EXTRA CAPACITY FABRICATED STEEL
FIFTH WHEEL WITH HOLLAND PROVEN RELIABILITY

FW28 SERIES FIFTH WHEEL

The Economical Extra Capacity Solution for New Truck Specifications

BENEFITS

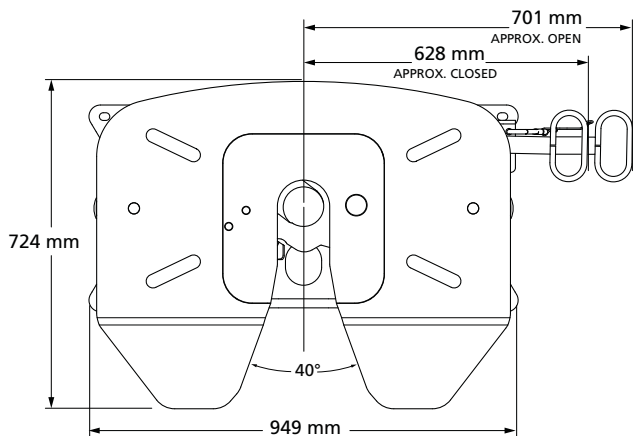
- Durable top plate, fabricated from high strength steel
- Permanent fixed front lock does not require replacement
- Forged alloy steel swing lock and lock retainer with infinite lock adjustment for extended wear life and better operating comfort
- Easy to pull operating handle fitted with secondary locking device
- Brackets with ISO standard mounting bolt pattern and elongated mounting holes for easy field replacement
- Ideal choice when a fifth wheel assembly requires an extra capacity replacement
- Warranty – 1 year materials and workmanship



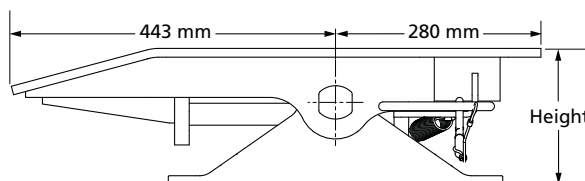
SPECIFICATIONS

- 3.5" (90mm) Kingpin Lock
- 80,000 kg Gross Combination Weight
- 28,000 kg Vertical Load
- D-Value 190 kN U-Value 28 Tonne

XL-FW20042SL-en-CN Rev.A · 2014-01-10 · Amendments and errors reserved ©SAF-HOLLAND, Inc. SAF-HOLLAND, HOLLAND logos are trademarks of SAF-HOLLAND S.A., SAF-HOLLAND GmbH, and SAF-HOLLAND, Inc.



Part Number	Height	Weight
FW28-150	150mm	158 kg
FW28-185	185mm	166 kg



SAF-HOLLAND Thailand Co., Ltd.
662.740.0972-3 Fax 662.740.0974

SAF-HOLLAND (Xiamen) Co., Ltd.
86.592.6369202 Fax 86.592.6288892

www.safholland.com

