**SAF** ●

# LANDING GEAR

SAF HERCULES  
SAF HERCULES COMPACT  
SAF DROP LEG LANDING GEAR  
SAF SWIVEL LANDING GEAR

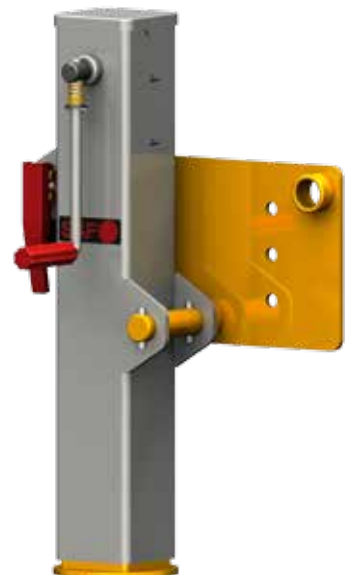
# SAF LANDING GEAR



## **Tried, tested and appreciated worldwide**

High quality, cost-effectiveness and reliability combined with a very long service life – the reasons why landing gear from SAF-HOLLAND has an excellent international reputation.

Our landing gear is ideal for very different scenarios, from the icy cold of Scandinavia to the shimmering desert heat of the Middle East. Ease of use and fantastic functional reliability mean that little force is required, taking some of the strain of daily coupling and uncoupling.



# SAF HERCULES

ESPECIALLY FOR STANDARD TRAILER LIKE CURTAINSIDER OR COOLER

## **SAF 3D backplate**

- Continuous 10-hole 3D backplate guarantees a variety of mounting options and facilitates the replacement of landing gear on the market

## **SAF gearbox**

- External, compact gearbox with low installation depth enables easy inspection when needed
- The impact-resistant gearbox with a special seal is suitable for use in harsh operating conditions
- Switch easily between high and low gear

## **Additional advantages**

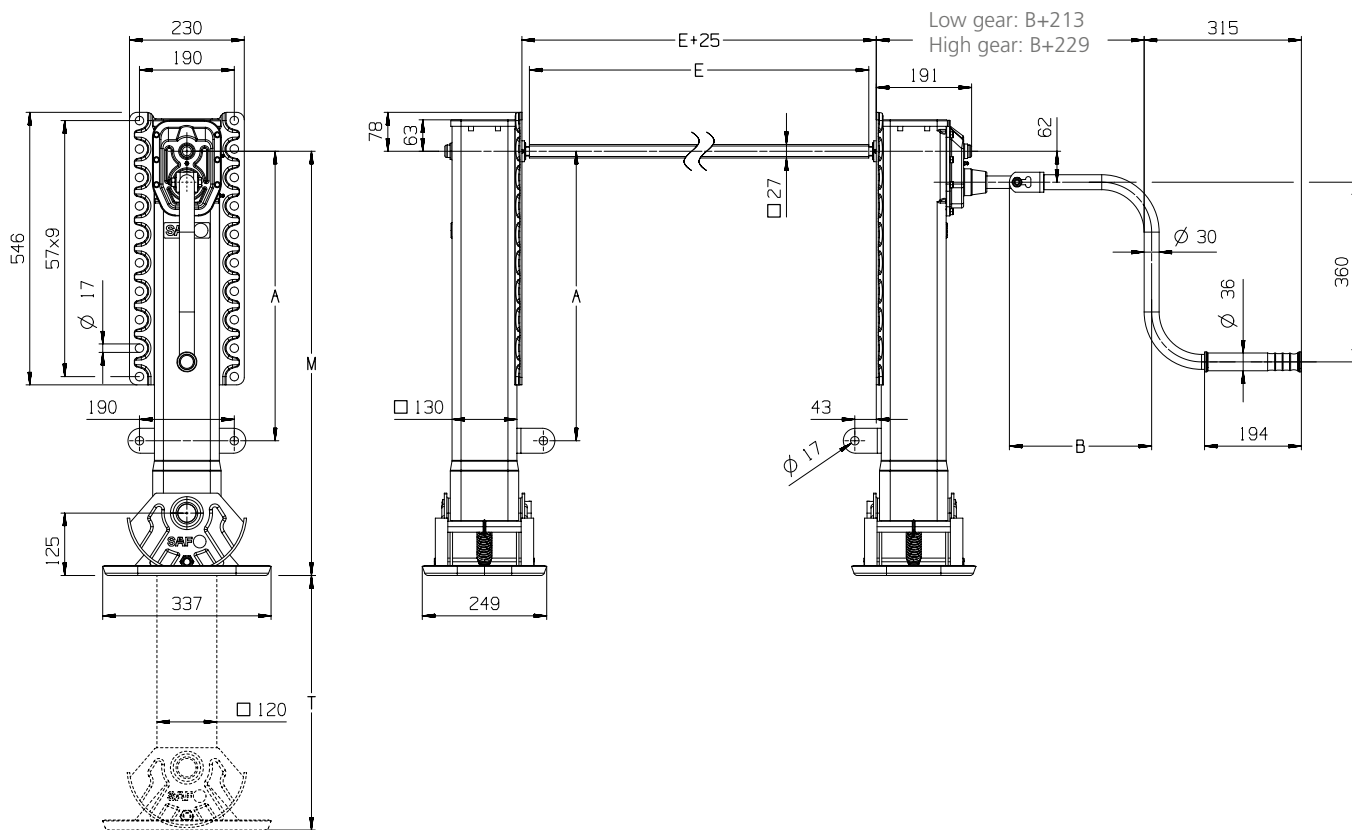
- Special coating provides long-term protection against environmental factors and stone chipping
- Web-based spare part identification via QR code on the support legs



**3-YEAR  
GUARANTEE**

## SAF HERCULES TECHNICAL DATA

- Lift capacity:** 24,000 kg
- Static load capacity:** 50,000 kg
- Lift in low gear:** 1 mm per turn
- Lift in high gear:** 12 mm per turn



- other foot variants on request
- Installation guide see design handbook:  
[www.safholland.de](http://www.safholland.de) – Download Center – Literature – Design manual

## FOOT OPTIONS



RANGE	DESCRIPTION	TYPE	ORDER NUMBER	WEIGHT [kg]	HEIGHT M [mm]	TRAVEL T [mm]	A [mm]
85	without Gearbox	LGH O 85-51 F S	03 389 0001 00	45.0	850	510	580
	with Gearbox	LGH G 85-51 F S	03 389 0002 00	48.5			
	Set**	LGH S 85-51 F S	03 389 0061 00				
80	without Gearbox	LGH O 80-46 F S	03 389 0003 00	43.3	800	460	530
	with Gearbox	LGH G 80-46 F S	03 389 0004 00	46.9			
	Set**	LGH S 80-46 F S	03 389 0062 00				
75	without Gearbox	LGH O 75-41 F S	03 389 0005 00	41.7	750	410	-*
	with Gearbox	LGH G 75-41 F S	03 389 0006 00	45.3			
	Set**	LGH S 75-41 F S	03 389 0063 00				
70	without Gearbox	LGH O 70-40 F S	03 389 0007 00	40.4	705	400	-*
	with Gearbox	LGH G 70-40 F S	03 389 0008 00	44.0			
	Set**	LGH S 70-40 F S	03 389 0064 00				
65	without Gearbox	LGH O 65-35 F S	03 389 0009 00	38.7	655	350	-*
	with Gearbox	LGH G 65-35 F S	03 389 0010 00	42.3			
	Set**	LGH S 65-35 F S	03 389 0065 00				



85	without Gearbox	LGH O 85-51 F T	03 389 0011 00	43.5	840	510	580
	with Gearbox	LGH G 85-51 F T	03 389 0012 00	47.0			
	Set**	LGH S 85-51 F T	03 389 0066 00				
80	without Gearbox	LGH O 80-46 F T	03 389 0013 00	41.8	790	460	530
	with Gearbox	LGH G 80-46 F T	03 389 0014 00	45.3			
	Set**	LGH S 80-46 F T	03 389 0067 00				
75	without Gearbox	LGH O 75-41 F T	03 389 0015 00	40.2	740	410	-*
	with Gearbox	LGH G 75-41 F T	03 389 0016 00	43.7			
	Set**	LGH S 75-41 F T	03 389 0068 00				
70	without Gearbox	LGH O 70-40 F T	03 389 0017 00	38.5	690	360	-*
	with Gearbox	LGH G 70-40 F T	03 389 0018 00	42.0			
	Set**	LGH S 70-40 F T	03 389 0069 00				
65	without Gearbox	LGH O 65-35 F T	03 389 0019 00	36.8	640	310	-*
	with Gearbox	LGH G 65-35 F T	03 389 0020 00	40.3			
	Set**	LGH S 65-35 F T	03 389 0070 00				



85	without Gearbox	LGH O 85-51 F TC	03 389 0021 00	42.0	780	510	580
	with Gearbox	LGH G 85-51 F TC	03 389 0022 00	45.5			
	Set**	LGH S 85-51 F TC	03 389 0071 00				
80	without Gearbox	LGH O 80-46 F TC	03 389 0023 00	40.3	730	460	530
	with Gearbox	LGH G 80-46 F TC	03 389 0024 00	43.8			
	Set**	LGH S 80-46 F TC	03 389 0072 00				
75	without Gearbox	LGH O 75-41 F TC	03 389 0025 00	38.7	680	410	-*
	with Gearbox	LGH G 75-41 F TC	03 389 0026 00	42.2			
	Set**	LGH S 75-41 F TC	03 389 0073 00				
70	without Gearbox	LGH O 70-40 F TC	03 389 0027 00	37.0	630	360	-*
	with Gearbox	LGH G 70-40 F TC	03 389 0028 00	40.5			
	Set**	LGH S 70-40 F TC	03 389 0074 00				
65	without Gearbox	LGH O 65-35 F TC	03 389 0029 00	35.3	580	310	-*
	with Gearbox	LGH G 65-35 F TC	03 389 0030 00	38.8			
	Set**	LGH S 65-35 F TC	03 389 0075 00				

\* Bracing attachment can be ordered loose \*\* Parts of the Set see Accessories

# SAF HERCULES COMPACT

ESPECIALLY FOR LOW LOADER,  
HEAVY TRANSPORTERS AND  
HIGH-VOLUME TRAILER

## **SAF 3D backplate**

- Continuous backplate guarantees a variety of mounting options and facilitates the replacement of landing gear on the market

## **SAF gearbox**

- External, compact gearbox with low installation depth enables easy inspection when needed
- The impact-resistant gearbox with a special seal is suitable for use in harsh operating conditions
- Switch easily between high and low gear

## **Additional advantages**

- Special coating provides long-term protection against environmental factors and stone chipping
- Web-based spare part identification via QR code on the support legs

**3-YEAR  
GUARANTEE**

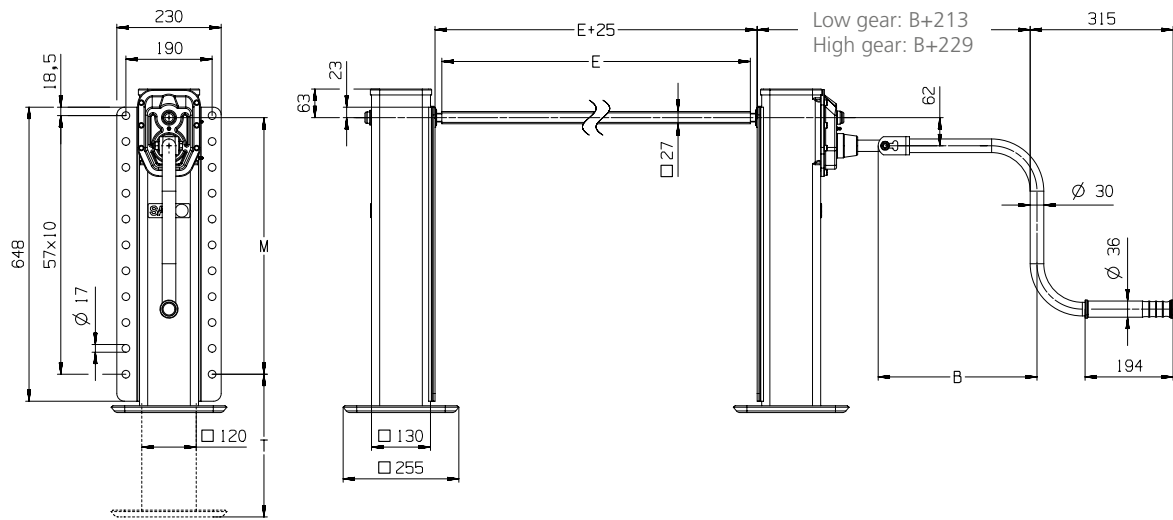


- Compact in size
- Large Travel

# SAF HERCULES COMPACT TECHNICAL DATA

**3 YEARS**  
MAINTENANCE-FREE

- Lift capacity:** 24,000 kg
- Static load capacity:** 50,000 kg
- Lift in low gear:** 1 mm per turn
- Lift in high gear:** 12 mm per turn



RANGE	DESCRIPTION	TYPE	ORDER NUMBER	WEIGHT [kg]	HEIGHT M [mm]	TRAVEL T [mm]	NUMBER OF HOLES BACKPLATE
65	without Gearbox	LGHC O 65-43 F D	03 389 0171 00	32.2	650	430	10
	with Gearbox	LGHC G 65-43 F D	03 389 0172 00	35.7			
	Set**	LGHC S 65-43 F D	03 389 0261 00				
60	without Gearbox	LGHC O 60-38 F D	03 389 0173 00	30.4	600	380	9
	with Gearbox	LGHC G 60-38 F D	03 389 0174 00	33.7			
	Set**	LGHC S 60-38 F D	03 389 0262 00				
55	without Gearbox	LGHC O 55-33 F D	03 389 0175 00	27.8	550	330	9
	with Gearbox	LGHC G 55-33 F D	03 389 0176 00	31.3			
	Set**	LGHC S 55-33 F D	03 389 0263 00				
50	without Gearbox	LGHC O 50-28 F D	03 389 0177 00	25.8	500	280	8
	with Gearbox	LGHC G 50-28 F D	03 389 0178 00	29.3			
	Set**	LGHC S 50-28 F D	03 389 0264 00				
45	without Gearbox	LGHC O 45-23 F D	03 389 0179 00	23.8	450	230	8
	with Gearbox	LGHC G 45-23 F D	03 389 0180 00	27.3			
	Set**	LGHC S 45-23 F D	03 389 0265 00				

\*\* Parts of the Set see Accessories

# SAF DROP LEG

ESPECIALLY FOR  
TIPPER, TANK AND  
SILO TRAILER

## Features and benefits

- Good accessibility of the staking position
- Drop can be adjusted in multiple, extremely precise steps
- Height of foot is easily adjustable
- Suitable for all semi-trailers
- 3D mounting plate is light and extremely rigid and is mounted at the top as a single plate
- Long-life components, including high-strength steel and robust pull handles
- Large, robust steel foot welded to the footplate on four sides
- Seal at top of the foot prevents ingress of dirt and water
- Fast and easy to use in any weather

## Important notes

- 2 drop legs must be installed per vehicle
- Not suitable for use on ferries

## Paint

- Powder coating
- No rust penetration
- Long-lasting and reliable retention of value

## Please note

A vehicle with air suspension on the rear axle is needed to use this drop leg.

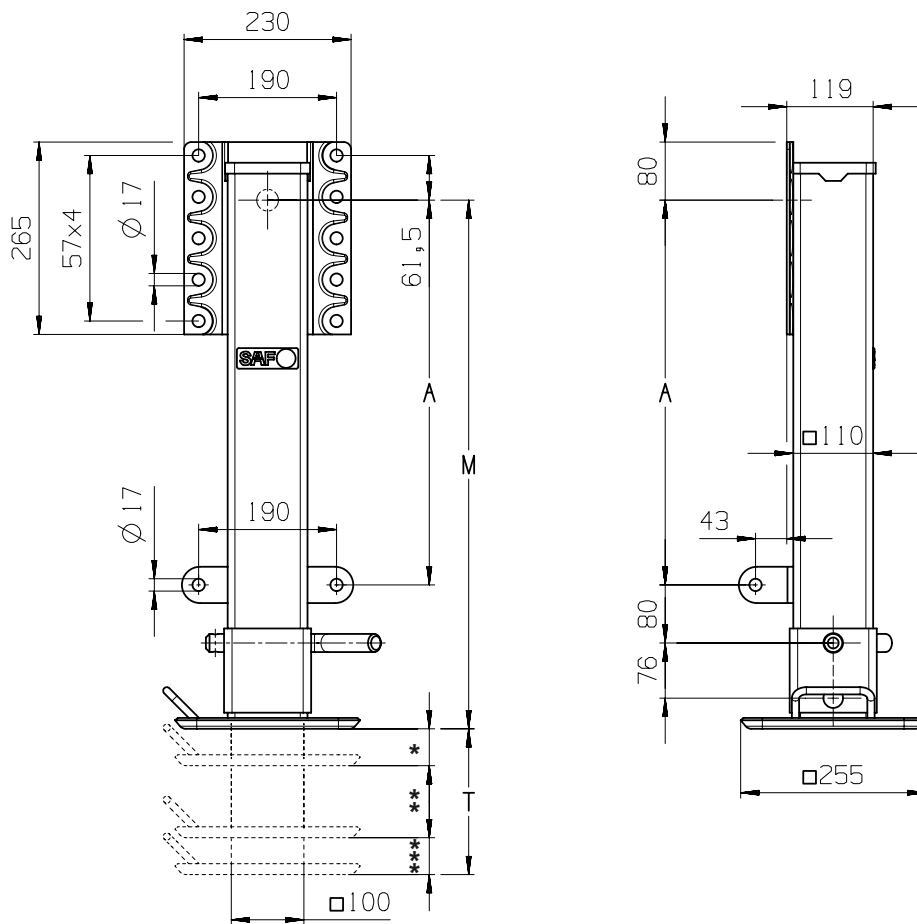


Robust with low weight



# SAF DROP LEG TECHNICAL DATA

**Static load capacity:** 15,000 kg



FOOT	RANGE	DESCRIPTION	TYPE	ORDER NUMBER	WEIGHT [kg]	HEIGHT M [mm]	TRAVEL T [mm]
Rigid sand plate	75		LGDL 75-63 T D	03 389 0165 00	25.0	750	635
							* 1x50.8
							** 21x25.4
							*** 1x50.8

# SAF SWIVEL LANDING GEAR

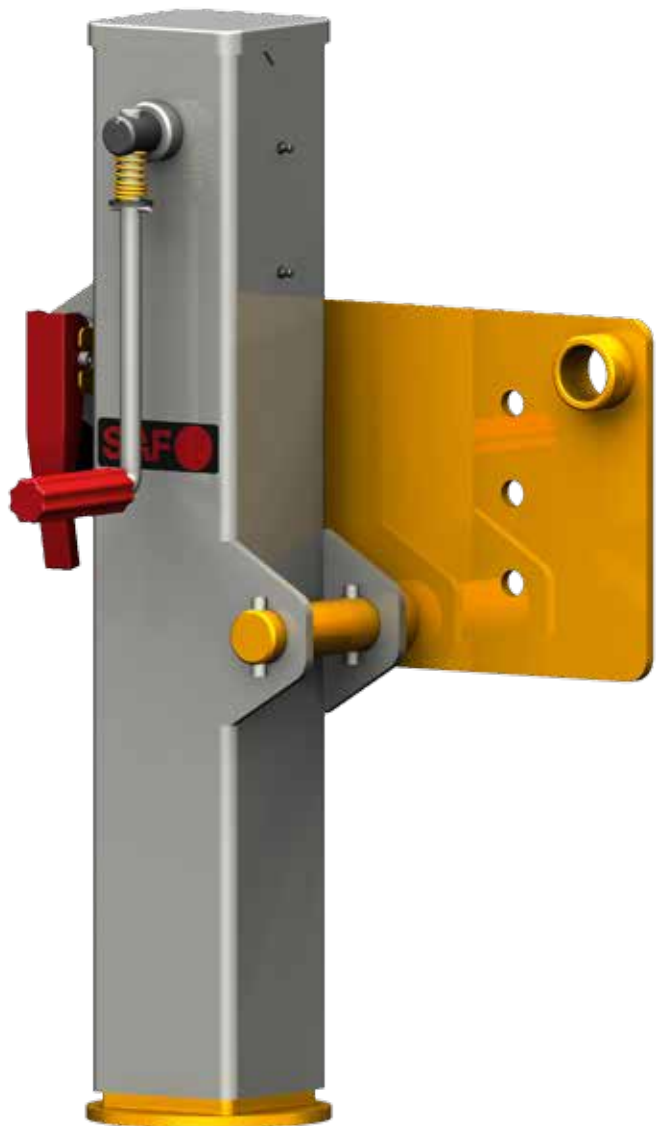
ESPECIALLY FOR RIGID  
DRAWBAR TRAILER

## **Features and benefits**

- Swiveling
- Mounting plate weldable or screwable

## **Additional advantage**

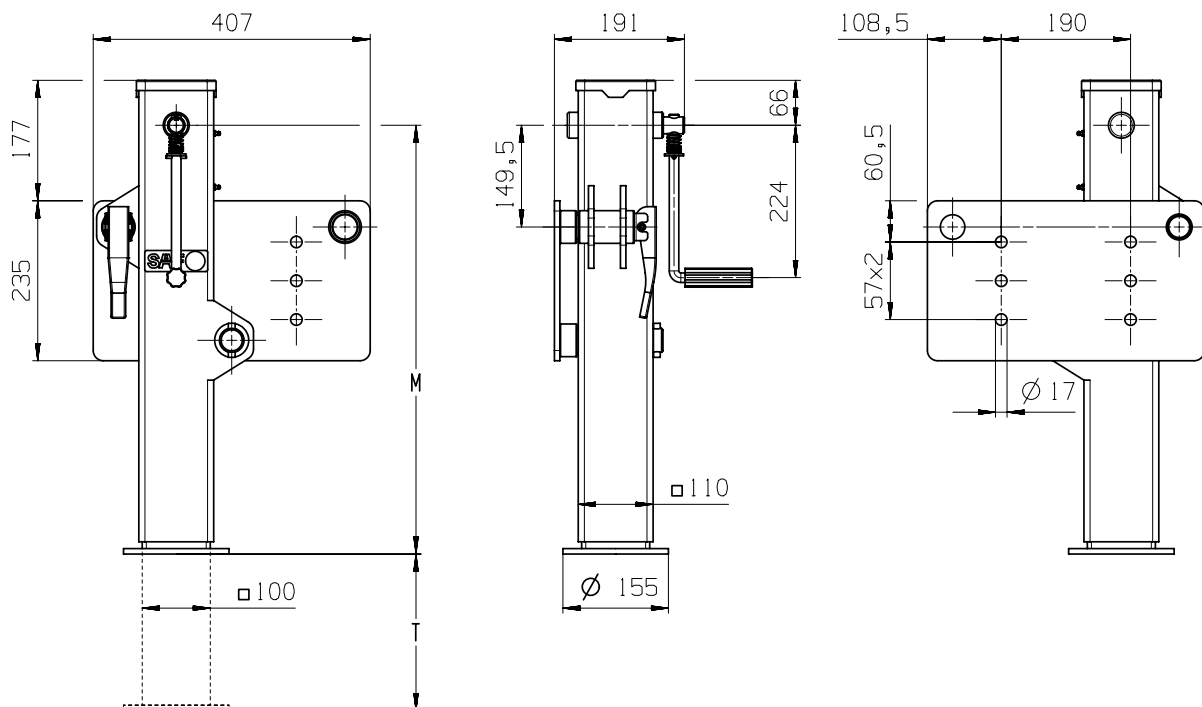
- Special coating provides long-term protection against environmental factors and stone chipping



- Compact design and large stroke with small height
- Large ground clearance by pivoting the leg

## SAF SWIVEL LANDING GEAR TECHNICAL DATA

**Lift capacity:** 4 000 kg  
**Static load capacity:** 8 000 kg  
**Lift:** 7 mm per turn



RANGE	VERSIONS	TYPE	ORDER NUMBER	WEIGHT [kg]	HEIGHT M [mm]	LIFT T [mm]
63	with Gearbox	LGHD G 63-40 S D	03 389 0181 00	35.0	630	400
58	with Gearbox	LGHD G 58-35 S D	03 389 0182 00	33.5	580	350
53	with Gearbox	LGHD G 53-30 S D	03 389 0183 00	32.0	530	300
48	with Gearbox	LGHD G 48-25 S D	03 389 0184 00	30.5	480	250
43	with Gearbox	LGHD G 43-20 S D	03 389 0185 00	29.0	430	200

## ACCESSORIES

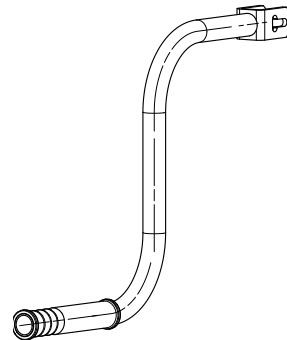
### CONNECTING SHAFT

LENGTH E [mm]	ORDER NUMBER
1110	01 435 0038 00
1164	01 435 0022 00
1340	01 435 0023 00
1395	01 435 0040 00
1425	01 435 0037 00
1440	01 435 0024 00
1450	01 435 0025 00
1470	01 435 0026 00
1500	01 435 0027 00
1505	01 435 0028 00
1535	01 435 0039 00
1570	01 435 0041 00
1575	01 435 0029 00
1600	01 435 0030 00
1605	01 435 0031 00
1635	01 435 0032 00
1700	01 435 0033 00
1790	01 435 0034 00
1800	01 435 0035 00**
1950	01 435 0036 00



### CRANK HANDLE

LENGTH B [mm]	ORDER NUMBER
285	01 209 0001 00
350	01 209 0002 00
450	01 209 0003 00
535	01 209 0004 00**
605	01 209 0005 00



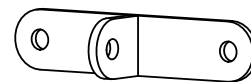
### CRANK HOLDER

LENGTH [mm]	ORDER NUMBER
260	01 189 0135 00**
360	01 189 0136 00



### BRACING ATTACHMENT

loose for mounting height 650-700-750	ORDER NUMBER
	02 045 0057 00**

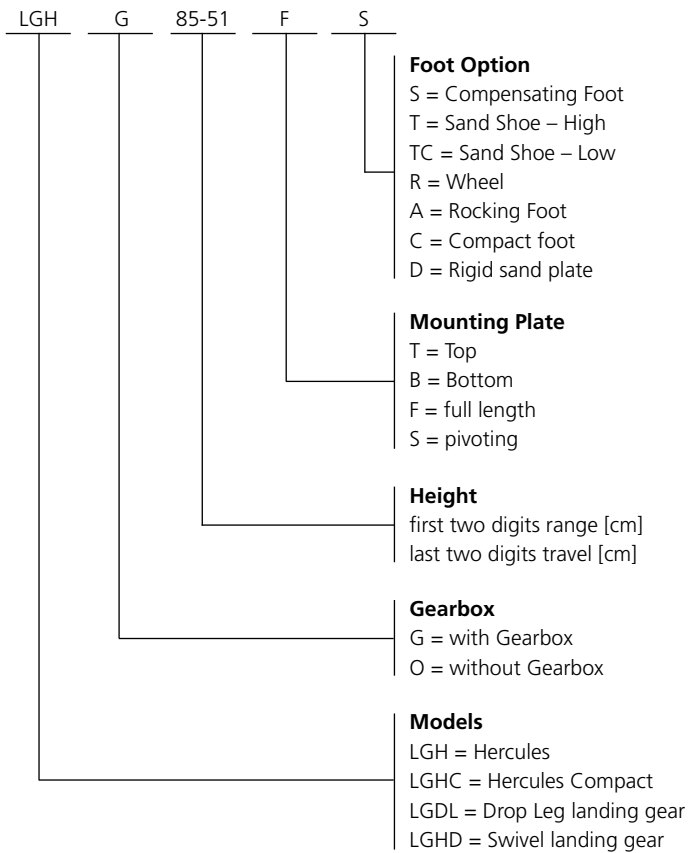


\*\* Components included in each Set

### SPARE PARTS

DESCRIPTION	TYPE	ORDER NUMBER
Spare Part Kit Compensating Foot	S	03 370 1000 00
Spare Part Kit Compensating Foot (for overall height 655 + 705)	S	03 370 1006 00
Spare Part Kit Sandshoe High	T	03 370 1001 00
Spare Part Kit Sandshoe Low	TC	03 370 1004 00
Spring		01 447 0075 00

## TYPE CODE



## QR-CODE@SAF-HOLLAND

Ordering spare parts has never been so easy! All you need is your smartphone or tablet. Scan the QR code on the respective nameplate and gain direct access to the automated spare parts list for the scanned product.

The unique serial number assigned to each SAF-HOLLAND axle, fifth wheel or landing gear guarantees quick, reliable spare parts ordering. Check out our optimised spare parts catalogue and see for yourself how easy it is.





TRAILER AXLES AND  
SUSPENSION SYSTEMS



COUPLING AND LIFTING  
TECHNOLOGIES



SUSPENSIONS FOR  
TRUCKS AND BUSES



SUSPENSIONS AND COMPONENTS  
FOR COMMERCIAL VEHICLES



V. ORLANDI

COUPLING AND LIFTING  
TECHNOLOGIES



TRAILER AXLES AND  
SUSPENSIONS SYSTEMS