

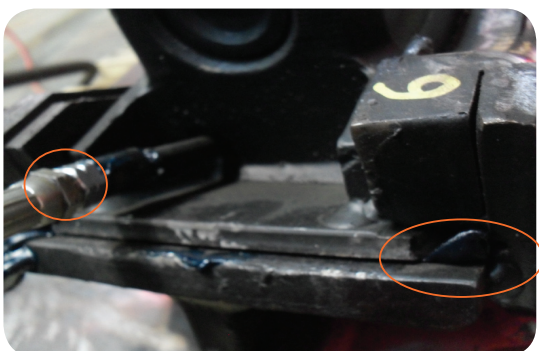
Holland Kompensator Shoe Lubrication

Instructions for Kompensator Shoe Replacement

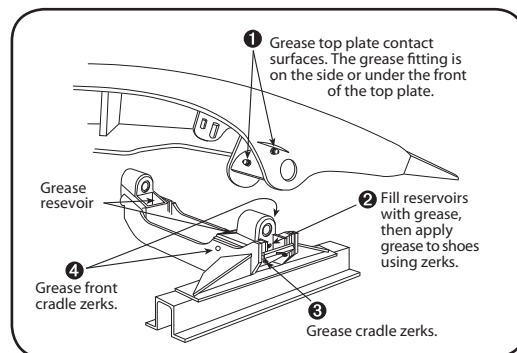
1. Supply grease to lubricate the bracket shoe cap and top plate pocket.
2. Grease the side of the shoes (Image 1) fill each reservoir with approximately 2 pounds of grease (0.9 kilograms). (image 2)
3. Grease the base (ends) of the cradle (image 3)
4. Grease the front and back of the cradle. (Image 4)



1. Fill each reservoir with approximately two (2) pounds of grease (0.9 kilograms), until the grease becomes visible.



3. Apply grease until protrudes past the end of the slide LHS & RHS.



2. Slide shoe into cradle and insert grease



4. Apply grease to the cradle zerks until the grease becomes visible.