

## Technical Bulletin

### Introduction of Electronic Lock Indicator – Technology Enhanced (ELI-te) fifth wheel sensor system

SAF-HOLLAND is offering a new version of the Electronic Lock Indicator (ELI) fifth wheel sensor system for 2018. The new system is called 'Electronic Lock Indicator – Technology Enhanced', abbreviated to 'ELI-te'. It is available for FW351 and FW331 fifth wheels.



ELI-te functions in a similar way to ELI. It comprises sensors that monitor the position of the kingpin and the cam plate to determine a successful coupling, but ELI-te includes two important improvements:

- revised kingpin sensor position to reduce the negative impacts of grease/debris build-up.
- inclusion of a series of warning and kingpin inspection lights to aid drivers in confirming a successful coupling.

ELI-te is available pre-installed on a range of FW351 and FW331 assemblies, and in a kit for retro-fit to existing FW351 and FW331 fifth wheels. The following information describes the range of parts and literature available under each of those two options.

#### ELI-te pre-installed on a range of FW351 and FW331 assemblies

ELI-te is available pre-installed on the following range of fifth wheel assemblies.

##### Truck applications:

- FW351 and FW331 on cast feet (HL, HT, HF, HA, HG, HX) and baseplate (1050x660x16)
- FW351 and FW331 on cast feet (HL, HT, HF, HA, HG, HX) and baseplate (960x660x16)
- FW351 on cast feet with single row ballrace and two baseplate options:
  - 1050x1016x16
  - 1000x1016x16

##### Trailer applications:

- FW351 and FW331 on cast feet (HL, HT, HF, HA, HG, HX) with standard handle
- FW351 and FW331 on cast feet (HL, HT, HF, HA, HG, HX) with B-double handle

The full list of available part numbers for the above assemblies is shown in the attached. Please contact SAF-HOLLAND customer service to request any assembly not listed.

Users of ELI-te assemblies should obtain a copy of the ELI-te Owner's Manual (SH-59). Electronic versions of these manuals are available at [www.safholland.com.au](http://www.safholland.com.au). In the future, a printed copy of the ELI-te Owner's Manual will be supplied with every ELI-te fitted fifth wheel.

The following important points must be noted:

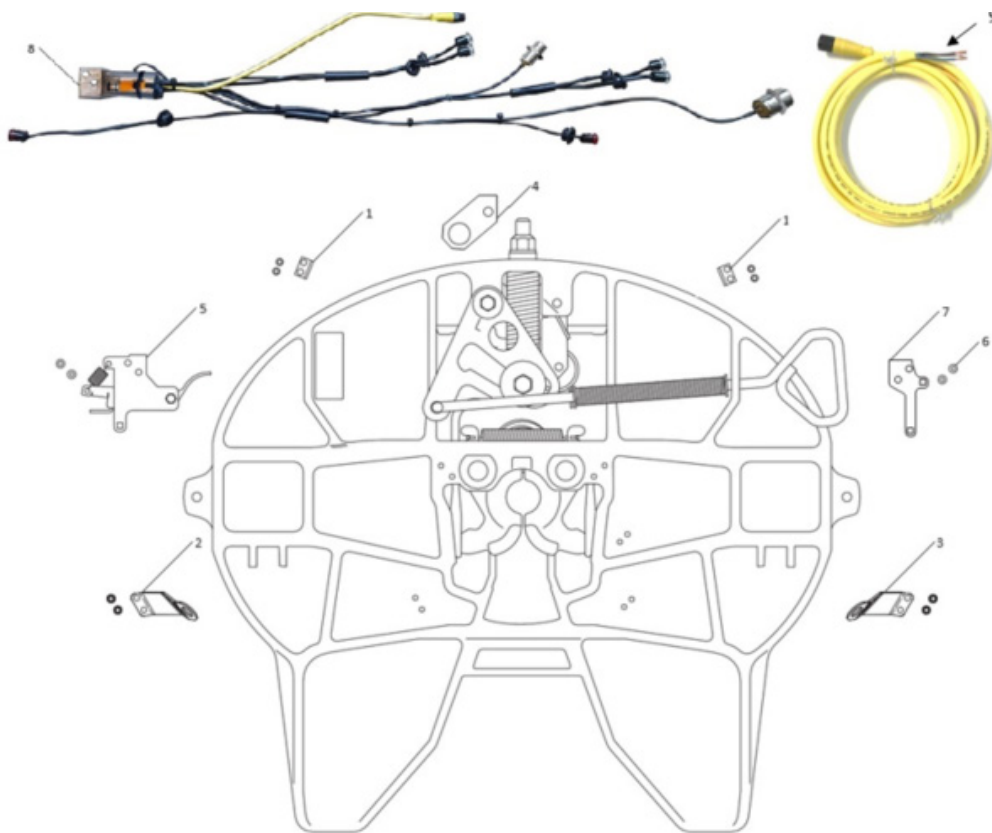
- the ELI-te power cable is supplied without a connector, to allow installers to wire the power cable directly into a suitable power supply on the truck/trailer.
- the wiring of the power cable is explained in the ELI-te Owner's Manual (SH-59).



The ELI-te system has an input voltage range of 8 – 16 volts. SAF-HOLLAND has developed an in-line voltage reducer for 24-volt applications. The part number of the voltage reducer is CVT-17-SAF-2. This part is not supplied as standard and must be ordered separately.

### ELI-te kits for retro-fit

ELI-te is also available as a retro-fit kit for FW351 and FW331. The kit part number is RK12131AU. The retro-fit kit contents are shown below.



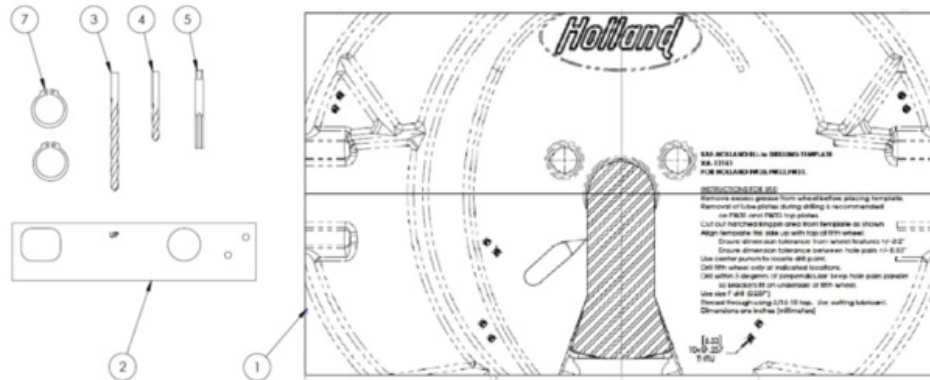
| ITEM | DESCRIPTION                          | QTY. |
|------|--------------------------------------|------|
| 1    | Bracket, Indicator Light             | 2    |
| 2    | Bracket, Inspection Light, Left      | 1    |
| 3    | Bracket, Inspection Light, Right     | 1    |
| 4    | Bracket, Cam Sensor                  | 1    |
| 5    | Sensor Flag Assembly, Kingpin        | 1    |
| 6    | Cap Head Bolt, 5/16" -18 x 1/2" LG   | 14   |
| 7    | Bracket, Wire Mount                  | 1    |
| 8    | Coupling Monitor Assembly            | 1    |
| 9    | Power Extension Cable (pn: RK120150) | 1    |

Ph 03 9971 7900 · enquiries@safholland.com.au · 2018-04-17 · TB-1

The individual components for the retro-fit kit are not available to purchase separately. Hence, if one part of the system is damaged, a complete RK12131AU kit must be ordered and re-fitted. The exception to this is the power extension cable, which is available under part number: RK120150.

Users of the retro-fit kit should obtain a copy of the ELI-te Rebuild Kit Installation Instructions (SH-60). Electronic versions of these manuals are available at [www.safholland.com.au](http://www.safholland.com.au). In the future, a printed copy of the Instructions will be supplied with every ELI-te retro-fit kit.

Users of the retro-fit kit will also require an installation kit, as the fifth wheel will need to be drilled to allow the kit to be fitted. The installation kit part number is RK12116. It comprises the drilling hardware, and includes a printed drilling template and detailed set of installation instructions (XL-FW20137BM-en-US). Electronic versions of the drilling template and installation instructions are available at [www.safholland.com.au](http://www.safholland.com.au). The drilling kit contents are shown below:



| ITEM | DESCRIPTION  | QTY. |
|------|--|------|
| 1    | Drill template for ELI-te retro-fit                      | 1    |
| 2    | Drill fixture  | 1    |
| 3    | Drill #F (0.2570")                                       | 1    |
| 4    | Drill #1 (0.2280")                                       | 1    |
| 5    | 5/16-18 Tap  | 1    |
| 6    | Zip lock bag (not shown)                                 | 1    |
| 7    | Retaining clip   | 2    |
| 8    | Installation instructions XL-FW20137BM-en-US (not shown) | 1    |

### Summary of ELI-te part numbers and literature

| PART / KIT / DOCUMENT                            | PART / KIT / DOCUMENT NUMBER | AVAILABILITY  |
|--|------------------------------|---|
| ELI-te pre-installed onto fifth wheel assemblies | See attached table           | Contact SAF-Holland   |
| ELI-te in-line voltage reducer                   | CVT17-SAF-2                  | Contact SAF-Holland   |
| ELI-te retro-fit kit                             | RK12131AU                    | Contact SAF-Holland   |
| ELI-te drilling installation kit                 | RK12116                      | Contact SAF-Holland   |
| ELI-te power extension cable                     | RK120150                     | Contact SAF-Holland   |
| ELI-te Owner's Manual                            | SH-59                        | <a href="http://www.safholland.com.au">www.safholland.com.au</a>  |
| ELI-te Rebuild kit Installation Instructions     | SH-60                        | <a href="http://www.safholland.com.au">www.safholland.com.au</a>  |
| ELI-te Drilling kit Installation Instructions    | XL-FW20137BM-en-US           | <a href="http://www.safholland.com.au">www.safholland.com.au</a> , and hard copy also included in RK12116 |

Please contact SAF-HOLLAND Customer Service to order ELI-te assemblies or retro-fit kits.

For technical information, please contact SAF-HOLLAND Technical Service on (03) 9971 7900, or via e-mail on [service@safholland.com.au](mailto:service@safholland.com.au).

Ph 03 9971 7900 · [enquiries@safholland.com.au](mailto:enquiries@safholland.com.au) · 2018-04-17 · TB-1

| <b>FW351 assemblies – truck (D1 specification)</b> |  |
|--|--|
| FW351159FPD1ELIT                                   | FW351 XB2007HL Cast Feet on 1050x660x16mm plate w/ELITE      |
| FW351181FPD1ELIT                                   | FW351 XB2007HT Cast Feet on 1050x660x16mm plate w/ELITE      |
| FW351206FPD1ELIT                                   | FW351 XB2007HF Cast Feet on 1050x660x16mm plate e/WLITE      |
| FW351214FPD1ELIT                                   | FW351 XB2007HA Cast Feet on 1050x660x16mm plate w/ELITE      |
| FW351230FPD1ELIT                                   | FW351 XB2007HG Cast Feet on 1050x660x16mm plate w/ELITE      |
| FW351248FPD1ELIT                                   | FW351 XB2007HX Cast Feet on 1050x660x16mm Plate with ELITE   |
| FW351231SRD1ELIT                                   | FW351 SR B/Race With HL Feet on 1050x1016x16mm plate w/ELITE |

| <b>FW351 assemblies – trailer (standard handle)</b> |                            |
|---|----------------------------|
| FW351LELITE   | FW351 with HL Feet w/ELITE |
| FW351TELITE   | FW351 with HT Feet w/ELITE |
| FW351FELITE   | FW351 with HF Feet w/ELITE |
| FW351AELITE   | FW351 with HA Feet w/ELITE |
| FW351GELITE   | FW351 with HG Feet w/ELITE |
| FW351XELITE   | FW351 with HX Feet w/ELITE |

| <b>FW331 assemblies – truck (D1 specification)</b> |  |
|--|--|
| FW331168FPD1ELIT                                   | Low Lube FW331 XB2007HL Cast Feet on 1050x660x16mm plate w/ELITE |
| FW331190FPD1ELIT                                   | Low Lube FW331 XB2007HT Cast Feet on 1050x660x16mm plate w/ELITE |
| FW331215FPD1ELIT                                   | Low Lube FW331 XB2007HF Cast Feet on 1050x660x16mm plate w/ELITE |
| FW331223FPD1ELIT                                   | Low Lube FW331 XB2007HA Cast Feet on 1050x660x16mm plate w/ELITE |
| FW331239FPD1ELIT                                   | Low Lube FW331 XB2007HG Cast Feet on 1050x660x16mm plate w/ELITE |
| FW331257FPD1ELIT                                   | Low Lube FW331 XB2007HX Cast Feet on 1050x660x16mm plate w/ELITE |

| <b>FW331 assemblies – trailer (standard handle)</b> |   |
|---|---|
| FW331LELITE   | Low Lube FW331 152mm HL Feet & Bushes w/ELITE |
| FW331TELITE   | Low Lube FW331 174mm HT Feet & Bushes w/ELITE |
| FW331FELITE   | Low Lube FW331 199mm HF Feet & Bushes w/ELITE |
| FW331AELITE   | Low Lube FW331 207mm HA Feet & Bushes w/ELITE |
| FW331GELITE   | Low Lube FW331 223m HG Feet & Bushes w/ELITE  |
| FW331XELITE   | Low Lube FW331 241mm HX Feet & Bushes w/ELITE |

| <b>FW351 assemblies – trailer ('B' handle)</b> |   |
|--|---|
| FW351LBELITE                                   | FW351 B/Double Handle XB2007HL Case Feet XB16045P w/ELITE       |
| FW351TBELITE                                   | FW351 B/Double Handle XB2007HT Cast Feet XB16045p Bush w/ELITE  |
| FW351FBELITE                                   | FW351 B/Double Handle XB2007HF Cast Feet, XB16045P Bush w/ELITE |
| FW351ABELITE                                   | FW351 B/Double Handle XA2007HA Cast Feet XB16045P Bush w/ELITE  |
| FW351GBELITE                                   | FW351 B/Double Handle XB2007HG Cast Feet XB16045P Bush w/ELITE  |
| FW351XBELITE                                   | FW351 B/Double Handle XB2007HX Feet XB16045P Bushes w/ELITE     |

| <b>FW331 assemblies – trailer ('B' handle)</b> |   |
|--|---|
| FW331LBELITE                                   | Low Lube FW331 2007HL Feet B/Double Handle w/ELITE  |
| FW331TBELITE                                   | Low Lube FW331 2007HT Feet B/Double Handle w/ELITE  |
| FW331FBELITE                                   | Low Lube FW331 2007HF Feet, B/Double handle w/ELITE |
| FW331ABELITE                                   | Low Lube FW331 2007HA Feet B/Double Handle w/ELITE  |
| FW331GBELITE                                   | Low Lube FW331 2007HG Feet, B/Double Handle w/ELITE |
| FW331XBELITE                                   | Low Lube FW331 2007HX Feet B/Double Handle w/ELITE  |

Ph 03 9971 7900 · enquiries@safholland.com.au · 2018-04-17 · TB-1

| <b>FW351 assemblies – truck (D2 specification)</b> |  |
|--|--|
| FW351159FPD2ELIT                                   | FW351 XB2007HL Cast Feet on 960x660x16mm plate w/ELITE       |
| FW351181FPD2ELIT                                   | FW351 XB2007HT Cast Feet on 960x660x16mm plate w/ELITE       |
| FW351206FPD2ELIT                                   | FW351 XB2007HF Cast Feet on 960x660x16mm plate w/ELITE       |
| FW351214FPD2ELIT                                   | FW351 XB2007HA Cast Feet on 960x660x16mm plate w/ELITE       |
| FW351230FPD2ELIT                                   | FW351 XB2007HG Cast Feet on 960x660x16mm plate w/ELITE       |
| FW351248FPD2ELIT                                   | FW351 XB2007HX Cast Feet on 960x660x16mm plate w/ELITE       |
| FW351231SRD2ELIT                                   | FW351 SR B/Race With HL Feet on 1000x1016x16mm plate w/ELITE |

| <b>FW331 assemblies – truck (D2 specification)</b> |   |
|--|---|
| FW331168FPD2ELIT                                   | Low Lube FW331 XB2007HL Cast Feet on 960x660x16mm plate w/ELITE |
| FW331190FPD2ELIT                                   | Low Lube FW331 XB2007HT Cast Feet on 960x660x16mm plate w/ELITE |
| FW331215FPD2ELIT                                   | Low Lube FW331 XB2007HF Cast Feet on 960x660x16mm plate w/ELITE |
| FW331223FPD2ELIT                                   | Low Lube FW331 XB2007HA Cast Feet on 960x660x16mm plate w/ELITE |
| FW331239FPD2ELIT                                   | Low Lube FW331 XB2007HG Cast Feet on 960x660x16mm plate w/ELITE |
| FW331257FPD2ELIT                                   | Low Lube FW331 XB2007HX Cast Feet on 960x660x16mm plate w/ELITE |

---

Ph 03 9971 7900 · enquiries@safholland.com.au · 2018-04-17 · TB-1

---