

Change to INTRA-series Airbag Specification

In 2018, SAF-HOLLAND changed the design of airbags with plastic pistons fitted to Intra-series suspensions. The design change incorporates a steel reinforcing ring into the lower structural piece of the airbag, which increases its strength. The airbag models and part numbers are shown below.

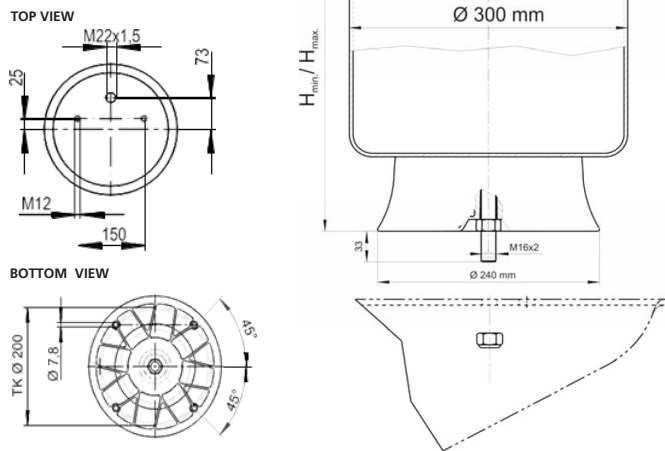
Prior to this change, a 5 mm supporting plate (p/n: 1284605200) was specified by SAF-HOLLAND Australia for fitment when those airbags were installed in the '60 mm offset' position. That requirement is now redundant. SAF-HOLLAND suspension order forms have been updated to reflect this change.

Please ensure when placing orders with our sales or customer service team that the most recent edition of the order forms are used.

Please also note that the reinforcing plate is still available for order using the listed part number, but it is no longer specified as necessary by SAF-HOLLAND Australia.

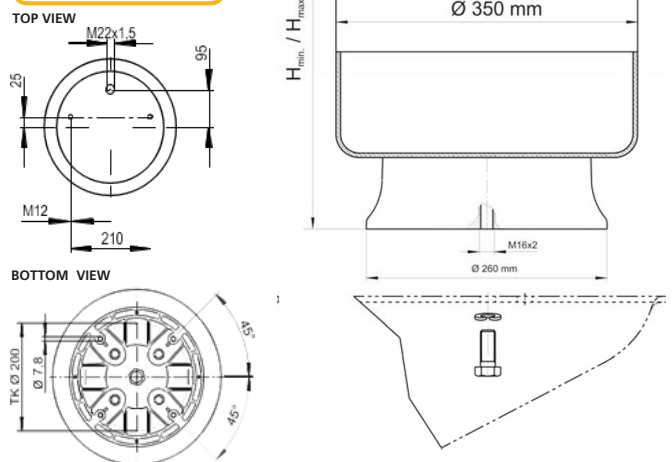
300 MM DIAMETER AIRBAG (MODEL: 2619V, CODE: 33)

Model: 2619V
Code: 33
Hmin: 190 mm
Hmax: 560 mm
Ø: 300 mm
Piston: Plastic
p/n: 3228103300



350 MM DIAMETER AIRBAG (MODELS: 2919V (CODE: 42))

Model: 2919V
Code: 42
Hmin: 190 mm
Hmax: 560 mm
Ø: 350 mm
Piston: Plastic
p/n: 3228104200



For further information please contact SAF-HOLLAND Technical Services on (03) 9971 7900, or via e-mail at service@safholland.com.au