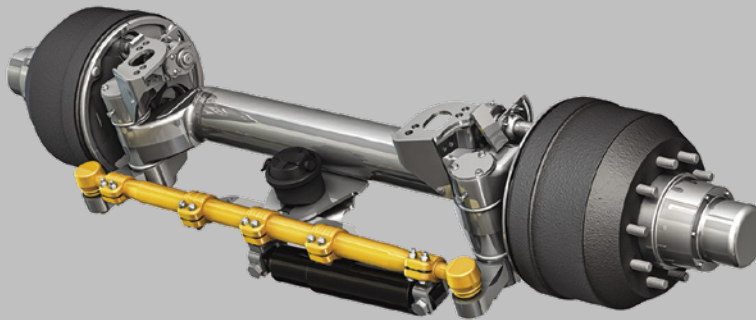


SAF® Self-Steer Axle Parts

SAF Self-Steer Axle Parts Manual

- Disc Brake
- Drum Brake



Contents	Page
Introduction.....	2
Warranty.....	2
Notes, Cautions, and Warnings.....	2
Section 1 - Model Identification.....	3
Section 2 - Self-Steer Axle Identification Chart.....	4
Section 3 - C88 Disc Brake SSA.....	5
Section 3.1 - C88 77.5" 20 Deg - 171110176910 (Gen I) and 171110476910 (Gen II).....	5
Section 3.2 - C88 85.4" 20 Deg - 171900975910 (Gen I) and 171111775910 (Gen II).....	6
Section 3.3 - C88 87.1" 20 Deg - 171110275910 (Gen I) and 171111575910 (Gen II).....	7
Section 3.4 - C88 87.1" 30 Deg - 171111175910 (Gen I) and 171111675910 (Gen II).....	8
Section 4 - P89 Disc Brake SSA.....	9
Section 4.1 - P89 77.5" 20 Deg - 13506047000.....	9
Section 4.2 - P89 85.4" 20 Deg - 13506047200.....	10
Section 4.3 - P89 87.1" 20 Deg - 13506047100.....	11
Section 4.4 - P89 85.4" 30 Deg - 13506047400.....	12

Contents	Page
Section 4.5 - P89 87.1" 30 Deg - 13506047300.....	13
Section 5 - Drum Brake SSA.....	14
Section 5.1 - Drum 77.5" 20 Deg Tierod Rearward – 13506042100.....	14
Section 5.2 - Drum 85.4" 20 Deg Tierod Rearward – 13506042400.....	15
Section 5.3 - Drum 87.1" 20 Deg Tierod Rearward – 13506041900.....	16
Section 5.4 - Drum 77.5" 20 Deg Tierod Forward - 13506043900.....	17
Section 5.5 - Drum 85.4" 20 Deg Tierod Forward - 13506044000.....	18
Section 5.6 - Drum 87.1" 20 Deg Tierod Forward - 13506043800.....	19
Section 5.7 - Drum 85.4" 30 Deg Tierod Forward - 13506043200.....	20
Section 5.8 - Drum 87.1" 30 Deg Tierod Forward – 13506043100.....	21

Introduction

This manual provides you with information necessary for the care, maintenance, inspection and safe operation of the SAF Self-Steering Axle. SAF axles are designed and engineered to provide trouble-free service.

NOTE: This literature only covers the SAF Self-Steering Axle. Refer to other SAF-Holland literature for brakes, suspensions and other axle system components on our website www.safholland.us or contact customer service at 888-396-6501.

Warranty

Refer to the complete warranty for the country in which the product will be used. A copy of the U.S. Warranty can be downloaded from the SAF-HOLLAND Web Site (www.safholland.us).

Notes, Cautions, and Warnings

You must read and understand all of the safety procedures presented in this manual before starting any work on the suspension/axle.

Proper tools must be used to perform the maintenance and repair procedures described in this manual. Many of these procedures require special tools.

NOTE: In the United States, work shop safety requirements are defined by federal and/or state Occupational Safety and Health Act. Equivalent laws could exist in other countries. This manual is written based on the assumption that OSHA or other applicable employee safety regulations are followed by the location where work is performed.

Before starting any work on the unit, read and understand all the safety procedures presented in this manual. This manual contains the terms "NOTE", "IMPORTANT", "CAUTION", and "WARNING" followed by important product information. These terms are defined as follows:

NOTE: Includes additional information to enable accurate and easy performance of procedures.

IMPORTANT: Includes additional information that if not followed could lead to hindered product performance.

CAUTION

Used without the safety alert symbol, indicates a potentially hazardous situation which, if not avoided, could result in property damage.

CAUTION

Indicates a potentially hazardous situation which, if not avoided, could result in minor or moderate injury.

WARNING

Indicates a potentially hazardous situation which, if not avoided, could result in death or serious injury.

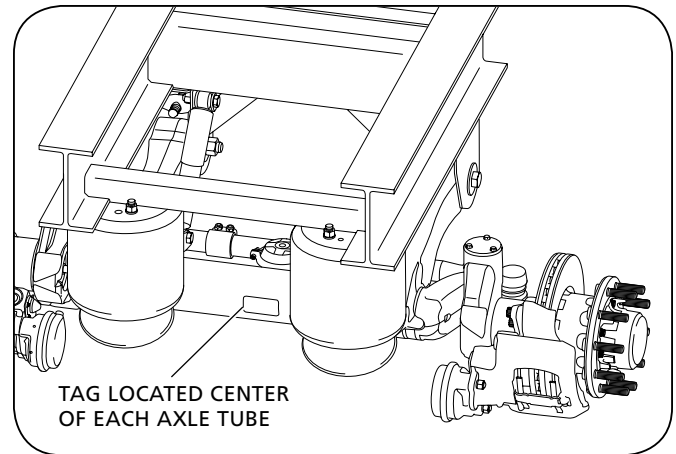
1. Model Identification

The Self-Steering Axle Serial Tag is located near the center of the axle tube (**Figure 1**).

The sample tag shown will help you interpret the information on the SAF-HOLLAND, Inc. serial number tag. The axle version, type, test report number, serial number, identification number, axle capacity, and max speed is listed on the tag (**Figure 2**).

NOTE: Axle Serial number or Part number (Identification number) is required to properly determine the correct service parts.

Figure 1



S I L 9 - 22K01

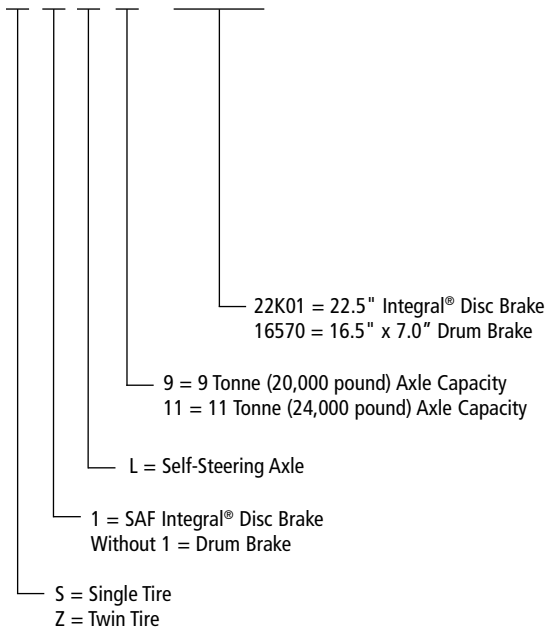


Figure 2

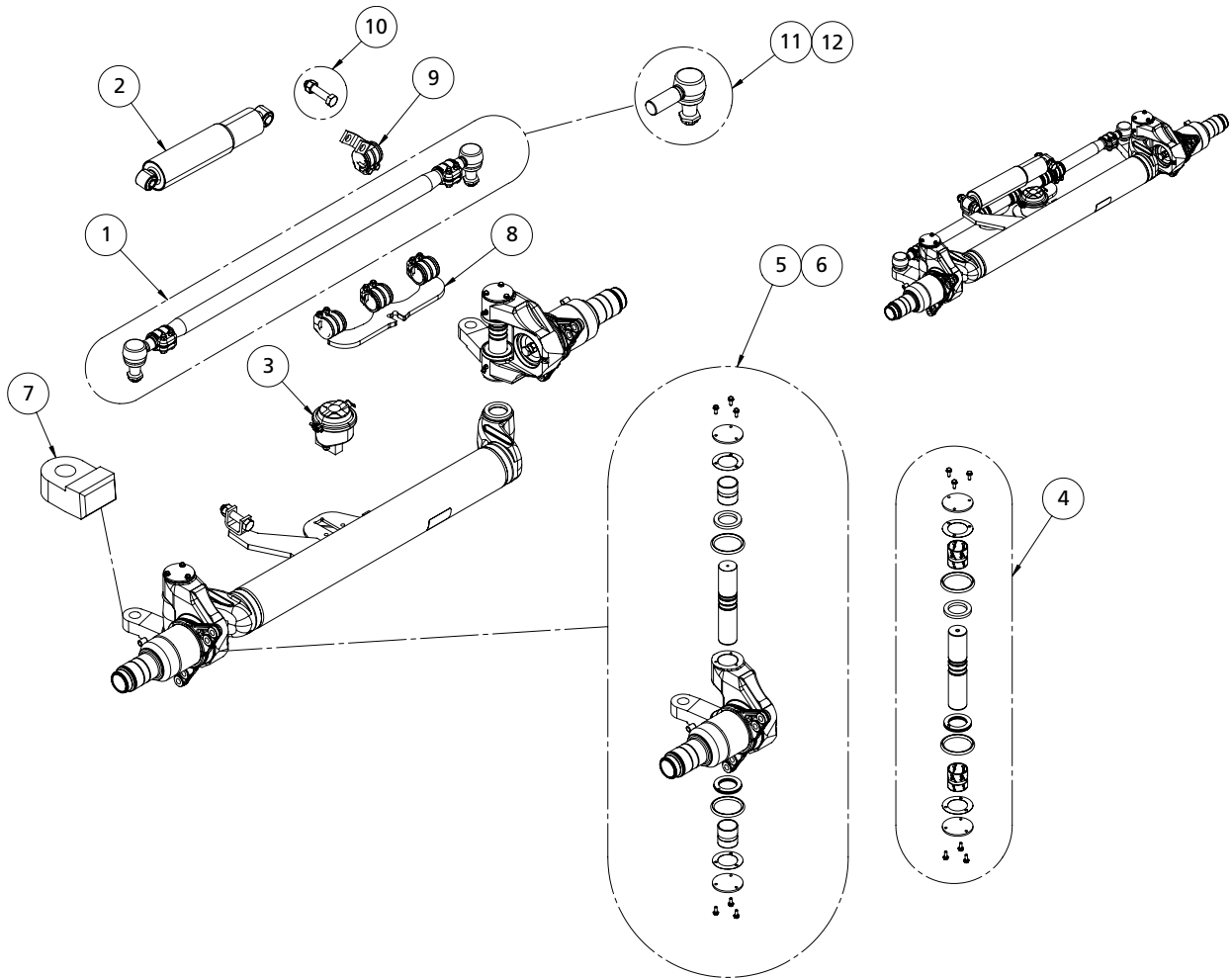
SAF-HOLLAND GMBH D-63856 BESSENBACH • GERMANY			
Version	SIL11-22K01	Serial No.	51 11 156 0020
Type	SBK2243-13501	Ident No.	171 11 02 750 10
Test Report	3611203	Perm. axle cap. stat.	11000kg
Made in Germany		V max.	105 km/h
AN 3335528		SN 11091560020	

2. Self-Steer Axle Identification Chart

SAF SELF-STEER AXLES				
Identification Number	Brake Type	Axle Track	Steer Angle	Tierod Location
C88 DISC BRAKE SSA				
171110176910 (Gen I)	C88 Disc	77.5"	20 DEG	FORWARD
171110476910 (Gen II)		85.4"		
171900975910 (Gen I)				
171111775910 (Gen II)				
171110275910 (Gen I)		87.1"	30 DEG	
171111575910 (Gen II)				
171111175910 (Gen I)				
171111675910 (Gen II)				
P89 AND P89 PLUS DISC BRAKE SSA				
13506047000	P89 and P89 Plus Disc	77.5"	20 DEG	FORWARD
13506047200		85.4"		
13506047100		87.1"		
13506047400		85.4"	30 DEG	
13506047300		87.1"		
DRUM BRAKE SSA				
13506042100	DRUM	77.5"	20 DEG	REARWARD
13506042400		85.4"		
13506041900		87.1"		
13506043900		77.5"		
13506044000		85.4"		
13506043800		87.1"	30 DEG	FORWARD
13506043200		85.4"		
13506043100		87.1"		

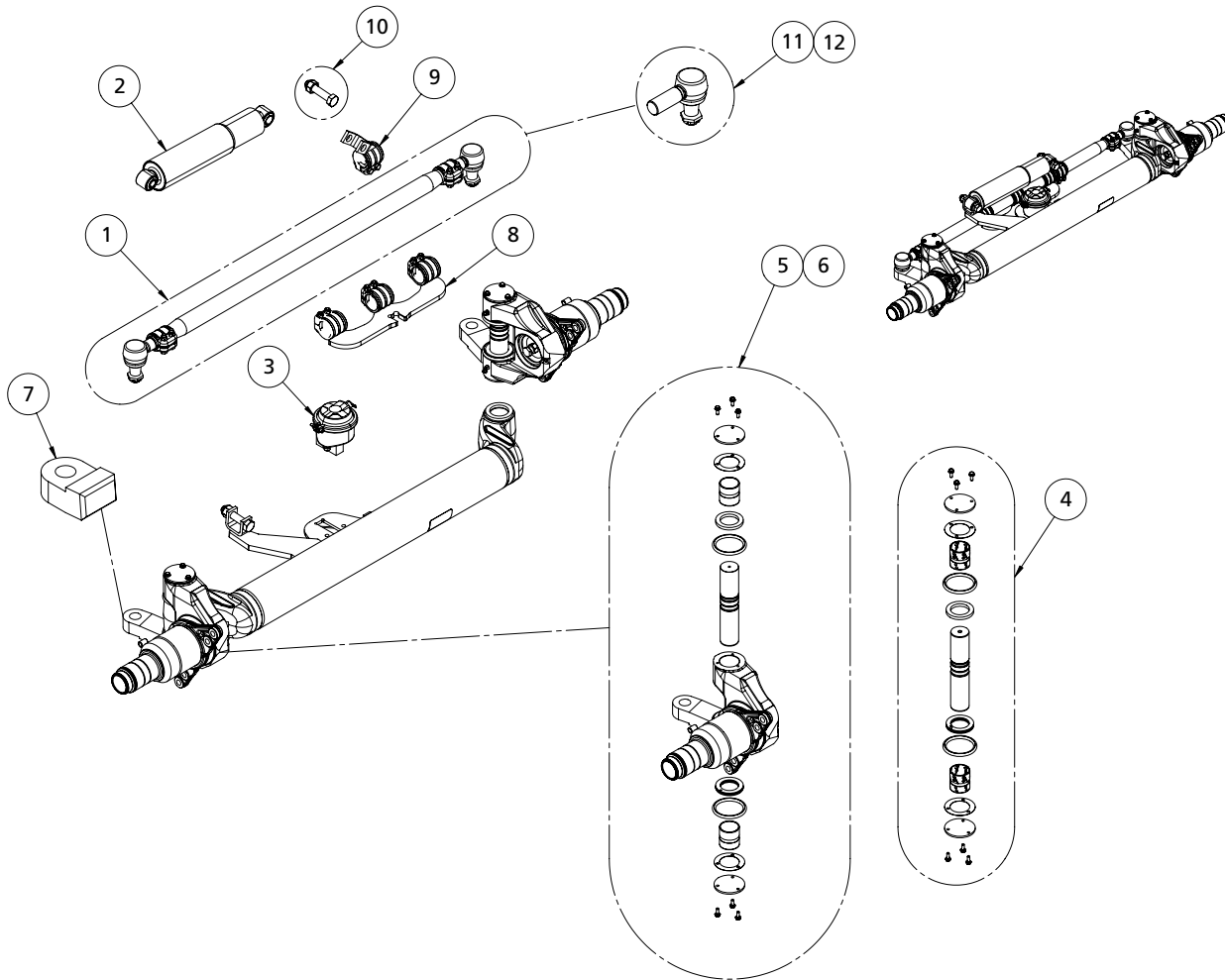
3. C88 Disc Brake SSA

3.1 C88 77.5" 20 Deg - 171110176910 (Gen I) and 171110476910 (Gen II)



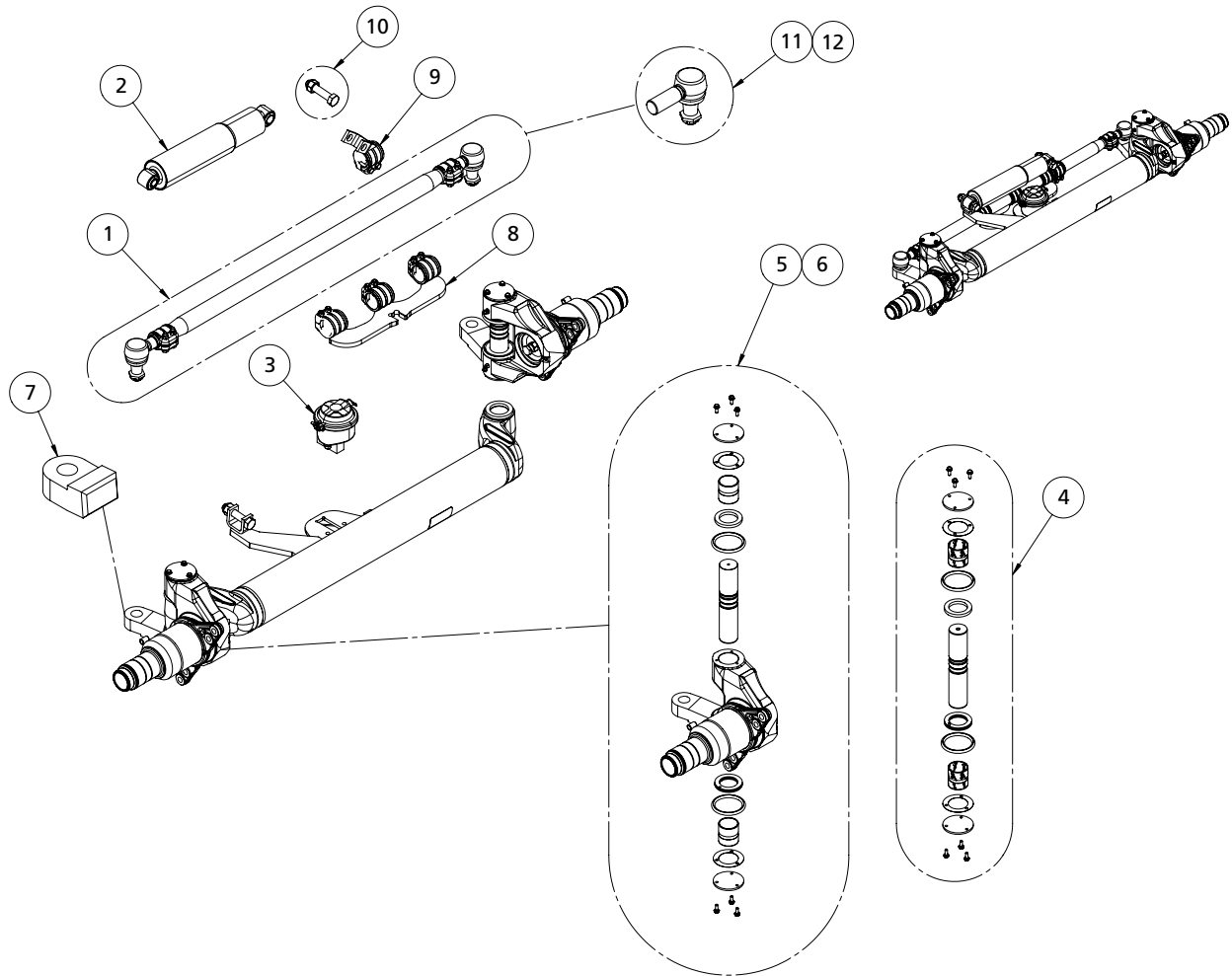
ITEM	DESCRIPTION	PART NO.	QTY / AXLE
1	TIEROD ASSY. w/ TIEROD ENDS	03357020800	1
2	SHOCK ABSORBER STEERING STABILIZER	02376101301	1
3	12 TYPE SERVICE LOCKOUT CHAMBER	03454112500	1
4	KINGPIN REPAIR KIT	03434365700	2
5A	(GEN I) FORK ASSEMBLY KIT - ROADSIDE (LEFT)	03222192100	1
5B	(GEN II) FORK ASSEMBLY KIT - ROADSIDE (LEFT)	03222195900	1
6A	(GEN I) FORK ASSEMBLY KIT - CURBSIDE (RIGHT)	03222192200	1
6B	(GEN II) FORK ASSEMBLY KIT - CURBSIDE (RIGHT)	03222196000	1
7	REPAIR KIT, C88 SELF-STEER TIEROD END	2074100000290	2
8	BACK UP LOCK	03193003800	1
9	STABILIZER TIEROD CLAMP	03194302000	1
10	BOLT AND NUT - M 24 x 110	03341002319	2
11	TIEROD END - LH	02205000300	1
12	TIEROD END - RH	02205000400	1

3.2 - C88 85.4" 20 Deg - 171900975910 (Gen I) and 171111775910 (Gen II)



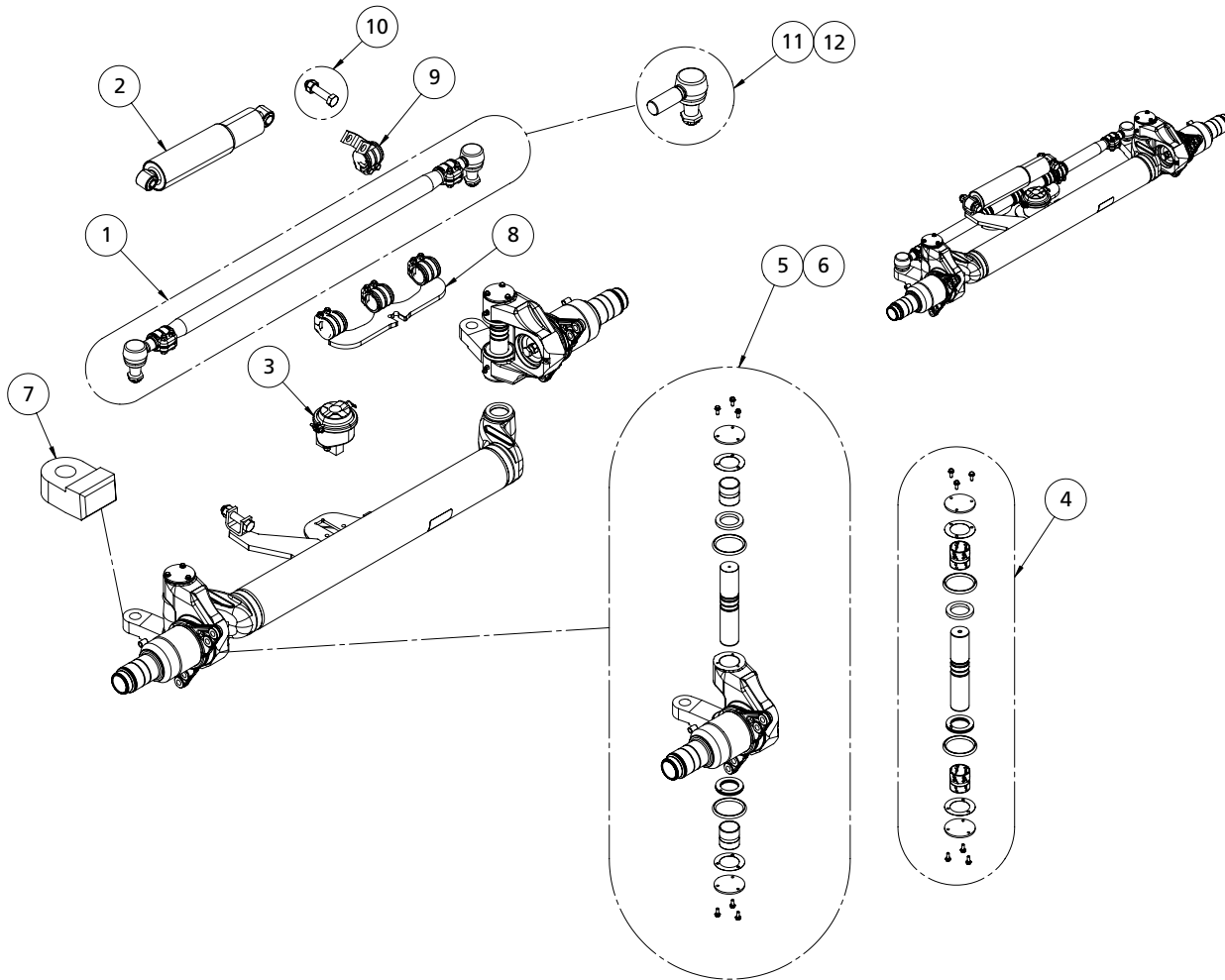
ITEM	DESCRIPTION	PART NO.	QTY / AXLE
1A	(GEN I) TIEROD ASSY. w/ TIEROD ENDS	03357021300	1
1B	(GEN II) TIEROD ASSY. w/ TIEROD ENDS	03357021200	1
2	SHOCK ABSORBER STEERING STABILIZER	02376101301	1
3	12 TYPE SERVICE LOCKOUT CHAMBER	03454112500	1
4	KINGPIN REPAIR KIT	03434365700	2
5A	(GEN I) FORK ASSEMBLY KIT - ROADSIDE (LEFT)	03222190900	1
5B	(GEN II) FORK ASSEMBLY KIT - ROADSIDE (LEFT)	03222196100	1
6A	(GEN I) FORK ASSEMBLY KIT - CURBSIDE (RIGHT)	03222191000	1
6B	(GEN II) FORK ASSEMBLY KIT - CURBSIDE (RIGHT)	03222196200	1
7	REPAIR KIT, C88 SELF-STEER TIEROD END	2074100000290	2
8	BACK UP LOCK	03193003800	1
9	STABILIZER TIEROD CLAMP	03194301700	1
10	BOLT AND NUT - M 24 x 110	03341002319	2
11	TIEROD END - LH	02205000300	1
12	TIEROD END - RH	02205000400	1

3.3 - C88 87.1" 20 Deg - 171110275910 (Gen I) and 171111575910 (Gen II)



ITEM	DESCRIPTION	PART NO.	QTY / AXLE
1	TIEROD ASSY. w/ TIEROD ENDS	03357021300	1
2	SHOCK ABSORBER STEERING STABILIZER	02376101301	1
3	12 TYPE SERVICE LOCKOUT CHAMBER	03454112500	1
4	KINGPIN REPAIR KIT	03434365700	2
5A	(GEN I) FORK ASSEMBLY KIT - ROADSIDE (LEFT)	03222190900	1
5B	(GEN II) FORK ASSEMBLY KIT - ROADSIDE (LEFT)	03222196100	1
6A	(GEN I) FORK ASSEMBLY KIT - CURBSIDE (RIGHT)	03222191000	1
6B	(GEN II) FORK ASSEMBLY KIT - CURBSIDE (RIGHT)	03222196200	1
7	REPAIR KIT, C88 SELF-STEER TIEROD END	2074100000290	2
8	BACK UP LOCK	03193003800	1
9	STABILIZER TIEROD CLAMP	03194301700	1
10	BOLT AND NUT - M 24 x 110	03341002319	2
11	TIEROD END - LH	02205000300	1
12	TIEROD END - RH	02205000400	1

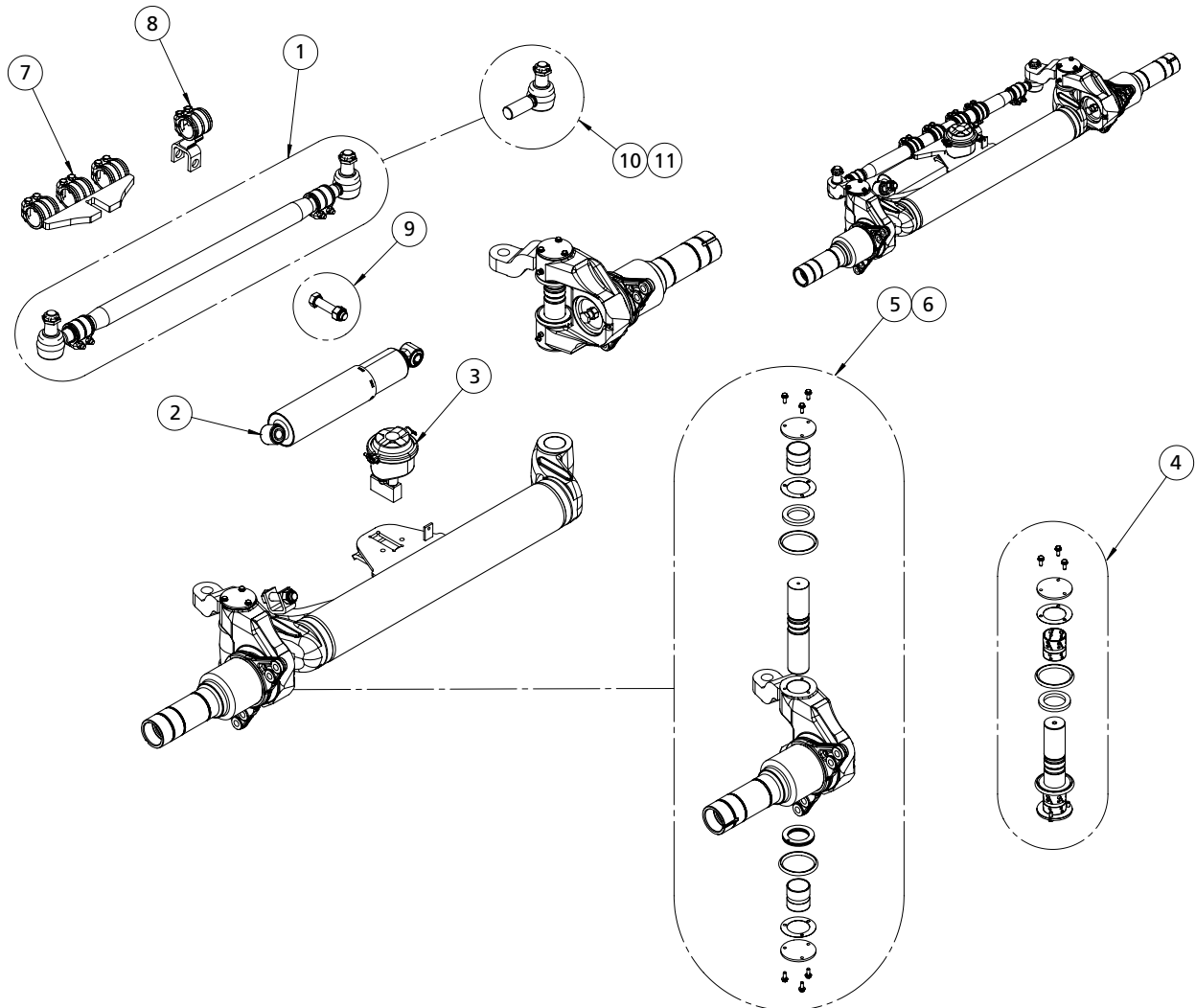
3.4 - C88 87.1" 30 Deg - 171111175910 (Gen I) and 171111675910 (Gen II)



ITEM	DESCRIPTION	PART NO.	QTY / AXLE
1	TIEROD ASSY. w/ TIEROD ENDS	03357021300	1
2	SHOCK ABSORBER STEERING STABILIZER	02376101301	1
3	12 TYPE SERVICE LOCKOUT CHAMBER	03454112500	1
4	KINGPIN REPAIR KIT	03434365700	2
5A	(GEN I) FORK ASSEMBLY KIT - ROADSIDE (LEFT)	03222190900	1
5B	(GEN II) FORK ASSEMBLY KIT - ROADSIDE (LEFT)	03222196100	1
6A	(GEN I) FORK ASSEMBLY KIT - CURBSIDE (RIGHT)	03222191000	1
6B	(GEN II) FORK ASSEMBLY KIT - CURBSIDE (RIGHT)	03222196200	1
7	REPAIR KIT, C88 SELF-STEER TIEROD END	2074100000290	2
8	BACK UP LOCK	03193003800	1
9	STABILIZER TIEROD CLAMP	03194301700	1
10	BOLT AND NUT - M 24 x 110	03341002319	2
11	TIEROD END - LH	02205000300	1
12	TIEROD END - RH	02205000400	1

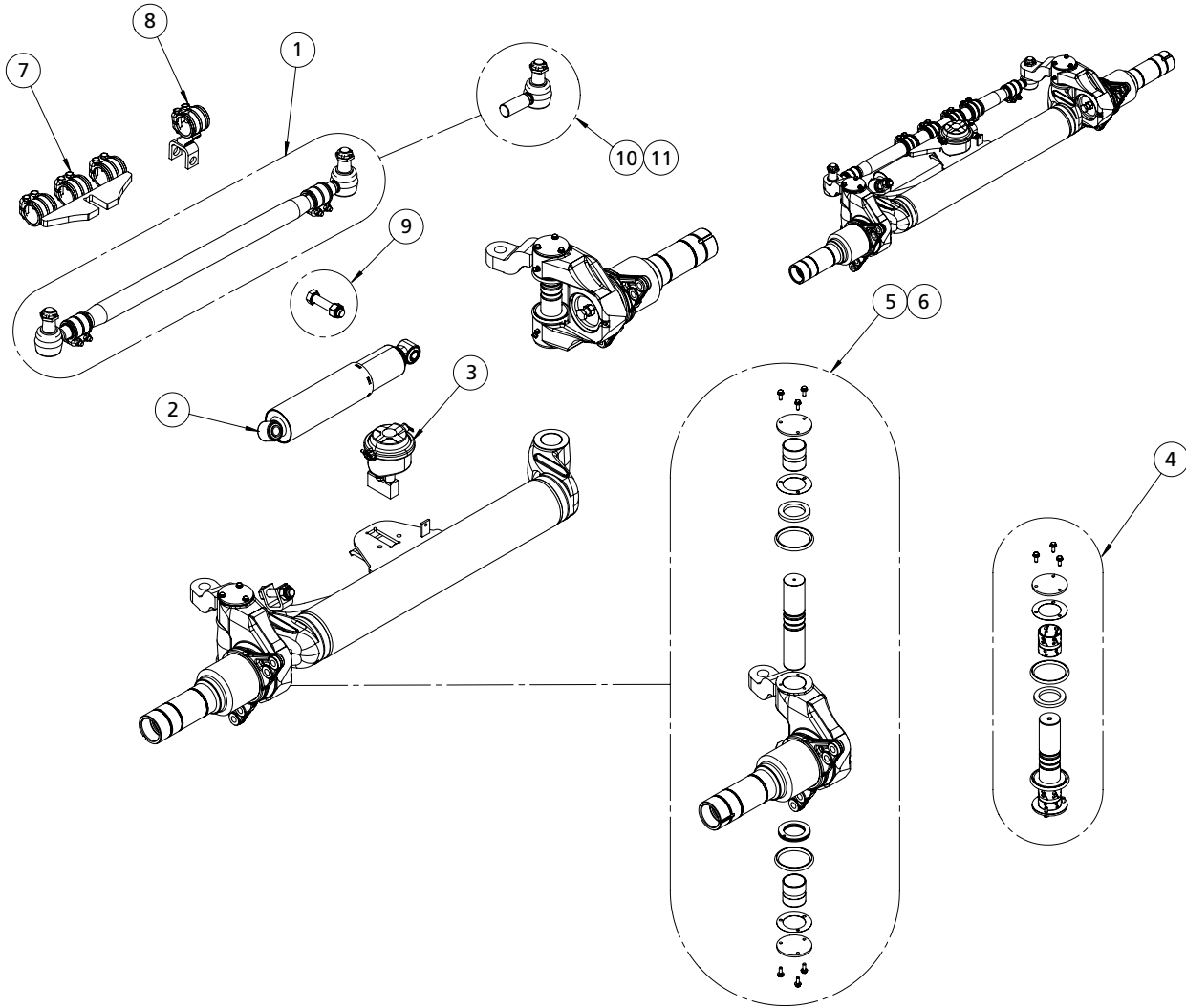
4. P89 Disc Brake SSA

4.1 - P89 77.5" 20 Deg - 13506047000



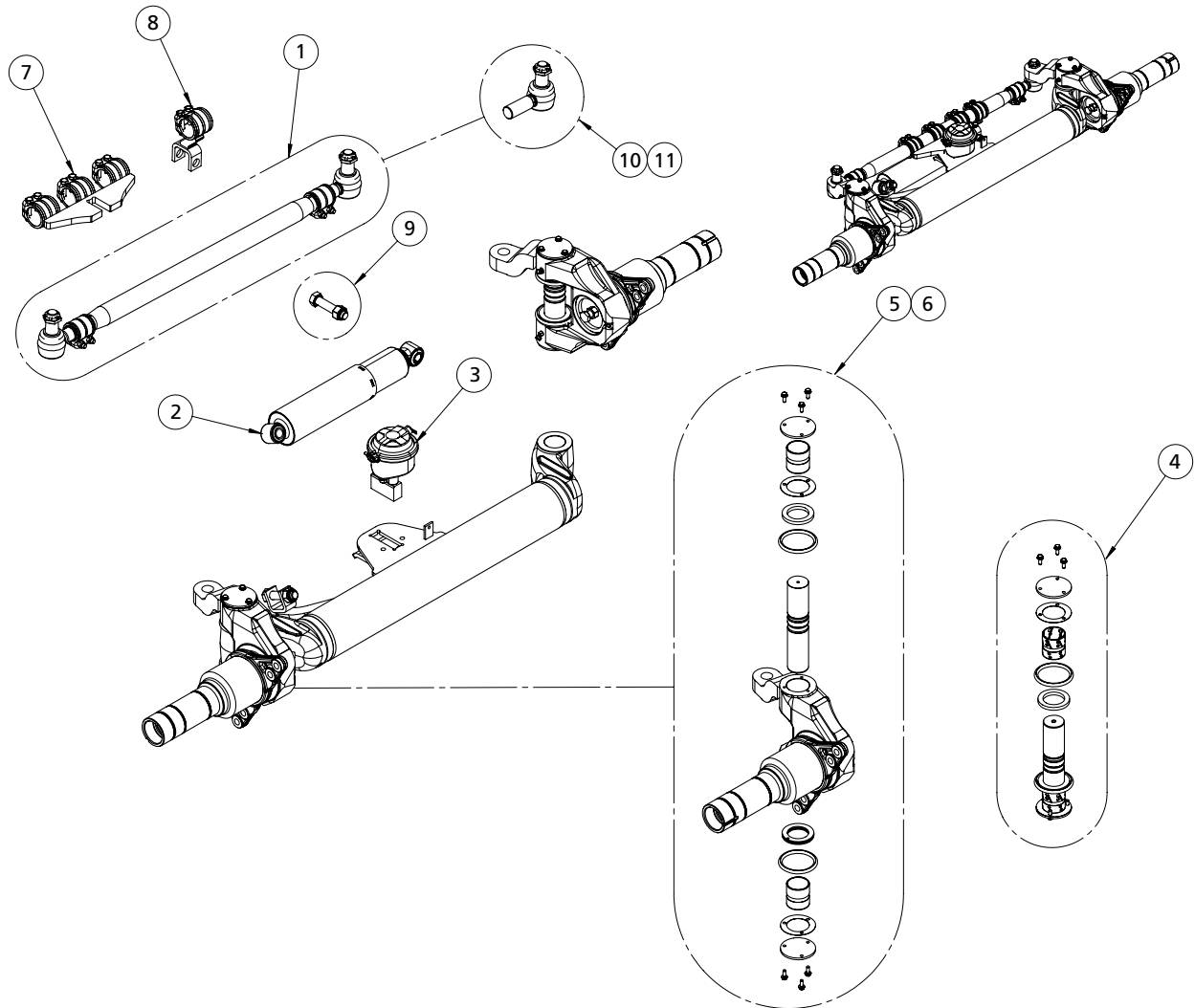
ITEM	DESCRIPTION	PART NO.	QTY / AXLE
1	TIEROD ASSY. w/ TIEROD ENDS	03357020700	1
2	SHOCK ABSORBER STEERING STABILIZER	02376101301	1
3	12 TYPE SERVICE LOCKOUT CHAMBER	03454112500	1
4	KINGPIN REPAIR KIT	03434365700	2
5	FORK ASSEMBLY KIT - ROADSIDE (LEFT)	2056100000010	1
6	FORK ASSEMBLY KIT - CURBSIDE (RIGHT)	2056100000020	1
7	BACK UP LOCK	02193003901	1
8	STABILIZER TIEROD CLAMP	03194301900	1
9	BOLT AND NUT - M 24 x 110	03341002319	2
10	TIEROD END - LH	02205000300	1
11	TIEROD END - RH	02205000400	1

4.2 - P89 85.4" 20 Deg - 13506047200



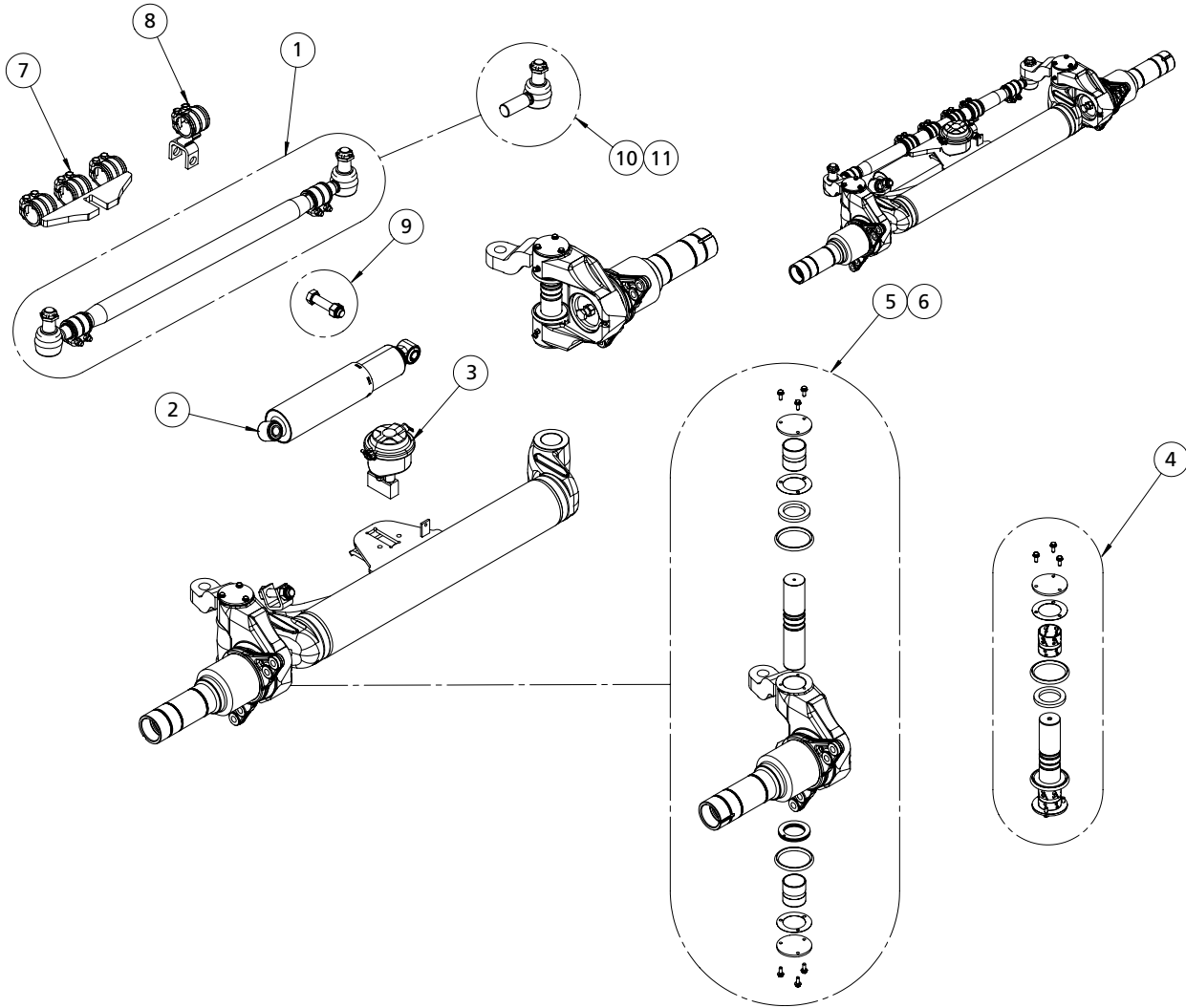
ITEM	DESCRIPTION	PART NO.	QTY / AXLE
1	TIEROD ASSY. w/ TIEROD ENDS	03357020400	1
2	SHOCK ABSORBER STEERING STABILIZER	02376101301	1
3	12 TYPE SERVICE LOCKOUT CHAMBER	03454112500	1
4	KINGPIN REPAIR KIT	03434365700	2
5	FORK ASSEMBLY KIT - ROADSIDE (LEFT)	2056100000010	1
6	FORK ASSEMBLY KIT - CURBSIDE (RIGHT)	2056100000020	1
7	BACK UP LOCK	02193003901	1
8	STABILIZER TIEROD CLAMP	03194301900	1
9	BOLT AND NUT - M 24 x 110	03341002319	2
10	TIEROD END - LH	02205000300	1
11	TIEROD END - RH	02205000400	1

4.3 - P89 87.1" 20 Deg - 13506047100



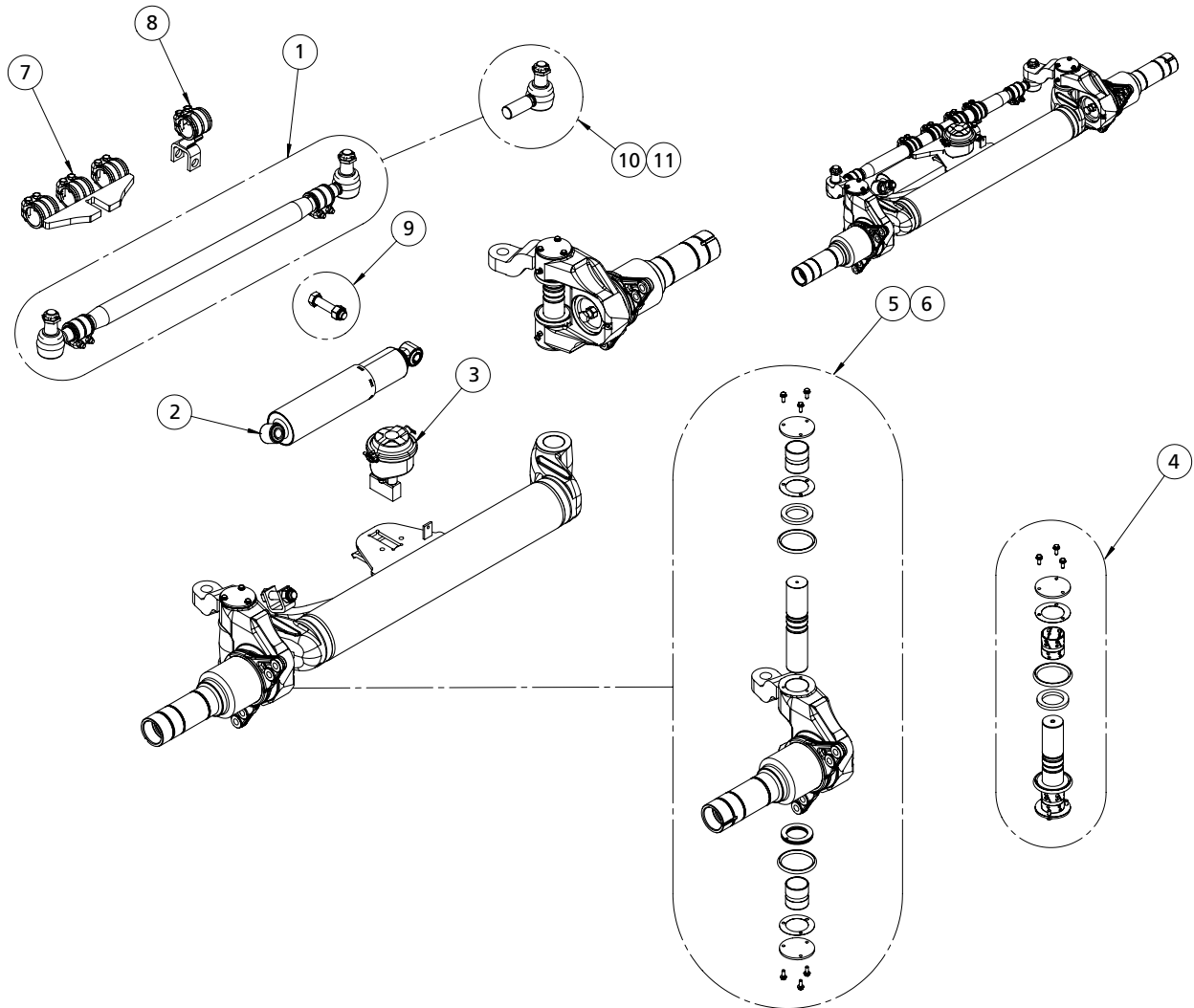
ITEM	DESCRIPTION	PART NO.	QTY / AXLE
1	TIEROD ASSY. w/ TIEROD ENDS	03357020400	1
2	SHOCK ABSORBER STEERING STABILIZER	02376101301	1
3	12 TYPE SERVICE LOCKOUT CHAMBER	03454112500	1
4	KINGPIN REPAIR KIT	03434365700	2
5	FORK ASSEMBLY KIT - ROADSIDE (LEFT)	2056100000010	1
6	FORK ASSEMBLY KIT - CURBSIDE (RIGHT)	2056100000020	1
7	BACK UP LOCK	02193003901	1
8	STABILIZER TIEROD CLAMP	03194301900	1
9	BOLT AND NUT - M 24 x 110	03341002319	2
10	TIEROD END - LH	02205000300	1
11	TIEROD END - RH	02205000400	1

4.4 - P89 85.4" 30 Deg - 13506047400



ITEM	DESCRIPTION	PART NO.	QTY / AXLE
1	TIEROD ASSY. w/ TIEROD ENDS	03357020400	1
2	SHOCK ABSORBER STEERING STABILIZER	02376101301	1
3	12 TYPE SERVICE LOCKOUT CHAMBER	03454112500	1
4	KINGPIN REPAIR KIT	03434365700	2
5	FORK ASSEMBLY KIT - ROADSIDE (LEFT)	2056100000010	1
6	FORK ASSEMBLY KIT - CURBSIDE (RIGHT)	2056100000020	1
7	BACK UP LOCK	02193005400	1
8	STABILIZER TIEROD CLAMP	03194301900	1
9	BOLT AND NUT - M 24 x 110	03341002319	2
10	TIEROD END - LH	02205000300	1
11	TIEROD END - RH	02205000400	1

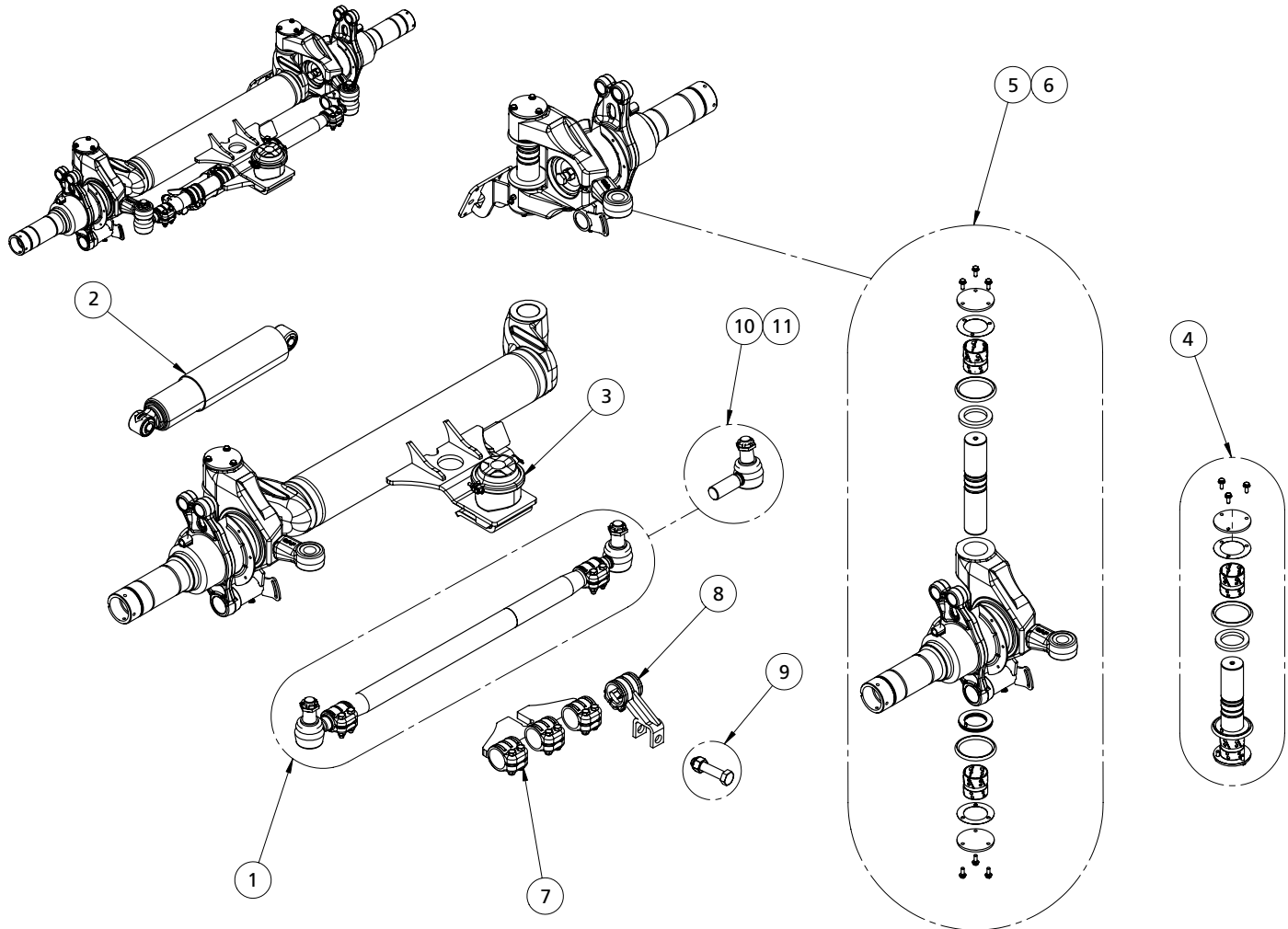
4.5 - P89 87.1" 30 Deg - 13506047300



ITEM	DESCRIPTION	PART NO.	QTY / AXLE
1	TIEROD ASSY. w/ TIEROD ENDS	03357020400	1
2	SHOCK ABSORBER STEERING STABILIZER	02376101301	1
3	12 TYPE SERVICE LOCKOUT CHAMBER	03454112500	1
4	KINGPIN REPAIR KIT	03434365700	2
5	FORK ASSEMBLY KIT - ROADSIDE (LEFT)	2056100000010	1
6	FORK ASSEMBLY KIT - CURBSIDE (RIGHT)	2056100000020	1
7	BACK UP LOCK	02193005400	1
8	STABILIZER TIEROD CLAMP	03194301900	1
9	BOLT AND NUT - M 24 x 110	03341002319	2
10	TIEROD END - LH	02205000300	1
11	TIEROD END - RH	02205000400	1

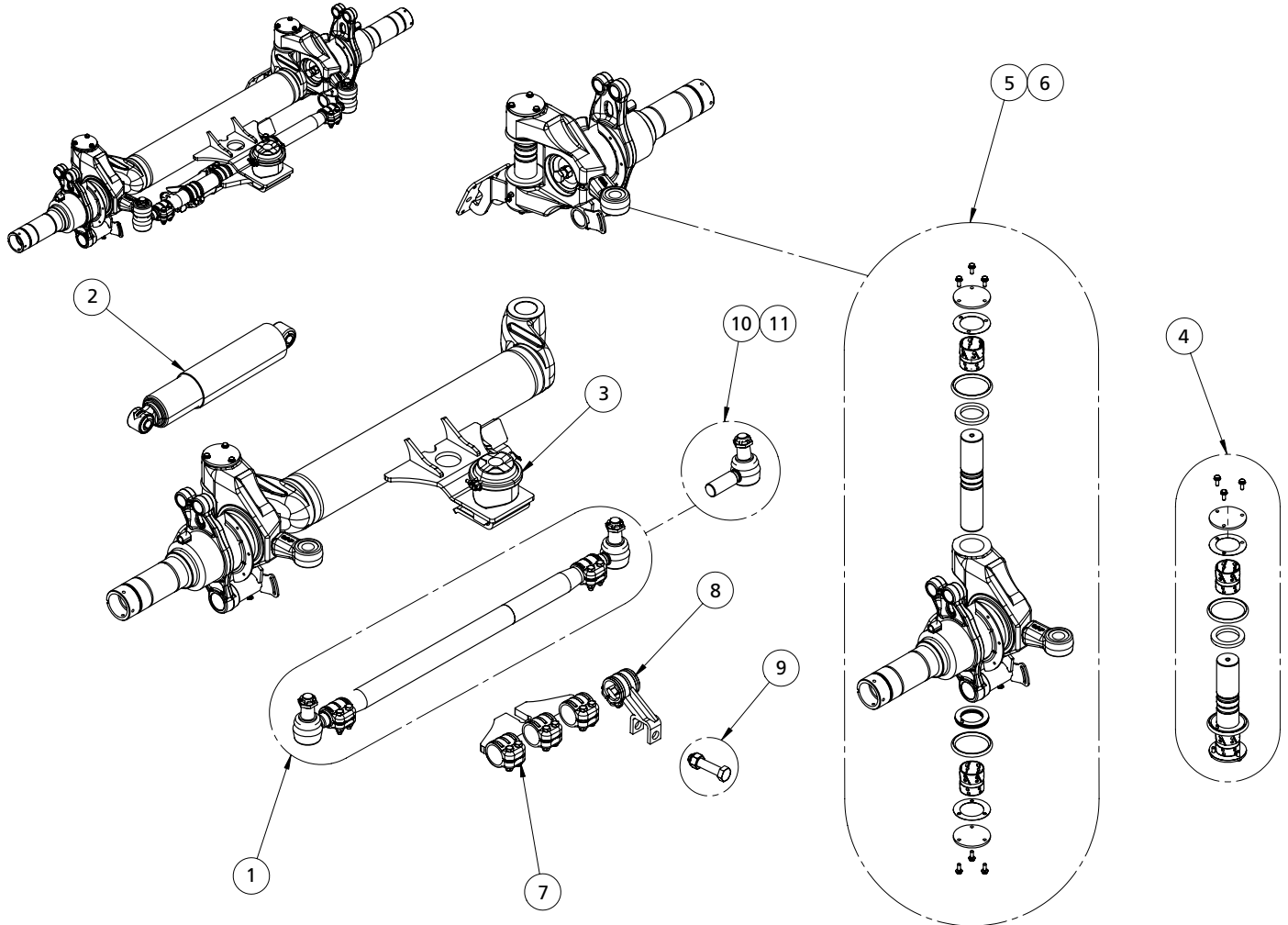
5. Drum Brake SSA

5.1 - Drum 77.5" 20 Deg Tierod Rearward – 13506042100



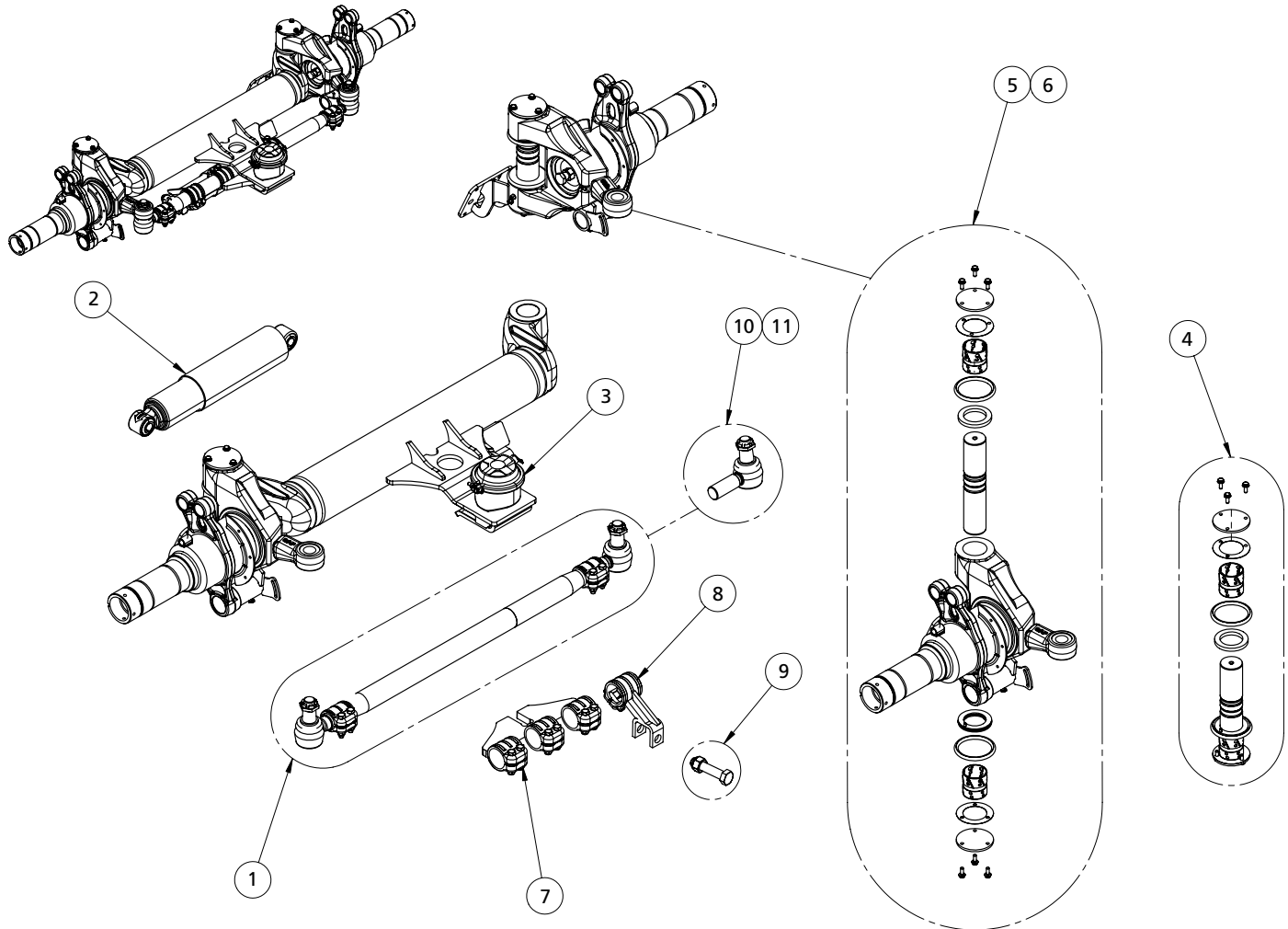
ITEM	DESCRIPTION	PART NO.	QTY / AXLE
1	TIEROD ASSY. w/ TIEROD ENDS	03357020700	1
2	SHOCK ABSORBER STEERING STABILIZER	02376101201	1
3	12 TYPE SERVICE LOCKOUT CHAMBER	03454112500	1
4	KINGPIN REPAIR KIT	03434365700	2
5	FORK ASSEMBLY KIT - ROADSIDE (LEFT)	03222199500	1
6	FORK ASSEMBLY KIT - CURBSIDE (RIGHT)	03222199600	1
7	BACK UP LOCK	02193003901	1
8	STABILIZER TIEROD CLAMP	03194301200	1
9	BOLT AND NUT - M 24 x 110	03341002319	2
10	TIEROD END - LH	02205000300	1
11	TIEROD END - RH	02205000400	1
	SSA CAMSHAFT BUSHING KIT (CAMs NOT INCLUDED)	51830061	1

5.2 - Drum 85.4" 20 Deg Tierod Rearward – 13506042400



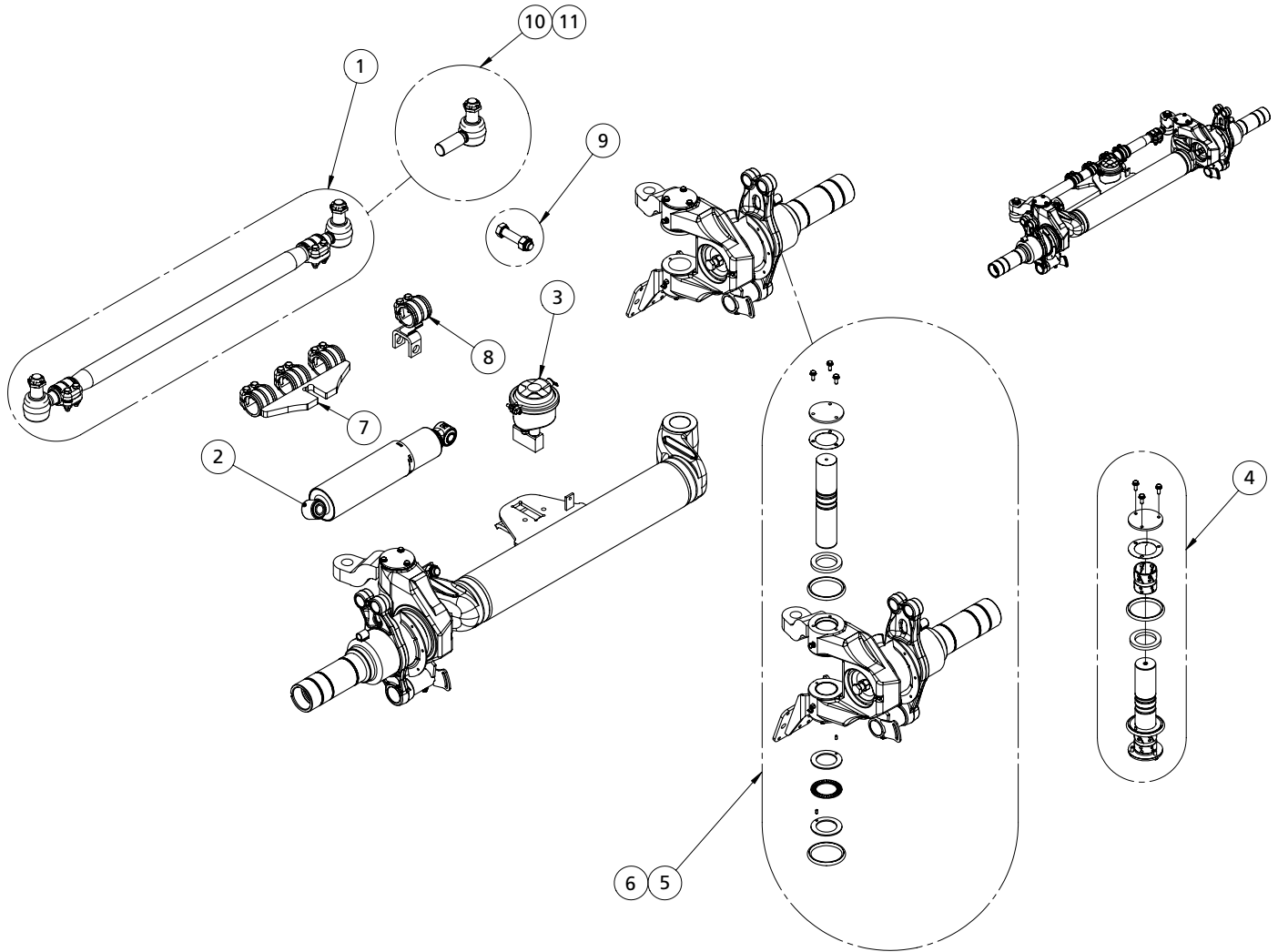
ITEM	DESCRIPTION	PART NO.	QTY / AXLE
1	TIEROD ASSY. w/ TIEROD ENDS	03357021100	1
2	SHOCK ABSORBER STEERING STABILIZER	02376101201	1
3	12 TYPE SERVICE LOCKOUT CHAMBER	03454112500	1
4	KINGPIN REPAIR KIT	03434365700	2
5	FORK ASSEMBLY KIT - ROADSIDE (LEFT)	03222199700	1
6	FORK ASSEMBLY KIT - CURBSIDE (RIGHT)	03222199800	1
7	BACK UP LOCK	02193003901	1
8	STABILIZER TIEROD CLAMP	03194301200	1
9	BOLT AND NUT - M 24 x 110	03341002319	2
10	TIEROD END - LH	02205000300	1
11	TIEROD END - RH	02205000400	1
	SSA CAMSHAFT BUSHING KIT (CAM NOT INCLUDED)	51830061	1

5.3 - Drum 87.1" 20 Deg Tierod Rearward – 13506041900



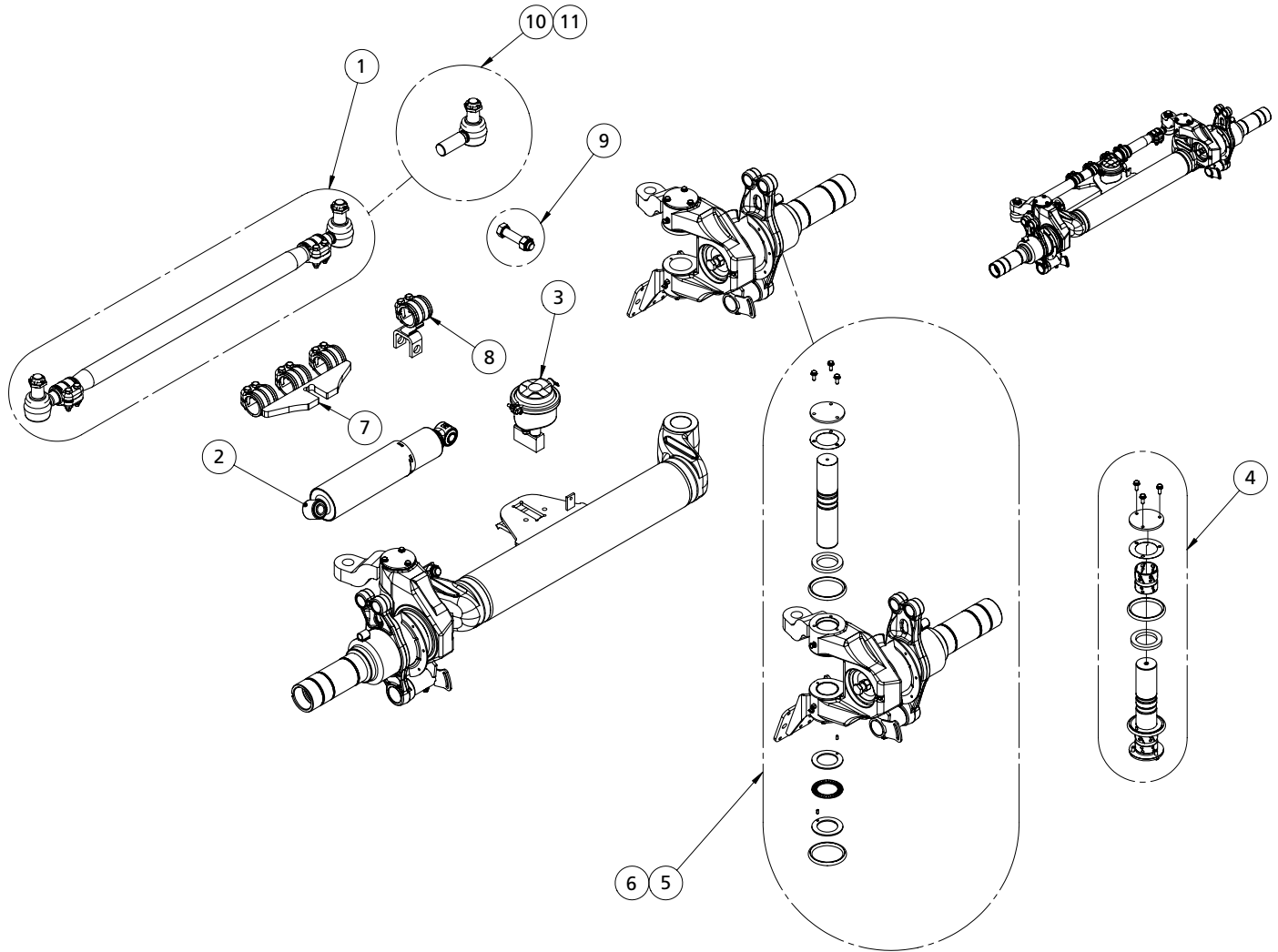
ITEM	DESCRIPTION	PART NO.	QTY
1	TIEROD ASSY. w/ TIEROD ENDS	03357021100	1
2	SHOCK ABSORBER STEERING STABILIZER	02376101201	1
3	12 TYPE SERVICE LOCKOUT CHAMBER	03454112500	1
4	KINGPIN REPAIR KIT	03434365700	2
5	FORK ASSEMBLY KIT - ROADSIDE (LEFT)	03222199700	1
6	FORK ASSEMBLY KIT - CURBSIDE (RIGHT)	03222199800	1
7	BACK UP LOCK	02193003901	1
8	STABILIZER TIEROD CLAMP	03194301200	1
9	BOLT AND NUT - M 24 x 110	03341002319	2
10	TIEROD END - LH	02205000300	1
11	TIEROD END - RH	02205000400	1
	SSA CAMSHAFT BUSHING KIT (CAM NOT INCLUDED)	51830061	1

5.4 - Drum 77.5" 20 Deg Tierod Forward – 13506043900



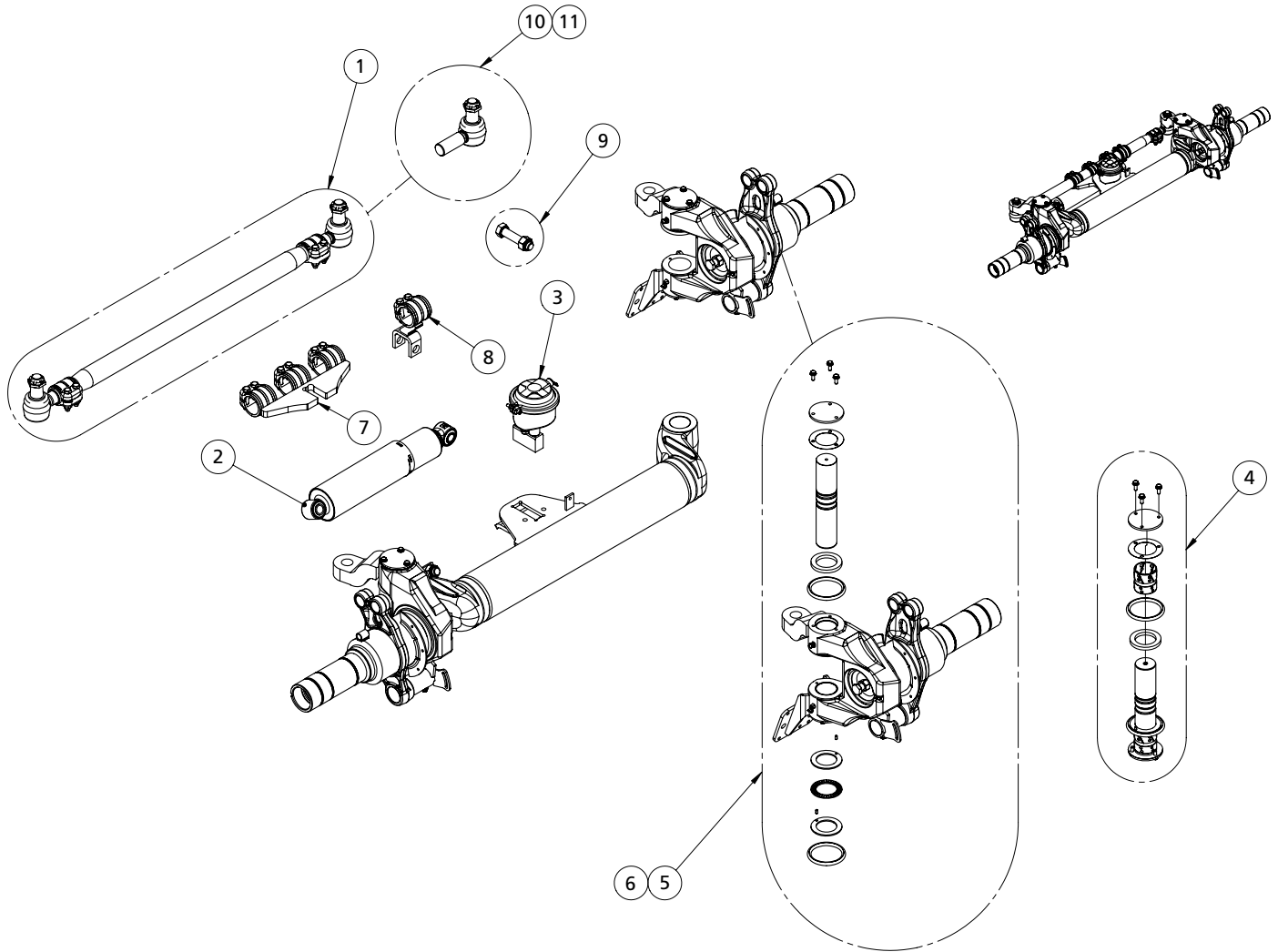
ITEM	DESCRIPTION	PART NO.	QTY
1	TIEROD ASSY. w/ TIEROD ENDS	03357020800	1
2	SHOCK ABSORBER STEERING STABILIZER	02376101301	1
3	12 TYPE SERVICE LOCKOUT CHAMBER	03454112500	1
4	KINGPIN REPAIR KIT	03434365700	2
5	FORK ASSEMBLY KIT - ROADSIDE (LEFT)	03222200300	1
6	FORK ASSEMBLY KIT - CURBSIDE (RIGHT)	03222200400	1
7	BACK UP LOCK	02193003901	1
8	STABILIZER TIEROD CLAMP	03194301900	1
9	BOLT AND NUT - M 24 x 110	03341002319	2
10	TIEROD END - LH	02205000300	1
11	TIEROD END - RH	02205000400	1
	SSA CAMSHAFT BUSHING KIT (CAM NOT INCLUDED)	51830061	1

5.5 - Drum 85.4" 20 Deg Tierod Forward – 13506044000



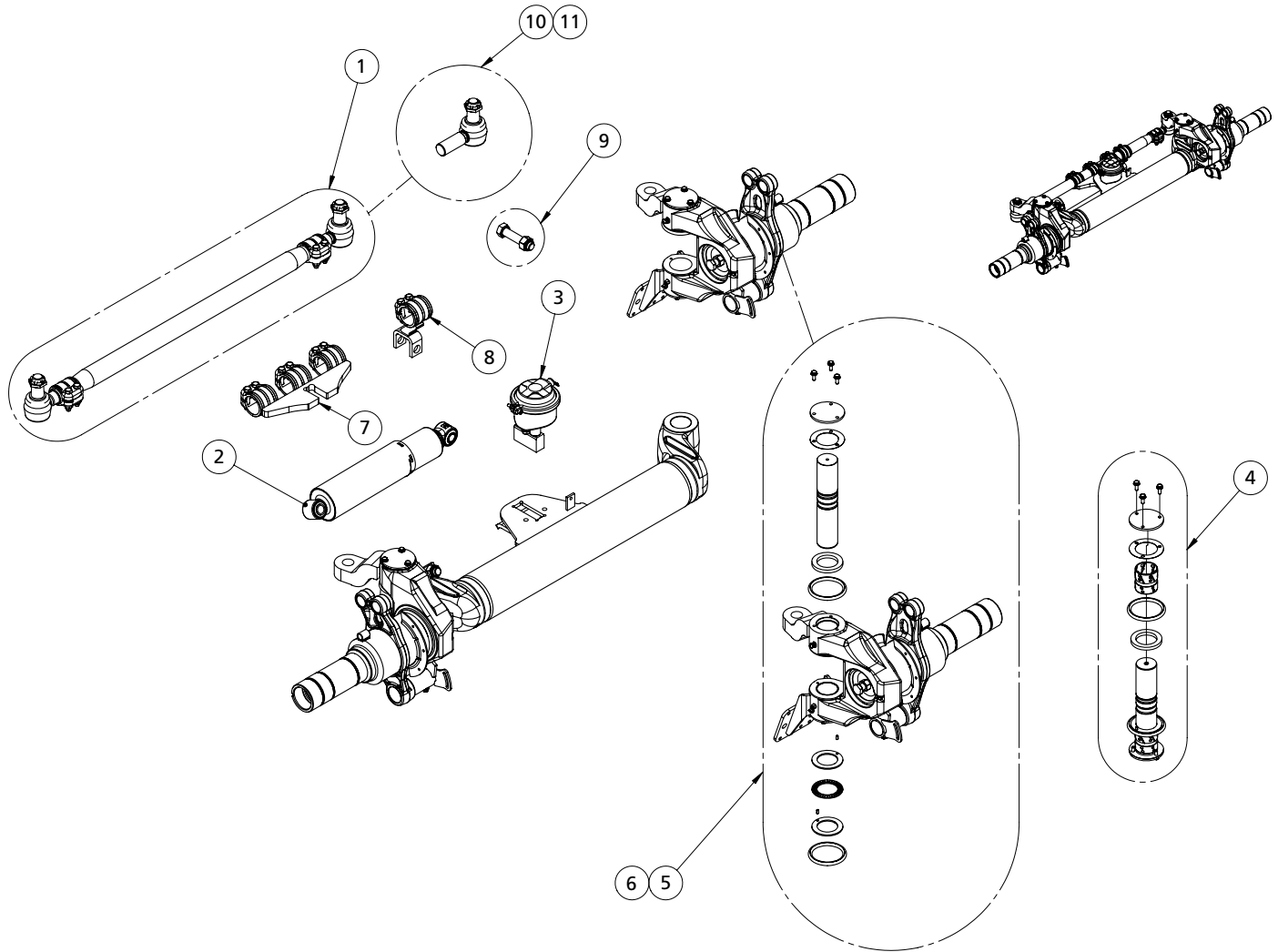
ITEM	DESCRIPTION	PART NO.	QTY
1	TIEROD ASSY. w/ TIEROD ENDS	03357021200	1
2	SHOCK ABSORBER STEERING STABILIZER	02376101301	1
3	12 TYPE SERVICE LOCKOUT CHAMBER	03454112500	1
4	KINGPIN REPAIR KIT	03434365700	2
5	FORK ASSEMBLY KIT - ROADSIDE (LEFT)	03222199900	1
6	FORK ASSEMBLY KIT - CURBSIDE (RIGHT)	03222200000	1
7	BACK UP LOCK	02193003901	1
8	STABILIZER TIEROD CLAMP	03194301900	1
9	BOLT AND NUT - M 24 x 110	03341002319	2
10	TIEROD END - LH	02205000300	1
11	TIEROD END - RH	02205000400	1
	SSA CAMSHAFT BUSHING KIT (CAMS NOT INCLUDED)	51830061	1

5.6 - Drum 87.1" 20 Deg Tierod Forward – 13506043800



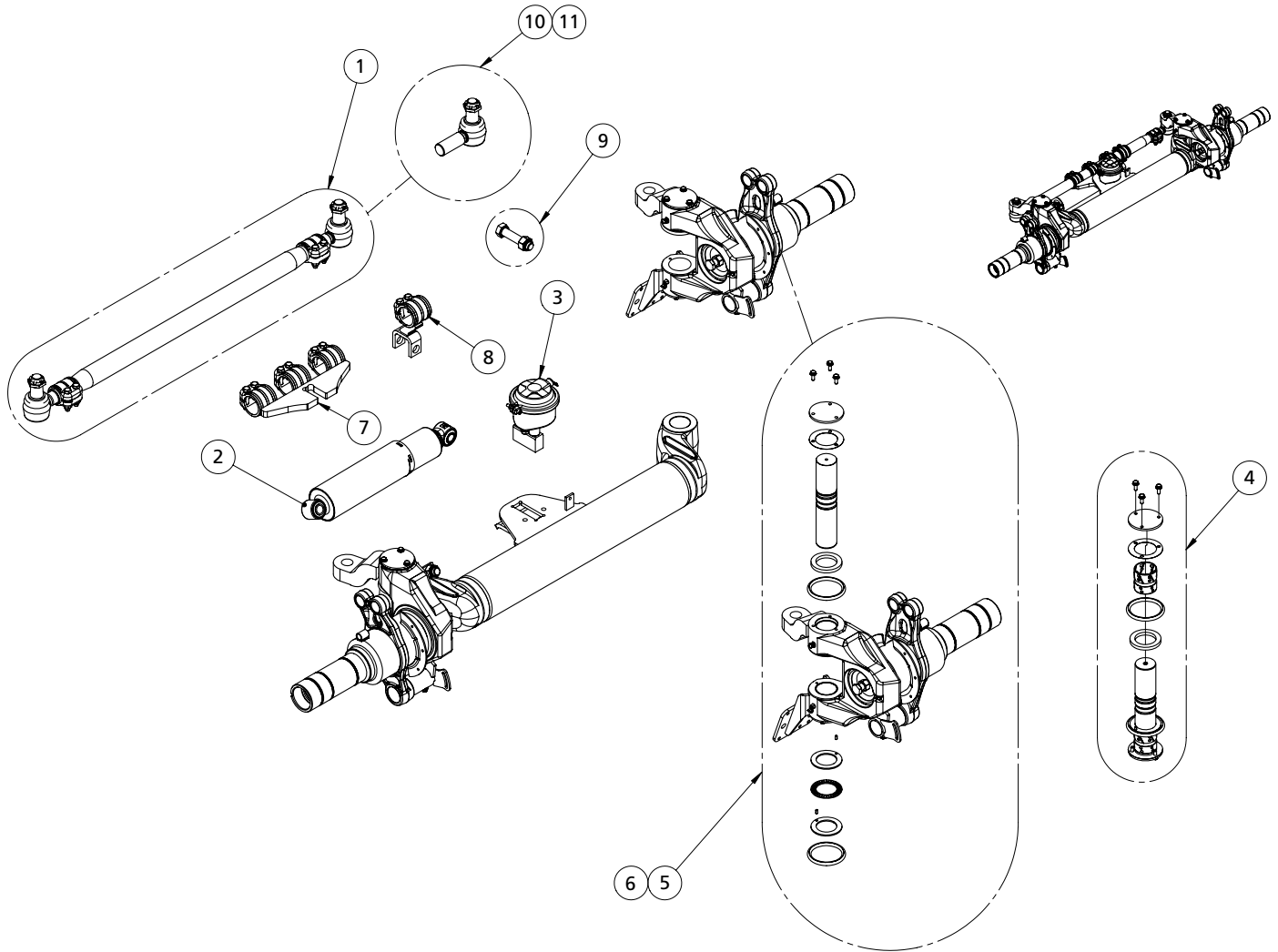
ITEM	DESCRIPTION	PART NO.	QTY
1	TIEROD ASSY. w/ TIEROD ENDS	03357021300	1
2	SHOCK ABSORBER STEERING STABILIZER	02376101301	1
3	12 TYPE SERVICE LOCKOUT CHAMBER	03454112500	1
4	KINGPIN REPAIR KIT	03434365700	2
5	FORK ASSEMBLY KIT - ROADSIDE (LEFT)	03222199900	1
6	FORK ASSEMBLY KIT - CURBSIDE (RIGHT)	03222200000	1
7	BACK UP LOCK	02193003901	1
8	STABILIZER TIEROD CLAMP	03194301900	1
9	BOLT AND NUT - M 24 x 110	03341002319	2
10	TIEROD END - LH	02205000300	1
11	TIEROD END - RH	02205000400	1
	SSA CAMSHAFT BUSHING KIT (CAM NOT INCLUDED)	51830061	1

5.7 - Drum 85.4" 30 Deg Tierod Forward – 13506043200



ITEM	DESCRIPTION	PART NO.	QTY
1	TIEROD ASSY. w/ TIEROD ENDS	03357021200	1
2	SHOCK ABSORBER STEERING STABILIZER	02376101301	1
3	12 TYPE SERVICE LOCKOUT CHAMBER	03454112500	1
4	KINGPIN REPAIR KIT	03434365700	2
5	FORK ASSEMBLY KIT - ROADSIDE (LEFT)	03222199900	1
6	FORK ASSEMBLY KIT - CURBSIDE (RIGHT)	03222200000	1
7	BACK UP LOCK	02193003901	1
8	STABILIZER TIEROD CLAMP	03194301900	1
9	BOLT AND NUT - M 24 x 110	03341002319	2
10	TIEROD END - LH	02205000300	1
11	TIEROD END - RH	02205000400	1
	SSA CAMSHAFT BUSHING KIT (CAM NOT INCLUDED)	51830061	1

5.8 - Drum 87.1" 30 Deg Tierod Forward – 13506043100



ITEM	DESCRIPTION	PART NO.	QTY
1	TIEROD ASSY. w/ TIEROD ENDS	03357021300	1
2	SHOCK ABSORBER STEERING STABILIZER	02376101301	1
3	12 TYPE SERVICE LOCKOUT CHAMBER	03454112500	1
4	KINGPIN REPAIR KIT	03434365700	2
5	FORK ASSEMBLY KIT - ROADSIDE (LEFT)	03222199900	1
6	FORK ASSEMBLY KIT - CURBSIDE (RIGHT)	03222200000	1
7	BACK UP LOCK	02193003901	1
8	STABILIZER TIEROD CLAMP	03194301900	1
9	BOLT AND NUT - M 24 x 110	03341002319	2
10	TIEROD END - LH	02205000300	1
11	TIEROD END - RH	02205000400	1
	SSA CAMSHAFT BUSHING KIT (CAM NOT INCLUDED)	51830061	1





From fifth wheel rebuild kits to suspension bushing repair kits, SAF-HOLLAND Original Parts are the same quality components used in the original component assembly.

SAF-HOLLAND Original Parts are tested and designed to provide maximum performance and durability. Will-fits, look-alikes or, worse yet, counterfeit parts will only limit the performance potential and could possibly void SAF-HOLLAND's warranty. Always be sure to spec SAF-HOLLAND Original Parts when servicing your SAF-HOLLAND product.

SAF-HOLLAND USA • 888.396.6501 • Fax 800.356.3929
www.safholland.us

SAF-HOLLAND CANADA • 519.537.3494 • Fax 800.565.7753
WESTERN CANADA • 604.574.7491 • Fax 604.574.0244
www.safholland.ca

SAF-HOLLAND MEXICO • 52.55.5362.8743 • Fax 52.55.5362.8743
www.safholland.com.mx

info@safholland.com