



TIRE  **PILOT**
PLUS

SAF  **TIRE PILOT PLUS™**
PARTS MANUAL

PROVIDING OEM QUALITY REPAIR KITS AND
PARTS FOR SAF TIRE INFLATION SYSTEMS



TIRE PILOT PLUS SYSTEM SCHEMATIC

Sample System Layout for Tandem Axle, Dual Tire Configuration3

CONTROLS

Air Tank Plumbing Components4

Electrical (Low-Pressure Warning Light) Components4

 Warning light components

 Electrical harness

Regulator and Control Box Assemblies5

 Inflate-deflate control box assemblies

 Regulator and control box settings

PLUMBING

1/4" Air Line Tee5

1-Hole Breather Assembly5

WHEEL-ENDS

Hubcap Assemblies6

Rotating Shafts6

 1.75" spindle i.d. (taper spindle and certain parallel spindle screw-on hub) applications

 2.75" spindle i.d. (parallel spindle) applications

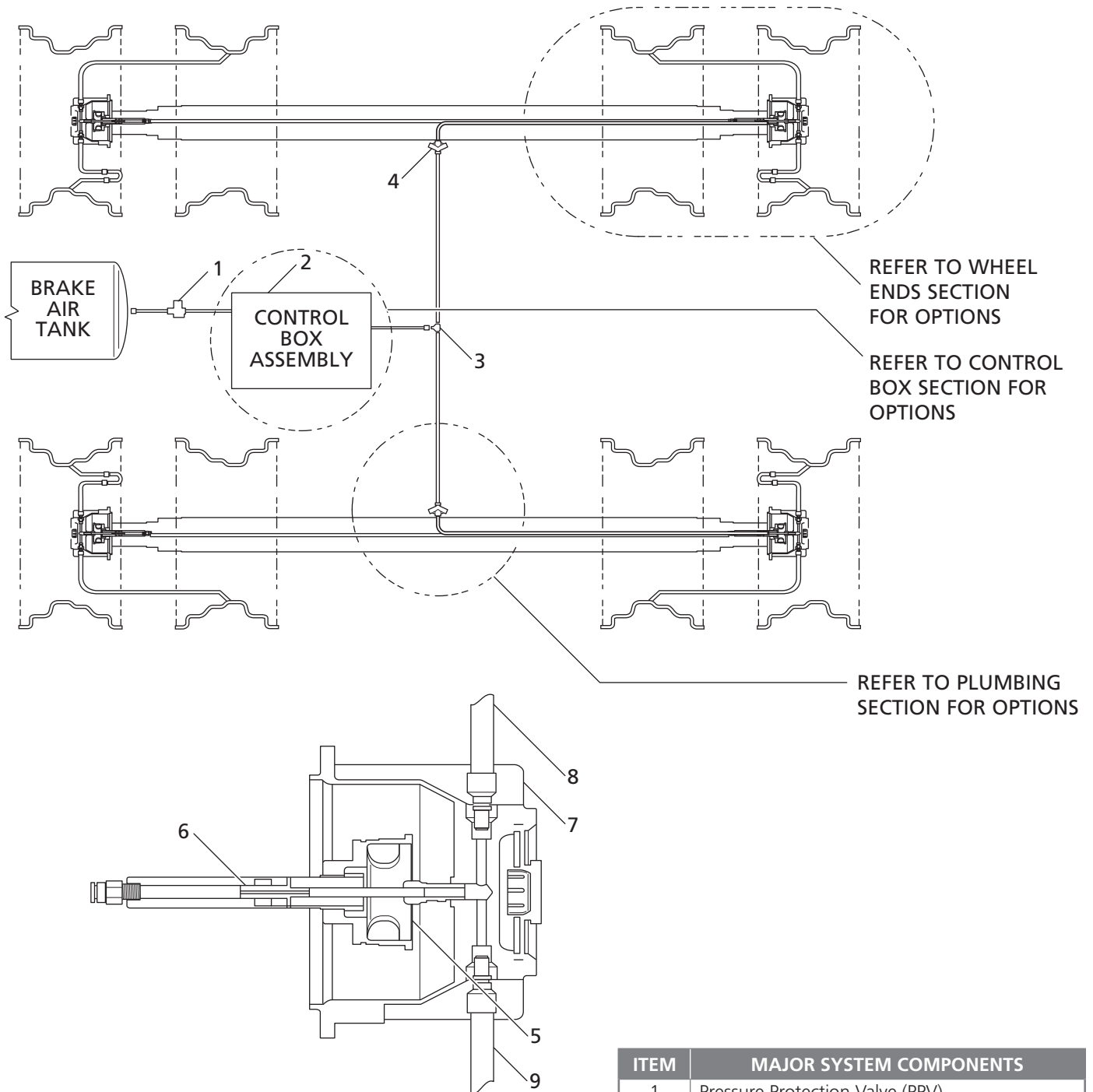
Tire Hoses.7

Spindle Plug Assemblies7

 1.75" spindle i.d. (taper spindle) applications

 2.75" spindle i.d. (parallel spindle) applications - OIL LUBE

Tandem Axle Dual Tire 1-Hole Axle Drilling



ITEM	MAJOR SYSTEM COMPONENTS
1	Pressure Protection Valve (PPV)
2	Control Box Assembly (Refer to Controls)
3	Air Line Tee Fitting
4	Breather Vent Assembly
5	Spindle Plug Assembly (Refer to Wheel-Ends)
6	Rotating Shaft Assembly (Refer to Wheel-Ends)
7	Hubcap Assembly (Refer to Wheel-Ends)
8	Inner Tire Hose Assembly (Refer to Wheel-Ends)
9	Outer Tire Hose Assembly (Refer to Wheel-Ends)

Air Tank Plumbing Components



2116300000320 - AIR TANK PLUMBING KIT WITH PPV + HARDWARE CONNECTIONS

Electrical (Low-Pressure Warning Light) Components



2116100000970 - LED WARNING LIGHT (Light Only)



2116100001000 - LED WARNING LIGHT (Bracket Only)

Electrical Harness



2116300000310 - ELECTRICAL HARNESS FOR ABS POWER

Pre-assembled harness for connection to trailer ABS power, terminals mounted: .180 bullet connectors at low-pressure warning light, Delphi connector at trailer ABS power, Delphi connector at control box, male, no cutting/splicing

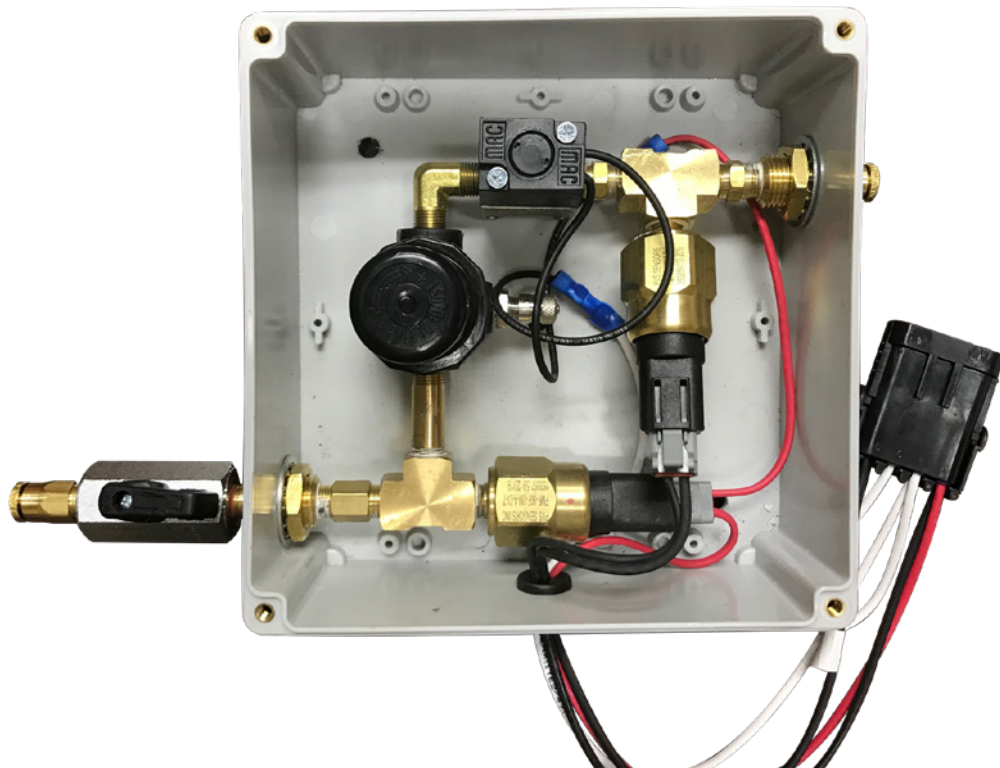
21' length from control box to ABS power connection, 66' length from control box to warning light



2116100000990 - ABS POWER ADAPTER

Connects Tire Pilot Plus electrical harness to ABS

Regulator & Control Box Assemblies



PART NUMBER	REGULATOR SETTINGS
2116300000500	120
2116300000490	115
2116300000480	105
2116300000470	95
2116300000460	85
2116300000420	110
2116300000410	100
2116300000400	90
2116300000330	80

Plumbing

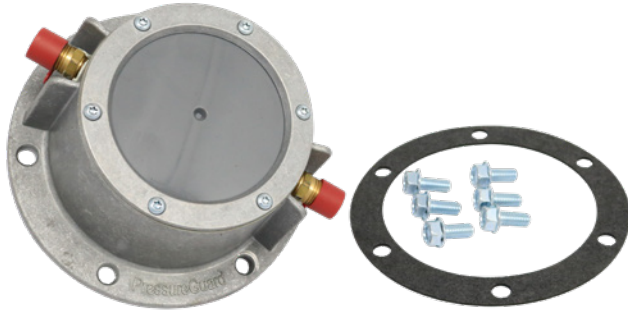


2116300000540 - 1/4" AIR LINE TEE

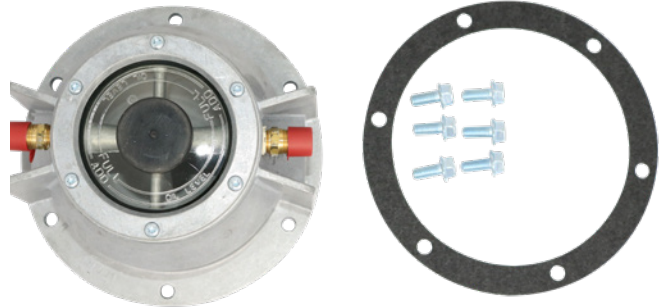


2116300000660 - 1-HOLE BREATHER ASSEMBLY

Hubcap Assemblies



2047300000390 - TAPER GREASE



2047300000440 - PARALLEL OIL

PART NUMBER	HUBCAP ASSEMBLY	ROTATING SHAFT	SPINDLE	TIRES	LUBE
2047300000390	2047300000480	2116300000380	TAPER	DUAL	GREASE
2047300000400	2047300000490	2116300000380	TAPER	DUAL	OIL
2047300000410	2047300000480	2116300000380	TAPER	SINGLE	GREASE
2047300000420	2047300000490	2116300000380	TAPER	SINGLE	OIL
2047300000430	2047300000500	2116300000390	PARALLEL	DUAL	GREASE
2047300000440	2047300000510	2116300000390	PARALLEL	DUAL	OIL
2047300000450	2047300000500	2116300000390	PARALLEL	SINGLE	GREASE
2047300000460	2047300000510	2116300000390	PARALLEL	SINGLE	OIL

Rotating Shaft Assemblies



2116300000380 - ROTATING SHAFT ASSEMBLY

5" OAL for all integral hubcap applications with **taper** spindle axles and certain rotating and screw-on applications with **parallel** spindle axles



2116300000390 - ROTATING SHAFT ASSEMBLY

6" OAL for all integral hubcap applications with **parallel** spindle axles

Tire Hoses



2116300000370 - **OUTER** TIRE HOSE FOR INTEGRAL HUBCAP, 22.5" DUAL TIRE 11.0" HOSE LENGTH (14.5" O.A.L.)

2116300000360 - **INNER** TIRE HOSE FOR INTEGRAL HUBCAP, 22.5" DUAL TIRE OR 22.5" SINGLE TIRE 14" HOSE LENGTH (17" O.A.L.)

Spindle Plug Assemblies



2116300000260 - **TAPER SINGLE INLET 1.75" SPINDLE PLUG ASSEMBLY**

For 3-hole axle drilling and **Roadside** 1-Hole axle drilling



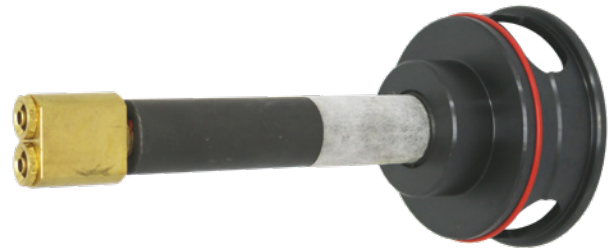
2116300000270 - **TAPER DUAL INLET 1.75" SPINDLE PLUG ASSEMBLY**

For **Curbside** 1-Hole axle drilling



2116300000290 - **PARALLEL SINGLE INLET 2.75" SPINDLE PLUG ASSEMBLY**

For oil lube, 3-Hole axle drilling and **Roadside** 1-Hole axle drilling



2116300000280 - **PARALLEL DUAL INLET 2.75" SPINDLE PLUG ASSEMBLY**

For oil lube, **Curbside** 1-Hole axle drilling

NOTE: Typically, dual inlet spindle plugs are installed Curbside and single inlet spindle plugs are installed roadside. Be sure to verify which spindle plug assembly is required before ordering as this may differ depending on where the Tire Pilot Plus tire inflation system was installed.

NOTE: One single inlet and one dual Inlet spindle plug assembly will be required for each axle with 1-hole drilling.



TRAILER AXLES AND
SUSPENSION SYSTEMS



COUPLING AND
LIFTING SYSTEMS



SUSPENSIONS FOR
TRUCKS AND BUSES



SUSPENSIONS AND
AXLE SYSTEMS



V. ORLANDI
TOWING
SYSTEMS



TRAILER AXLES/SUSPENSIONS,
COUPLING AND LIFTING
SYSTEMS

safholland.com

SAF-HOLLAND, Inc.
800.876.3929

SAF-HOLLAND Canada Limited
519.537.3494
Western Canada 604.574.7491

SAF-HOLLAND Mexico
52.55.5456.8641