

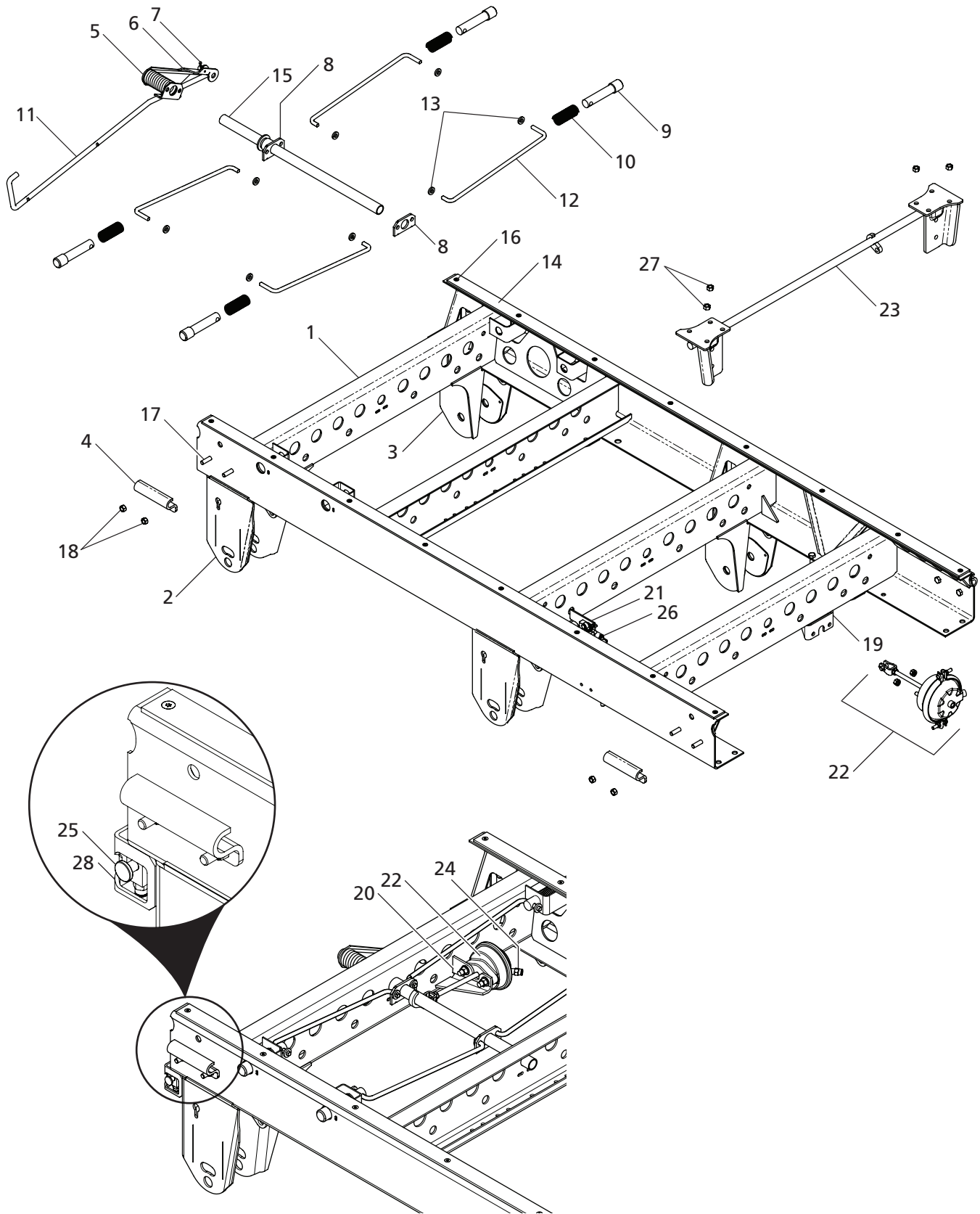


SAF ●

CBXA40 SERVICE PARTS

CBXA40 AEROBEAM SLIDER AIR SUSPENSION/AXLE SYSTEM
OEM QUALITY REPAIR KITS AND PARTS

CBXA40 AeroBeam Slider Box Exploded View



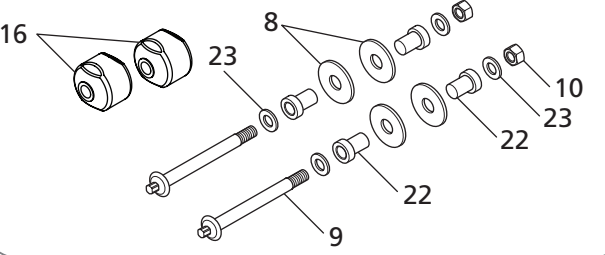
ITEM	DESCRIPTION	PART NUMBER	QTY. / AXLE	WEIGHT LBS. [KG]
1	Slider System	Contact SAF-HOLLAND	1	N/A
2	Frame Bracket, Swing Align - LH	90027002	2	16.28 [7.38]
3	Frame Bracket, Fixed - RH	90618226	2	19.40 [8.80]
4	Hold Down Bracket	90015150	4	2.30 [1.04]
5	Torsion Cam	SL0A1277-01	1	7.23 [3.28]
6	Washer, 0.41" I.D. x 0.81" O.D.	XB-PW-016-08	1	0.03 [0.01]
7	Cotter Pin .016" x 1.50"	XB-CTP-014-59	1	0.01 [0.00]
8	Cam Plate	SL0A1274	2	0.37 [0.17]
9	Pin, Lock (Binkley/TTMA)	SL0A1238	4	1.92 [0.87]
	Pin, Lock (Hutch)	SL0A1261	4	2.15 [0.98]
10	Spring, Compression	XB-SPG-020-35	4	0.25 [0.11]
11	Arm, Pull - 42" 34.25"	SL0A1445-02	1	3.56 [1.61]
	Arm, Pull - 48" 37.25	SL0A1445-01	1	3.79 [1.72]
	Arm, Pull - 54" 40.25"	SL0A1445-03	1	4.21 [1.91]
12	Arm, Linkage - 42"	See Chart #1	4	N/A
	Arm, Linkage - 48"	See Chart #1	4	N/A
	Arm, Linkage - 54"	See Chart #1	4	N/A
13	Washer, Flat 0.19" I.D. x 0.52 O.D.	XB-PW-016-85	16	0.02 [0.01]
14	Block, Slide "Wear Pad"	XB-SL0A1054	2	1.58 [0.72]
15	Spacer, Tube 1.25"	SL0523-07	1	0.24 [0.11]
16	Screw .32" - 18 x 0.75" Flat HD	XB-STS-008-16	8	0.02 [0.01]
17	Cap Screw, Hex HD 0.50" - 13 x 1.75" Long GR 5	XB-HHC-001-33	8	0.11 [0.05]
18	Nut, Hex 0.50" - 13 GR B	XB-SLN-012-42	8	0.03 [0.01]
19	Bracket, Brake Chamber	SL0A1230	1	0.76 [0.34]
20	Bracket, Spring Brake	90026227	1	1.40 [0.64]
21	Bracket, HCV Mounting	90034541	1	0.60 [0.27]
22	Spring Brake Service Chamber for Pin Release	90548040	1	4.32 [1.96]
	Spring Brake Service Chamber for PosiLok	90548040	1	4.32 [1.96]
23	PosiLok Assembly - 16" Ride Height	90549628	1	28.00 [12.7]
	PosiLok Assembly - 16.5" Ride Height	90549629	1	28.60 [12.97]
	PosiLok Assembly - 17" & 18" Ride Height	90549630	1	29.10 [13.20]
24	Connector, Male PTC	93800329	1	0.01 [0.00]
25	Air Release Valve	90560012	1	0.81 [0.37]
26	Height Control Valve (See Page 7)	N/A	1	N/A
27	Nut, Hex 0.50" - 13 GR 8	XB-SLN-012-42	4	0.03 [0.01]
28	Bracket, Valve	SL0A1551	1	1.06 [0.48]

PIN CONFIGURATION (CHART #1)

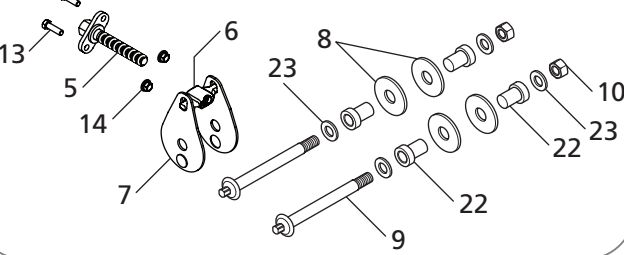
ITEM	PIN CONFIGURATION	SLIDE BOX WIDTH 42"			SLIDE BOX WIDTH 48"			SLIDE BOX WIDTH 54"		
		PART NUMBER	LENGTH	WEIGHT LBS. [KG]	PART NUMBER	LENGTH	WEIGHT LBS. [KG]	PART NUMBER	LENGTH	WEIGHT LBS. [KG]
12	Binkley Inside Shim	SL0A1417-42	14.84"	0.75 [0.34]	SL0A1417-48	17.84"	0.85 [0.38]	SL0A1417-54	20.84"	0.97 [0.43]
12	Binkley Outside Shim/Hutch	SL0A1550-01	14.93"	0.53 [0.24]	SL0A1550	17.96"	0.65 [0.29]	SL0A1550-02	20.96"	0.72 [0.32]

ITEM	DESCRIPTION	PART NUMBER	QTY. / AXLE	WEIGHT LBS. [KG]
1	Beam & Axle Assembly	Contact SAF-HOLLAND	1	N/A
2	Frame Bracket, Swing Align - LH	90027002	1	16.28 [7.38]
3	Frame Bracket, Fixed - RH	90618226	1	19.40 [8.79]
4	Shock - 16" Ride Height	90045298	2	4.91 [2.22]
	Shock - 16.5" & 17" Ride Height	90044162	2	4.85 [2.19]
	Shock - 18" Ride Height	90045040	2	5.19 [2.35]
5	Threaded Rod Assembly	90550387	1	2.34 [1.06]
6	Yoke, Swing Align	90045758	1	1.15 [0.52]
7	Plate, Alignment	90027004	2	1.50 [0.68]
8	Washer 1.14" I.D. x 3.50" O.D. GR8	93600553	4	0.46 [0.20]
9	E20 Head Spline Bolt, 7/8-9UNC 2A x 7.50"	2015100000160	2	1.60 [0.73]
10	Lock Nut, 7/8-9UNC	2061100000260	2	0.18 [0.08]
11	Bolt Hex 0.75" - 10 x 3.50 Long GR5	93006035	4	0.56 [0.25]
12	Nut, Hex 0.75" - 10 GR B	93400492	4	0.12 [0.05]
13	Screw, Hex Cap 0.50" - 13 1.75" Long GR 5 ZC	XB-HHC-001-33	2	0.11 [0.04]
14	Nut, Flange .50" - 13 GR B	93400623	2	0.05 [0.02]
15	Nut, Hex 0.75" - 16 GR B	93400149	2	0.12 [0.05]
16	Pivot Bushing	90008286	2	3.35 [1.51]
17	Air Spring Assembly - 16", 16.5" & 17" Ride Height	90557372	2	11.25 [5.10]
	Air Spring Assembly - 18" Ride Height	90557194	2	30.10 [13.60]
18	Washer, Lock 0.75"	93600077	2	0.04 [0.01]
19	Nut, Hex 0.50" - 13 GR B	93400136	2	0.04 [0.01]
20	Washer, Lock 0.53"	93600072	2	0.01 [0.00]
21	Air Spring Spacer - 0.63" 13.5" Ride Height (not shown)	90036274	2	1.65 [0.74]
	Air Spring Spacer - 1.22" 17" Ride Height (not shown)	90036275	2	3.25 [1.47]
	Air Spring Spacer - 0.25" 18" Ride Height (not shown)	90035024	2	5.50 [2.49]
22	Bolt Collar	2045100000020	4	0.28 [0.13]
23	Washer, 7/8" - TC	2082100000210	4	0.10 [0.05]

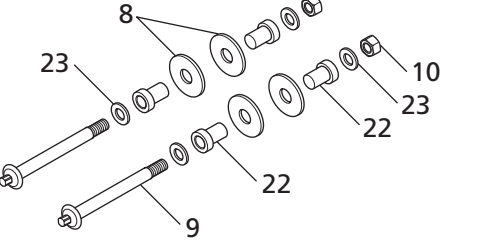
48100698
Pivot Bushing Repair Kit
 13.96 lbs [6.33 kg]



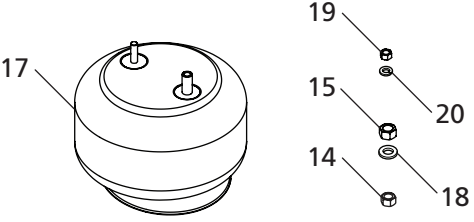
48100699
Swing Align Replacement Kit
 13.77 lbs [6.25 kg]



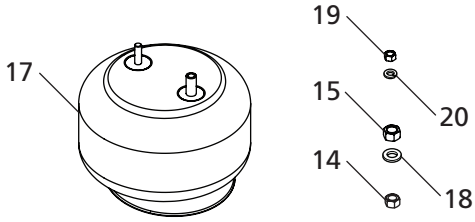
48100700
Pivot Connection Kit
 6.96 lbs [3.16 kg]



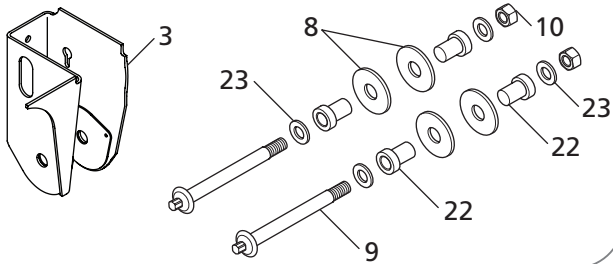
48100650
Air Spring Kit 16", 16.5" & 17" Ride Height
 17.50 lbs [7.94 kg]



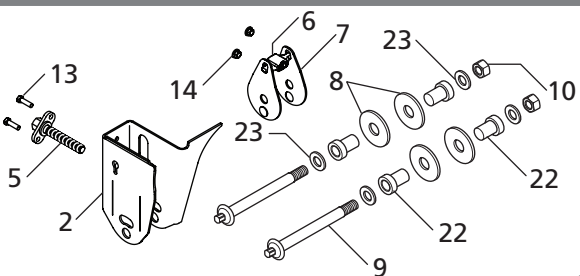
48100651
Air Spring Kit 18" Ride Height
 21.30 lbs [9.66 kg]



48100701
Fixed Frame Bracket -RH
 22.90 lbs [10.39 kg]



48100702
SwingAlign Frame Bracket - LH
 26.59 lbs [12.06 kg]



ITEM	DESCRIPTION	PART NUMBER	QTY. / AXLE	WEIGHT LBS. [KG]
2	Frame Bracket, Swing Align - LH	90027002	1	16.28 [7.38]
3	Frame Bracket, Fixed - RH	90618226	1	19.40 [8.79]
5	Threaded Rod Assembly	90550387	1	2.34 [1.06]
6	Yoke, Swing Align	90045758	1	1.15 [0.52]
7	Plate, Alignment	90027004	2	1.50 [0.68]
8	Washer 1.14" I.D. x 3.50" O.D. GR8	93600553	4	0.46 [0.20]
9	E20 Head Spline Bolt, 7/8-9UNC 2A x 7.50"	2015100000160	2	1.60 [0.73]
10	Lock Nut, 7/8-9UNC	2061100000260	2	0.18 [0.08]
13	Screw, Hex Cap 0.50" - 13 1.75" Long GR 5 ZC	XB-HHC-001-33	2	0.11 [0.04]
14	Nut, Flange .50" - 13 GR B	93400623	2	0.05 [0.02]
15	Nut, Hex 0.75" -16 GR B	93400149	2	0.12 [0.05]
16	Pivot Bushing	90008286	2	3.35 [1.51]
17	Air Spring Assembly - 16", 16.5" & 17" Ride Height	90557372	2	11.25 [5.10]
	Air Spring Assembly - 18" Ride Height	90557194	2	30.10 [13.60]
18	Washer, Lock 0.75"	93600077	2	0.04 [0.01]
19	Nut, Hex 0.50" - 13 GR B	93400136	2	0.04 [0.01]
20	Washer, Lock 0.53"	93600072	2	0.01 [0.00]
22	Bolt Collar	2045100000020	4	0.28 [0.13]
23	Washer, 7/8" - TC	2082100000210	4	0.10 [0.05]

Height Control Valve (HCV)

DESCRIPTION	PART NUMBER	WEIGHT LBS. [KG]
Max-Valve™ HCV - Non Dump	50860013	1.90 [0.86]
Max-Valve™ HCV - Pressure Dump	50860014	2.10 [0.95]
Max-Valve™ HCV - Zero Pressure Dump Normal Flow	50860015	2.00 [0.91]
Max-Valve™ HCV - Zero Pressure Dump Low Flow	50860016	2.00 [0.91]

NOTE: All valves are set up for 0.38" fittings.

NOTE: Do not use the high flow valve when the trailer is equipped with PosiLok™ System.



Adjustable Height Control Linkage

DESCRIPTION	PART NUMBER	WEIGHT LBS. [KG]
Adjustable Height Control Linkage Kit	50860006	2.00 [0.91]



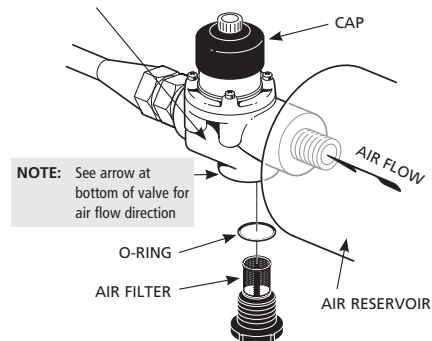
Pressure Protection Valve

DESCRIPTION	PART NUMBER	WEIGHT LBS. [KG]
Pressure Protection Valve	90560150	N/A
Optional Pressure Protection Valve	90554107	0.50 [0.23]



Optional Pressure Protection Valve

OPTIONAL PRESSURE PROTECTION VALVE





TRAILER AXLES AND
SUSPENSION SYSTEMS



COUPLING AND
LIFTING SYSTEMS



SUSPENSIONS FOR
TRUCKS AND BUSES



SUSPENSIONS AND
AXLE SYSTEMS



V. ORLANDI
TOWING
SYSTEMS



TRAILER AXLES/SUSPENSIONS,
COUPLING AND LIFTING
SYSTEMS

safholland.com

SAF-HOLLAND, Inc.
800.876.3929

SAF-HOLLAND Canada Limited
519.537.3494
Western Canada 604.574.7491

SAF-HOLLAND Mexico
52.55.5456.8641