

Service Bulletin

FWAL Series Fifth Wheels

Important Seasonal Preventative Maintenance for FWAL Fifth Wheels

April 2021

IMPORTANT: All maintenance **MUST** be performed by a trained technician using proper tools and safety procedures.

NOTE: In the United States, workshop safety requirements are defined by the federal and/or state Occupational Safety and Health Act (OSHA). Equivalent laws could exist in other countries. This manual is written based on the assumption that OSHA or other applicable employee safety regulations are followed by the location where work is performed.

IMPORTANT: All maintenance **MUST** be performed while the tractor is uncoupled from the trailer.

⚠ WARNING Failure to properly maintain the fifth wheel could result in tractor-trailer separation which, if not avoided, could result in death or serious injury.

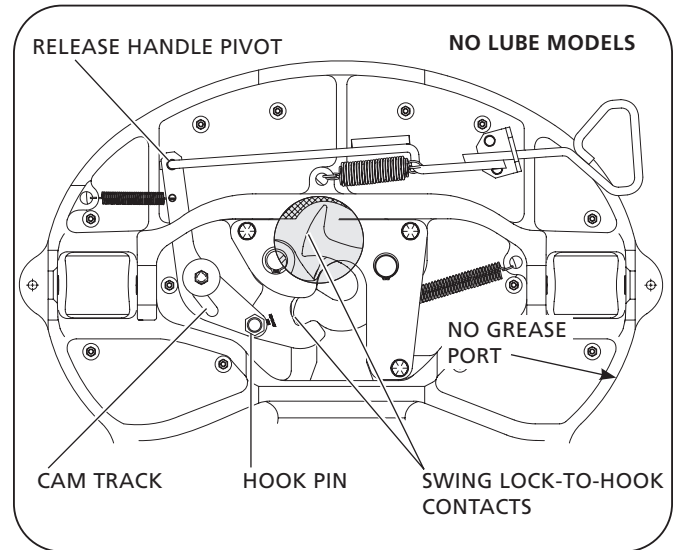
The two most important steps in eliminating fifth wheel operating difficulties are:

- Proper fifth wheel preventative maintenance
- Proper coupling inspection

Proper FWAL Fifth Wheel Preventative Maintenance

Earlier models of FWAL fifth wheels (**Figure 1**) are equipped with NoLube™ lock coating technology and can be identified by the lack of a grease port on the left pickup ramp. The lock components are protected with a low-friction coating which provides long wear life and corrosion protection, eliminating the need for routine lubrication. However, if your fifth wheel operates in snowy or icy winter conditions, maintenance should be performed every spring to ensure optimum operation. FWAL fifth wheels that are exposed to harsh and dry chemicals and/or road salt should be steam cleaned and lubricated as follows:

Figure 1



1. Using a water-resistant lithium-based grease, lubricate the swing lock-to-hook contact areas and cam track (**Figure 1**).
2. Using a light oil, lubricate the hook pin and release handle pivot (**Figure 1**).

The locking mechanism of a new FWAL fifth wheel assembly has a thin layer of grease applied by SAF-HOLLAND® to aid the components for an initial "break-in" period.

NOTE: Grease will not adversely affect an FWAL NoLube fifth wheel.

FWAL fifth wheel models produced after April 2018 (**Figures 2 and 3**) are equipped with a grease port located on the left pickup ramp and should be steam cleaned and lubricated as follows:

- Lubricate the locking mechanism every three (3) months or 30,000 miles.
- Thoroughly clean the locking mechanism every six (6) months or 60,000 miles.

IMPORTANT: For fifth wheels that operate in snowy or icy winter conditions, lubrication should be performed every spring in addition to routine lubrication (as noted above) to ensure optimum operation.

1. Using a water-resistant lithium-based grease, lubricate the swing lock-to-hook contact areas and cam track (**Figure 2**). Apply lubrication to the swing lock using the grease zerk located on the left fifth wheel pickup ramp (**Figure 3**).
2. Using a light oil, lubricate the hook pin and release handle pivot (**Figure 2**).

Proper Coupling Inspection

A visual inspection, which is required by law as part of the pre-trip inspection, is the best way to ensure proper coupling.

Exit the cab and visually inspect for the following to ensure that the lock is closed (**Figure 4**):

- a. Release handle fully retracted with the lock notch behind the handle window bracket or the rib window of the top plate.
- b. No gap is permissible between the trailer upper coupler plate and the fifth wheel.
- c. Lock securely closed around the kingpin.
- d. Lock retainer (hook) securing lock.

Refer to Document No. XL-FW10049UM-en-US, available on the internet at www.safholland.us, for complete FWAL operating and maintenance procedures. For any other service need, please contact your local HOLLAND® representative. (Customer Service phone/fax numbers are listed below.)

Figure 2

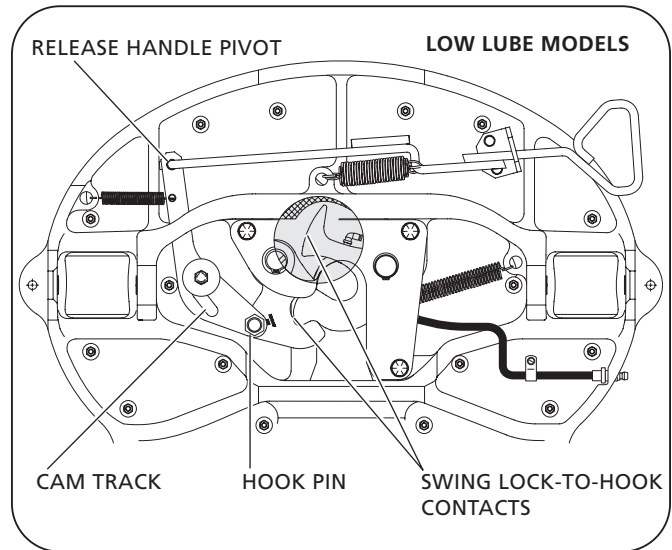


Figure 3

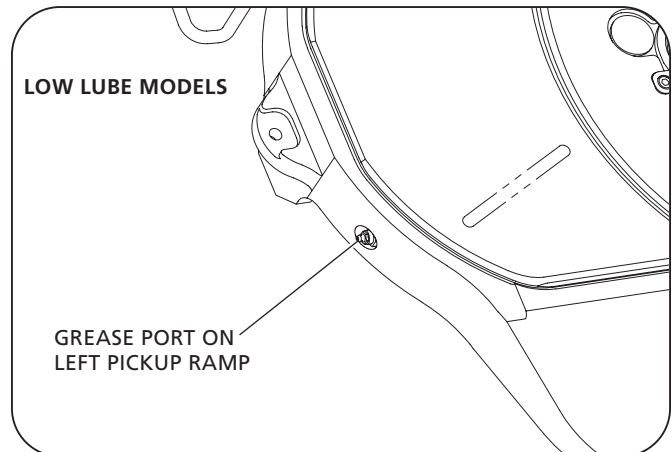


Figure 4

