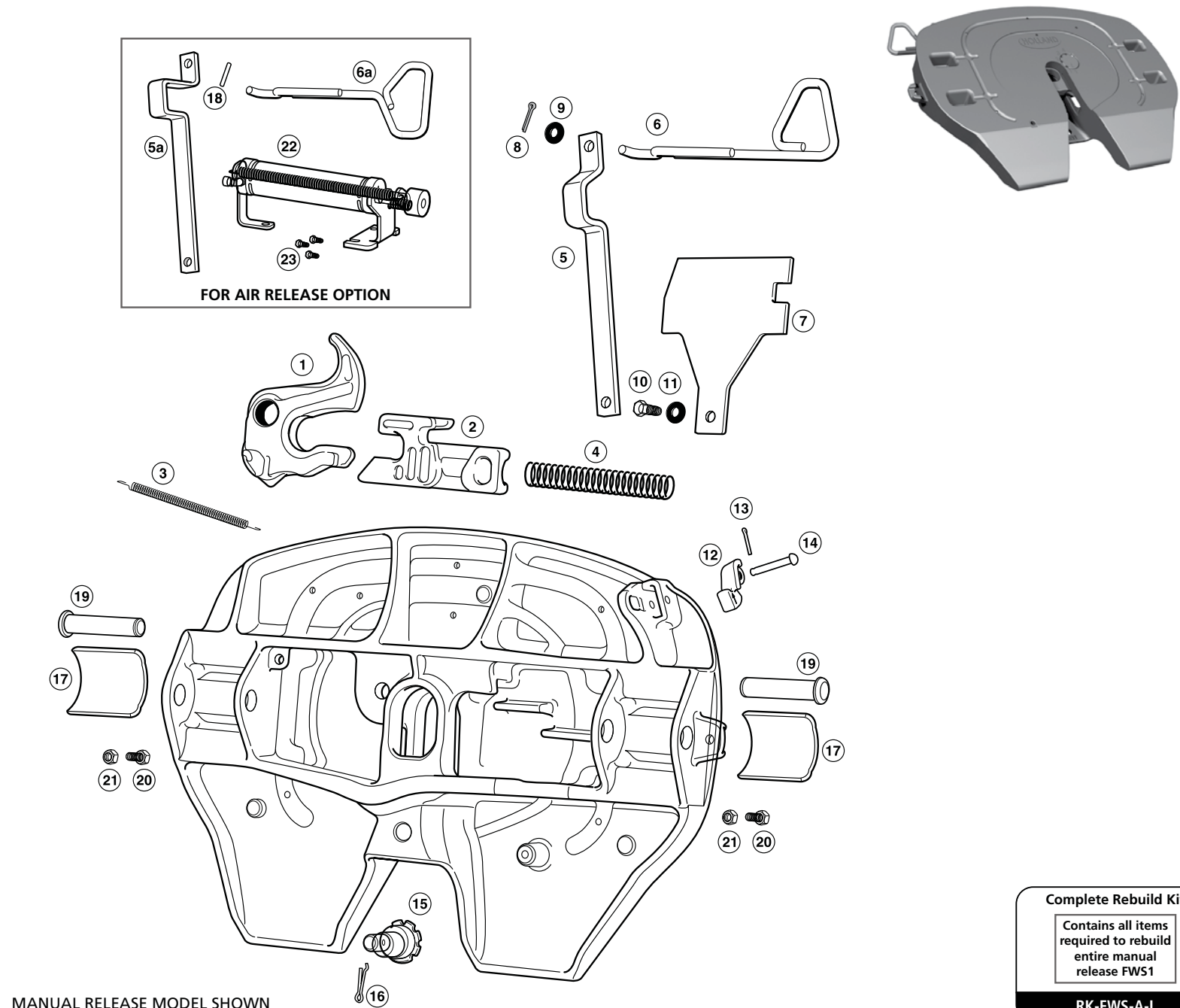


HOLLAND FWS1, SIMPLEX SE & SIMPLEX LITE FIFTH WHEELS



Holland FWS1 Series Parts List



MANUAL RELEASE MODEL SHOWN

ITEM	DESCRIPTION	PART NO.	ITEM	DESCRIPTION	PART NO.
1	Jaw	XA-4109939	12	Lock Indicator	XD-11121
2	Lock	4109931	13	Cotter Pin 1/8" x 1-1/4"	84261
3	Jaw Return Spring	1200101	14	Indicator Pin	XB-10996
4	Lock Spring	1200706	15	Eccentric Jaw Pin	XA-10971
5	Lever Bar (Manual Pull)	4100373	16	Clinch Pin 3/16" x 1-1/4"	9900170
5a	Lever Bar (Air Release)	XA-11113	17	Pocket Insert (Qty 2)	RK-PKT-2
6	Handle (Manual Pull)	XA-10990	18	Roll Pin 3/16" x 1.15"	9900181
6a	Handle (Air Release)	XA-11112	19	Bracket Pin	XE-06356
7	Cover Plate	XA-10969	20	HHCS 1/2" - 20 x 1-1/4"	XB-C-95
8	Cotter Pin 3/16" x 1-1/4"	XB-11091	21	Locknut 1/2" - 20	XB-T-69-A
9	Washer 1/2"	XB-T-49	22	Air Cylinder	XA-10999
10	Hex Head Shoulder Bolt	XB-11127	23	HHCS 3/8" - 16 x 1/2"	XB-11027
11	Washer 5/8"	XB-T-199			

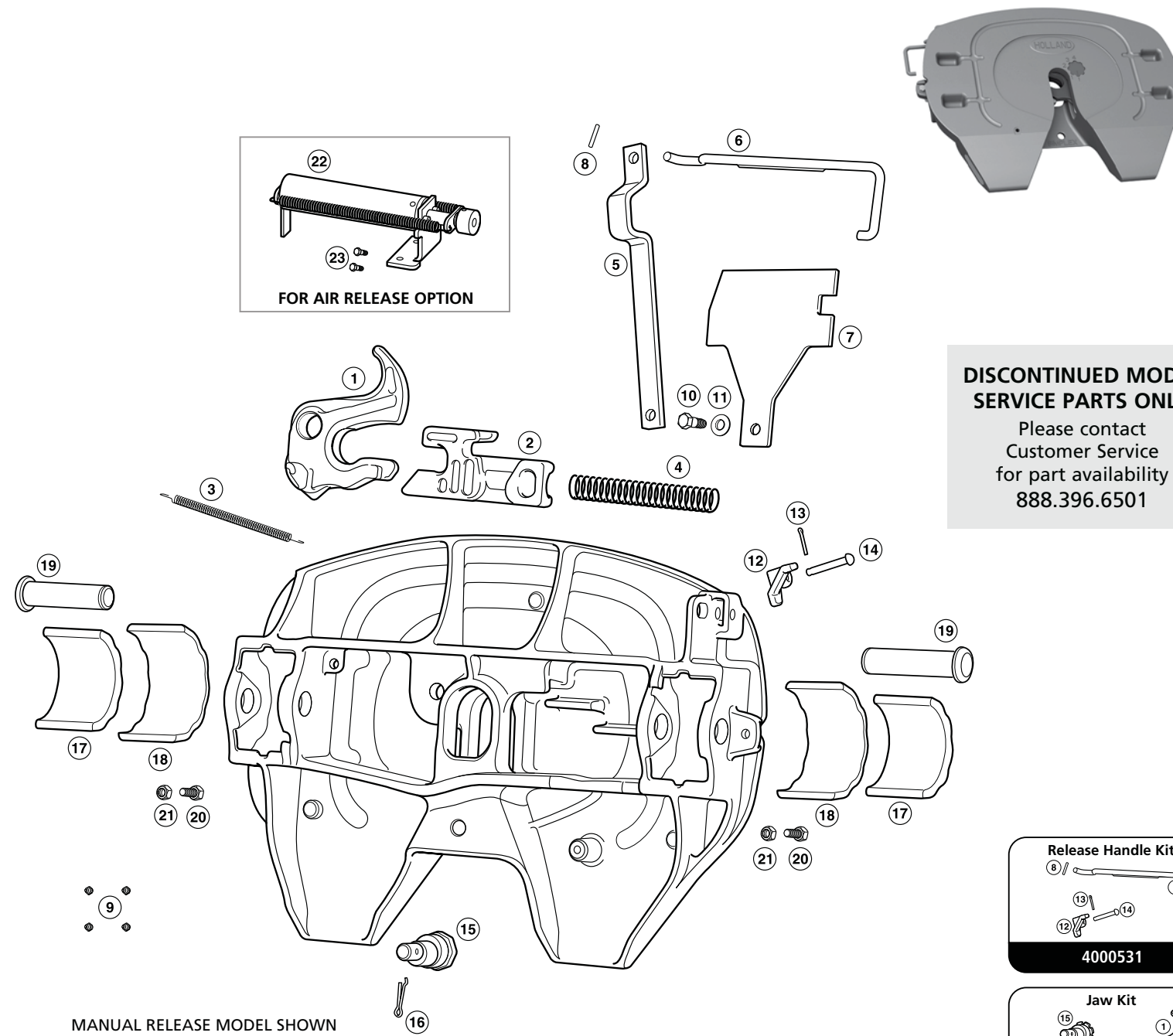
Complete Rebuild Kit
Contains all items required to rebuild entire manual release FWS1
RK-FWS-A-L

Release Handle Kit
RK-10990

Jaw Kit
RK-4109939

Air Cylinder Replacement Kit
RK-10999

Holland Simplex SE Series Parts List



MANUAL RELEASE MODEL SHOWN

ITEM	DESCRIPTION	PART NO.	ITEM	DESCRIPTION	PART NO.
1	Jaw	XA-4109939	15	Eccentric Jaw Pin	4109921
2	Lock	4109931	16	Clinch Pin 3/16" x 1-1/4"	9900170
3	Jaw Return Spring	1200101	17	.33" Bracket Insert (Qty 2)	4000640
4	Lock Spring	1200706		.38" Bracket Insert (Qty 2)	4000528
5	Lever Bar	4100373		.42" Bracket Insert (Qty 2)	4000587
6	Handle	4100420	18	Bracket Shoe	4100328
7	Cover Plate	XA-10969	19	Bracket Pin	5400705
8	Roll Pin	9900181	20	HHCS 1/2" - 20 x 1-1/4"	XB-C-95
9	Grease Fitting	84787	21	Locknut 1/2" - 20	XB-T-69-A
10	Hex Head Shoulder Bolt	XB-11127	22	Air Cylinder	4100423
11	Washer 5/8"	XB-T-199	23	HHCS 3/8" - 16 x 3/4"	9900182
12	Lock Indicator	4100294			
13	Cotter Pin 1/8" x 1-1/4"	84261			
14	Indicator Pin	5400711			

DISCONTINUED MODEL SERVICE PARTS ONLY
Please contact Customer Service for part availability
888.396.6501

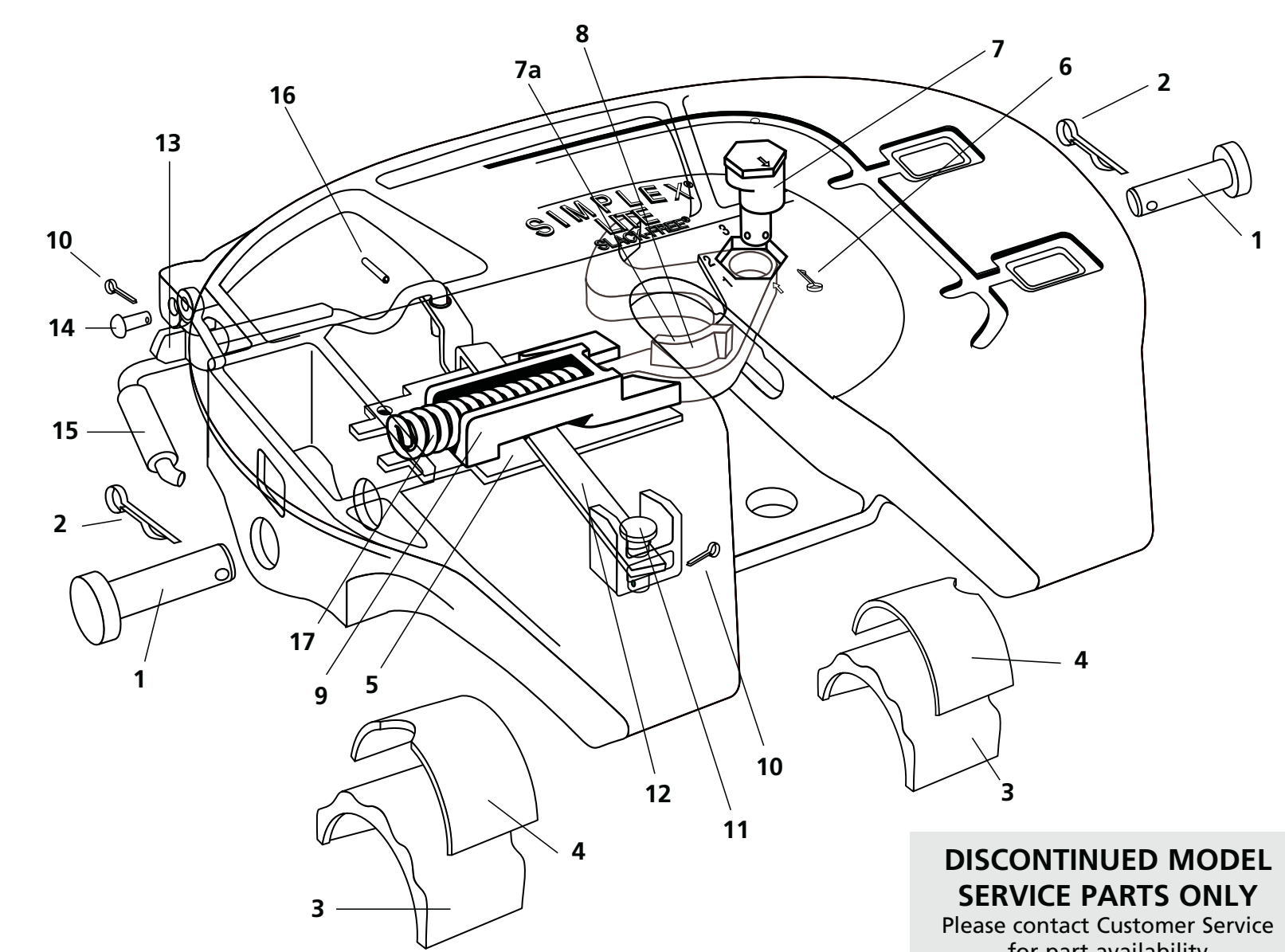
Release Handle Kit
4000531

Jaw Kit
4000644

Lock Kit
4000647

Bracket Connection Kit
4000641 (.33" Pads)
4000504 (.38" Pads)
4000588 (.42" Pads)

Simplex Lite Straight Pull Parts List



DISCONTINUED MODEL SERVICE PARTS ONLY
Please contact Customer Service for part availability
888.396.6501

ITEM NO.	DESCRIPTION	PART NO.	ITEM NO.	DESCRIPTION	PART NO.
1	Bracket Pins (2 required)	5400705	9	Lock	4109931
2	Clinch Pins for Bracket Pins (2 required)	9900169	10	Cotter Pin (2 required)	84261
3	Bracket Shoes (2 required)	4100328	11	Lever Bar Pin	4000250
4	Bracket Pads (2 required)	4100329	12	Lever Bar	4100373
5	Cover Plate	4100155	13	Safety Indicator	4101250
6	Clinch Pin for Jaw Pin	9900170	14	Safety Indicator Pin	5400711
7	Jaw Pin (standard)	4109916	15	Operating Rod	4100382
7a	Jaw Pin (oversize - not shown)	4109977	16	Slotted Spring Pin	9900181
8	Jaw*	4109935	17	Lock Spring	1200706

* Note: The current jaw 4109935, which replaces the previous design jaw 4109930, does not contain the lug "a" as pictured above.

REBUILD KITS		
KIT AVAILABLE	ITEMS INCLUDED IN KIT	PART NO.
Jaw Rebuild Kit	6, 7, 8	4000501
Jaw Rebuild Kit (oversize)	6, 7a, 8	4000502
Bracket Pad Kit	4	4000528



800.876.3929
www.safholland.us

