



HOLLAND® Fifth Wheels

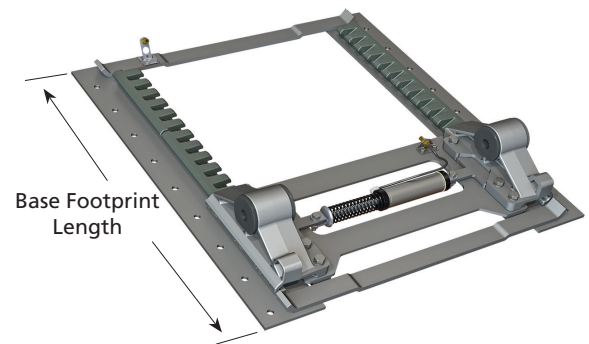
Market Notification for Upcoming Fifth Wheel Product Changes

ILS Fifth Wheel Slider Mounting System

Starting in the 3rd Quarter of 2021, (July through September) the "A" and "F" style outboard ILS will be replaced with the "J" outboard ILS. This change is being done to standardize on the ILS offerings and reduce complexity and part numbers.

- The "J" ILS has a 2.5 inch longer base footprint length than the "A" and "F".
- These changes apply to the FW17, FW35, FW33, FW31, and FWAL fifth wheels.
- This transition will have no impact on ILS functionality.
- All existing capacities and applications remain unchanged
- To convert from an "A" or "F" ILS to the new "J", simply replace the "A" or "F" in the part number with "J".
- Example: FW35A724XL00 becomes FW35J724XL00
- Actual product transition date dependent upon OEM customer implementation.

"A" and "F" Outboard ILS



"J" Outboard ILS

