



# FIFTH WHEEL

## IMPORTANT INFORMATION

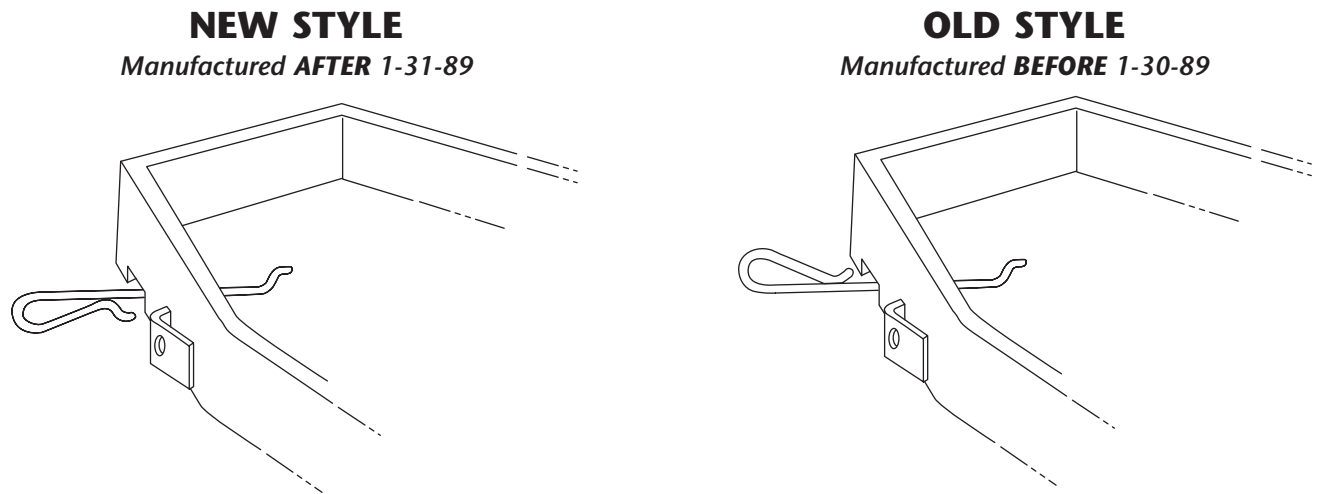


### Secondary Lock Handles for FW-2800, FW-2900, and FW-2870 Series

### Elevating Fifth Wheels

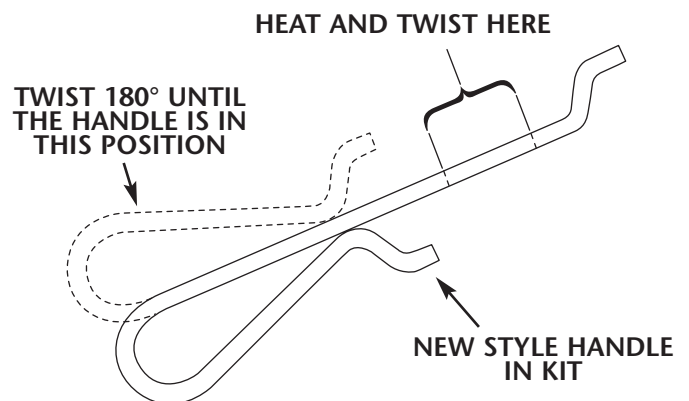
The orientation of the secondary lock handle has been changed to improve the fifth wheel articulation (see **FIGURE 1**). This change occurred on all fifth wheels manufactured **AFTER** January 30, 1989.

**FIGURE 1**



**FIGURE 2**

This rebuild kit contains the new handle. If you are rebuilding a fifth wheel manufactured prior to January 31, 1989, you will either have to use the old handle if it is in good condition, or heat and bend the old handle 180, as shown in **FIGURE 2**.



**Holland USA, Inc. Facilities:**

Denmark, SC      Warrenton, MO  
Dumas, AR      Whitehouse Station, NJ  
Holland, MI      Wylie, TX  
Muskegon, MI

Ph: 888-396-6501      Fax: 800-356-3929

**Holland International, Inc.**

Holland, MI  
Phone: 616-396-6501  
Fax: 616-396-1511

**Holland Hitch of Canada, Ltd.**

Woodstock, Ontario • Canada  
Phone: 519-537-3494  
Fax: 800-565-7753

**Holland Equipment, Ltd.**

Norwich, Ontario • Canada  
Phone: 519-863-3414  
Fax: 519-863-2398

**Holland Hitch Western, Ltd.**

Surrey, British Columbia • Canada  
Phone: 604-574-7491  
Fax: 604-574-0244