

FIFTH WHEELS



RK-S10406 Handle Replacement Kit Instructions

For use only on FW35-S10406 and FW35-S10406-1 Holland Fifth Wheels

NOTE: The handle is 6" longer than standard.

PROCEDURE:

1. Remove existing release handle from the top plate by cutting or torching through the handle. Discard all release handle parts.
2. Insert the "L" shaped end of the new release handle (*ITEM 1*) through the cast slot on the top plate. Position the release handle so the "L" shaped leg on the end of the handle is facing up (toward the top of top plate.) (*SEE FIGURE 1.*)
3. Install a new 1/2" I.D. large washer (*ITEM 2*), a new handle spring (*ITEM 3*), and a new 1/2" I.D. small washer (*ITEM 4*) onto the release handle. Compress the spring using a 1/2" washer until the hole for the cotter pin is exposed. Install the 1/8" x 1 1/4" long new cotter pin (*ITEM 5*) into the hole in the middle of the handle, and spread the cotter pin. (*SEE FIGURE 2.*)
4. Insert the "L" shaped leg of the release handle up through the hole in the cam plate. (*SEE FIGURE 2.*)
5. Install a second 1/2" small washer (*ITEM 4*) onto the "L" shaped leg of the release handle. (*SEE FIGURE 2.*)
6. Install the 3/16" x 1 1/4" long new cotter pin (*ITEM 6*) through the hole in the end of the "L" shaped end of the release handle and spread cotter pin. (*SEE FIGURE 2.*)

FIGURE 1

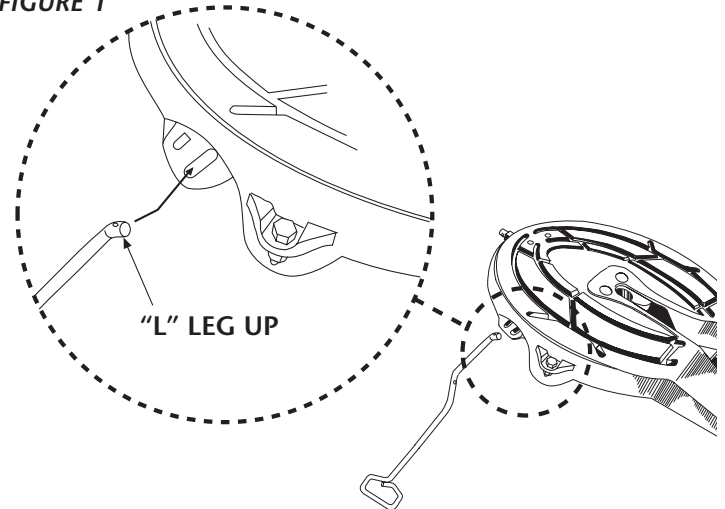
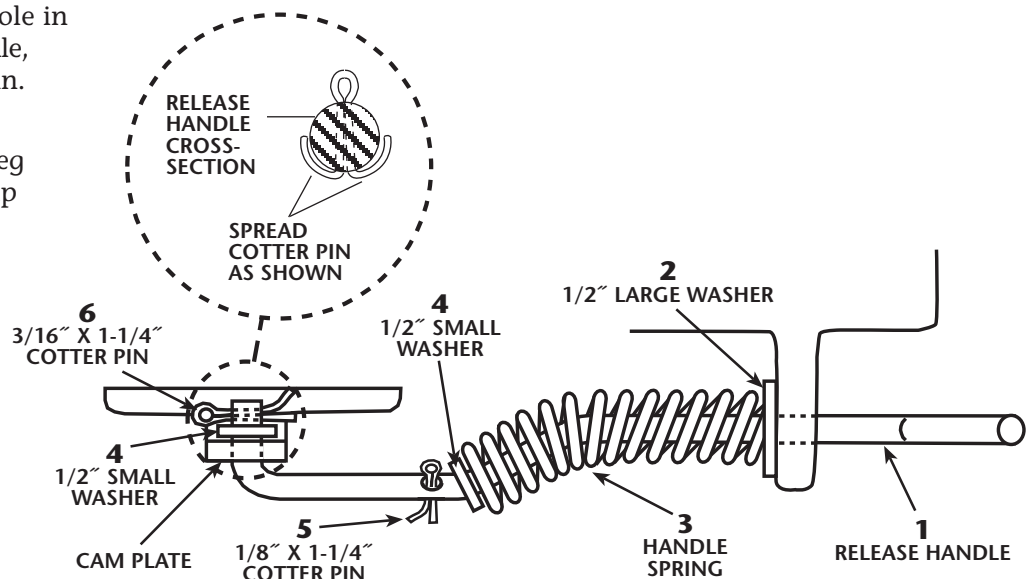
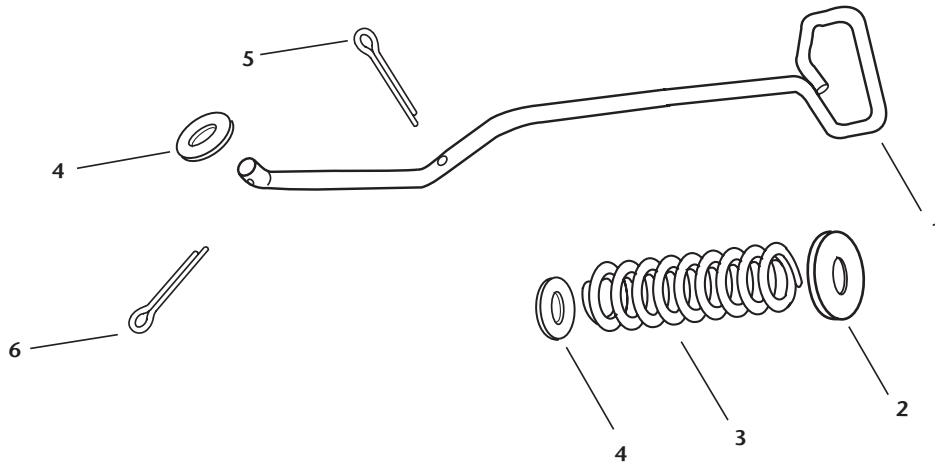


FIGURE 2



7. Check FW operation by locking and unlocking with Holland Lock Tester. (Refer to Holland Publication XL-FW306 for proper operation.)

RK-S10406 PARTS BREAKDOWN



KIT CONTENTS

Item	Description	Quantity	Part No.
1	Release Handle	1	XA-S10406
2	Large 1/2" I.D. Washer	1	XB-T-49
3	Spring	1	XB-07291
4	Small 1/2" I.D. Washer	2	XB-PW-1732-1-116
5	Cotter Pin 1/8" x 1 1/4"	1	XB-07508
6	Cotter Pin 3/16" x 1 1/4"	1	XB-06336



GO THE DISTANCE.

HOLLAND USA, INC.
 1950 Industrial Blvd. • P.O. Box 425 • Muskegon, MI 49443-0425
 Phone 888-396-6501 • Fax 800-356-3929
 www.thehollandgroupinc.com

Copyright © June 2002 • The Holland Group, Inc.

Holland USA, Inc. Facilities:

Denmark, SC Warrenton, MO
 Dumas, AR Whitehouse Station, NJ
 Holland, MI Wylie, TX
 Muskegon, MI

Ph: 888-396-6501 Fax: 800-356-3929

Holland International, Inc.

Holland, MI
 Phone: 616-396-6501
 Fax: 616-396-1511

Holland Hitch of Canada, Ltd.

Woodstock, Ontario • Canada
 Phone: 519-537-3494
 Fax: 800-565-7753

Holland Equipment, Ltd.

Norwich, Ontario • Canada
 Phone: 519-863-3414
 Fax: 519-863-2398

Holland Hitch Western, Ltd.

Surrey, British Columbia • Canada
 Phone: 604-574-7491
 Fax: 604-574-0244