

FIFTH WHEELS



RK-171-11079 Release Handle Replacement Kit Instructions

Replacement release handle for use on only FW17-Series Holland Fifth Wheels

PROCEDURE:

CAUTION Safety glasses or safety goggles must be worn when replacing the fifth wheel release handle. Failure to wear ANSI- or CSA-approved eye protection may result in damaged or broken glasses or goggles which, if not avoided, could result in serious eye injuries.

1. Carefully detach springs from loop on release handle. Remove existing release handle from the top plate by cutting through the handle near the release cam so the "S-bend" in the handle can be removed (**FIGURE 1**). Discard all release handle parts.
2. Insert the new release handle (**ITEM 1**) through the cast slot on the top plate. Position the release handle as shown in **FIGURE 2**.
3. Install the washer (**ITEM 2**) and cotter pin (**ITEM 3**) as shown in **FIGURE 2** to connect the new release handle to the release cam.
4. Spread the cotter pin legs.
5. Attach the new release handle springs (**ITEMS 4 and 5**) so that both spring openings face down when the fifth wheel is mounted on the truck (**FIGURE 3**).
6. Verify the proper operation of the fifth wheel by locking and unlocking the fifth wheel locks at least three times using a Holland Kingpin Lock Tester TF-TLN-5001 (refer to Holland Publication XL-FW340 for lock tester instructions).

WARNING Do not use any fifth wheel that fails to operate properly. Failure to properly couple tractor and trailer may result in tractor and trailer separation which, if not avoided, could result in death or serious injury.

FIGURE 1

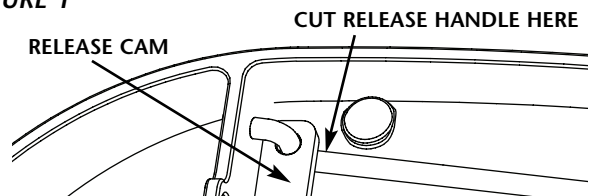


FIGURE 2

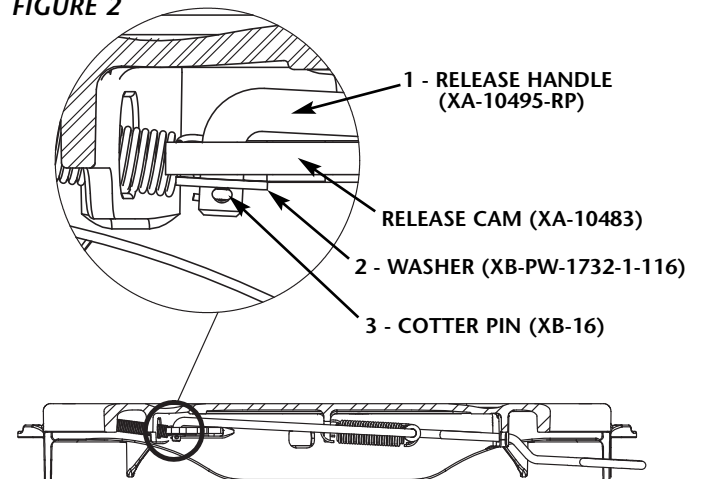
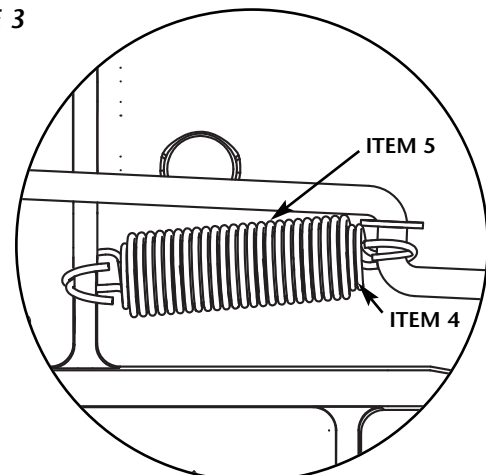
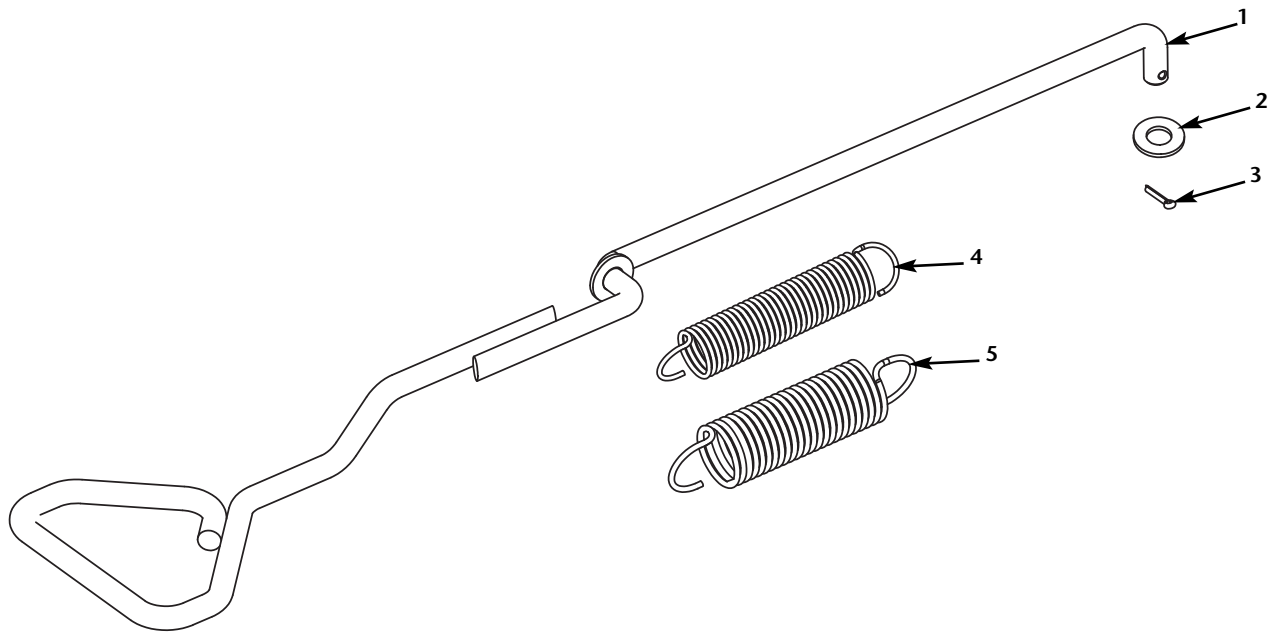


FIGURE 3



RK-171-11079 PARTS BREAKDOWN



KIT CONTENTS

Item	Description	Quantity	Part No.
1	Release Handle	1	XA-10495-RP
2	Washer, 1/2" SAE	1	XB-PW-1732-1-116
3	Cotter Pin	1	XB-16
4	Extension Spring, Inner	1	XB-10489
5	Extension Spring, Outer	1	XB-10490



GO THE DISTANCE.

www.thehollandgroupinc.com

Copyright © February 2007 • The Holland Group, Inc.

Holland USA, Inc. Facilities:

Dumas, AR Muskegon, MI
 Holland, MI Warrenton, MO
 Monroe, NC Wylie, TX

Ph: 888-396-6501 Fax: 800-356-3929

Holland International, Inc.

Holland, MI
 Phone: 616-396-6501
 Fax: 616-396-1511

Holland Hitch of Canada, Ltd.

Woodstock, Ontario • Canada
 Phone: 519-537-3494
 Fax: 800-565-7753

Holland Equipment, Ltd.

Norwich, Ontario • Canada
 Phone: 519-863-3414
 Fax: 519-863-2398

Holland Hitch Western, Ltd.

Surrey, British Columbia • Canada
 Phone: 604-574-7491
 Fax: 604-574-0244