



FIFTH WHEELS

FWAL Release Handle Removal and Replacement

RK-10495-AL-P Release Handle Replacement Kit Instructions

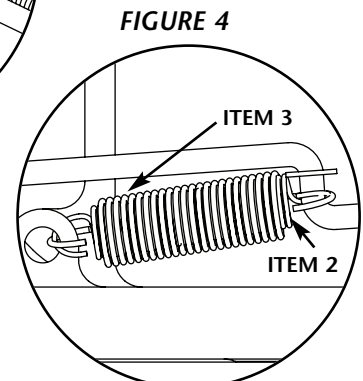
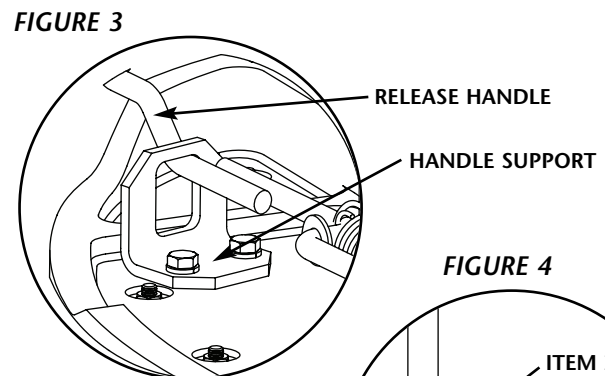
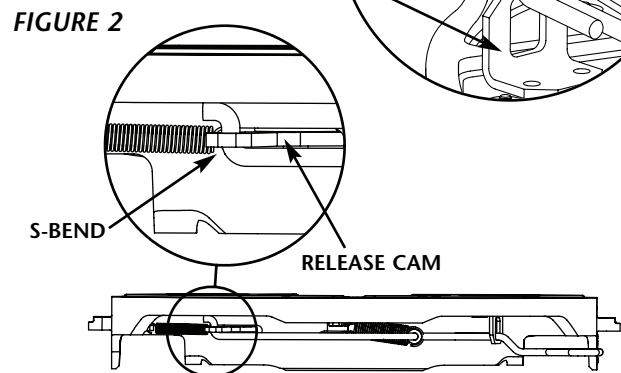
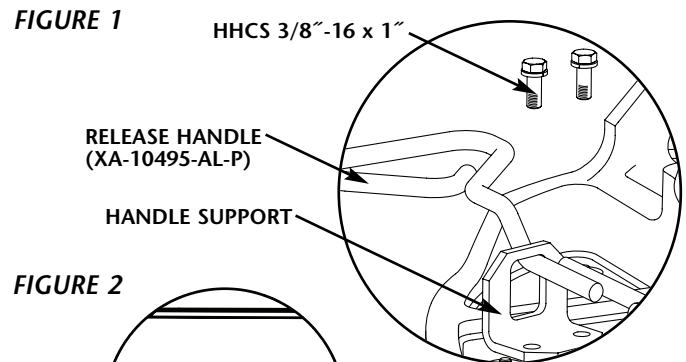
Replacement release handle for use on only
FWAL-Series Holland Fifth Wheels

PROCEDURE:

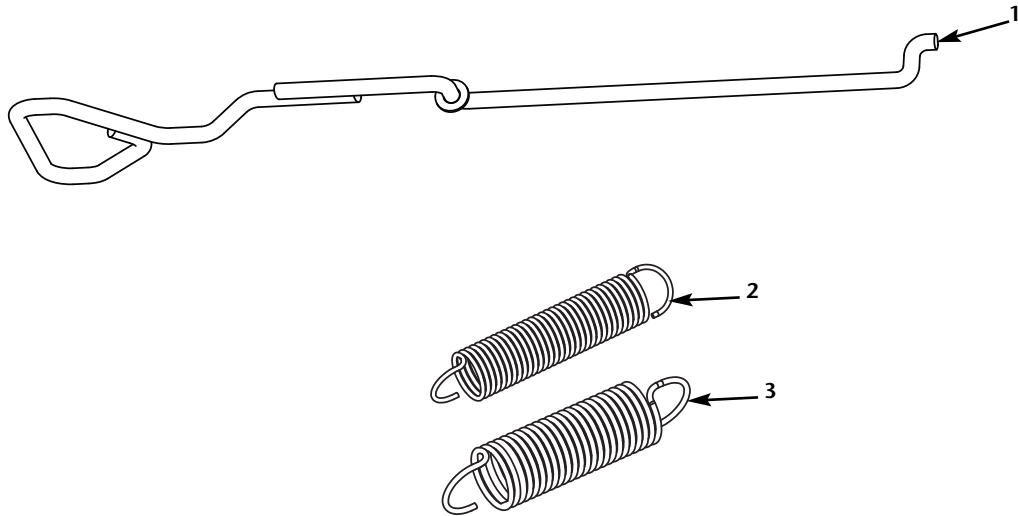
1. Carefully detach springs from bend on release handle. Remove existing release handle from the top plate by removing two Hex Head Cap Screws and lock washers from handle support (**FIGURE 1**), so the "S-bend" in the handle can be removed from the cam plate. Discard old release handle.
2. Insert the new release handle (**ITEM 1**) through the handle support window (**FIGURE 1**). Insert the "S-bend" on the handle through the hole in the cam plate and position handle as shown in **FIGURE 2**.
3. Position the handle support as shown in **FIGURE 3** and reinstall the Hex Head Cap Screws and lock washers. Tighten to 300 in. lbs. max.
4. Attach the new release handle springs (**ITEMS 2 and 3**) so that both spring openings face down when the fifth wheel is mounted on the truck (**FIGURE 4**).
5. Verify the proper operation of the fifth wheel by locking and unlocking the fifth wheel locks at least three times using a SAF-HOLLAND Kingpin Lock Tester TF-TLN-5001 (refer to SAF-HOLLAND Publication XL-FW340 for lock tester instructions).

IMPORTANT: DO NOT use any fifth wheel that fails to operate properly.

WARNING Failure to properly couple tractor and trailer may cause separation which, if not avoided, could result in death or serious injury.



RK-10495-AL-P PARTS BREAKDOWN



KIT CONTENTS

Item	Description	Quantity	Part No.
1	Release Handle	1	XA-10495-AL-P
2	Extension Spring, Inner	1	XB-10489-P
3	Extension Spring, Outer	1	XB-10490-P



SAF-HOLLAND USA, Inc.
888.396.6501 Fax 800.356.3929

SAF-HOLLAND Canada Limited
519.537.3494 Fax 800.565.7753
Western Canada
604.574.7491 Fax 604.574.0244

SAF-HOLLAND International, Inc.
616.396.6501 Fax 616.356.1511