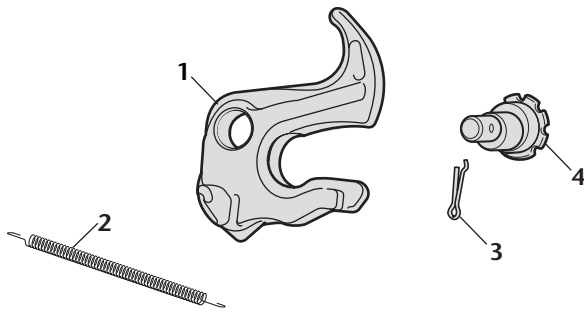




FIFTH WHEELS

FWS1/FWS2 JAW REPLACEMENT KIT

RK-4109939 Replacement Kit Jaw Removal and Replacement Procedures for Holland FWS1/FWS2 Fifth Wheels



IMPORTANT SAFETY INFORMATION

1. All fifth wheel maintenance must be performed by a qualified service technician using proper tools and safe procedures.
2. Use only SAF-HOLLAND Original Parts.
3. Wear safety goggles during disassembly and assembly of the fifth wheel.
4. Keep fingers away from all potential pinch points in the fifth wheel.
5. Do not weld on this product. Do not deviate from the instructions contained in this manual. Any changes or deviations from these procedures will void all warranties, express or implied, unless prior written consent is obtained from SAF-HOLLAND.
6. Always verify proper operation and adjust the fifth wheel following the procedures contained in this manual before placing back in use.

RK-4109939 FWS1/FWS2 Jaw Replacement Kit

ITEM	DESCRIPTION	PART NO.	QTY.
1	Jaw	XA-4109939	1
2	Jaw Return Spring	1200101	1
3	Clinch Pin	9900170	1
4	Eccentric Jaw Pin	XA-10971	1

IMPORTANT: Verify that the contents of this package are complete. If you are missing any items, please contact your dealer or distributor.

⚠ WARNING All of the required parts in this kit **MUST** be used. **DO NOT** substitute other or used parts. Improper part combinations can cause the product to couple improperly which, if not avoided, could result in death or serious injury.

IMPORTANT: **DO NOT** attempt repairing or rebuilding if the top plate is cracked or distorted or if the lock pins do not fit tightly in the top plate as the top plate may fail or the locks may malfunction.

⚠ WARNING Failure to use tight fitting lock pins in a properly functioning top plate may cause the locks to malfunction, causing a loss of vehicle control which, if not avoided, could result in death or serious injury.

⚠ WARNING Failure to replace a malfunctioning top plate may cause loss of vehicle control which, if not avoided, could result in death or serious injury.

JAW REMOVAL AND REPLACEMENT

NOTE: Jaw removal and replacement DOES NOT require removal of the fifth wheel from tractor.

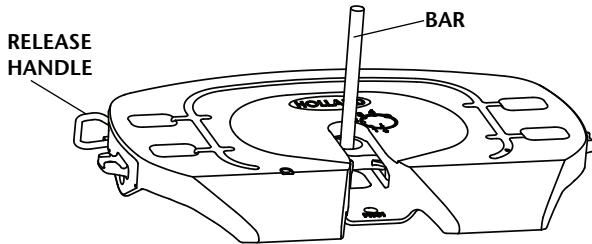
Disassembly

1. Lock the jaw mechanism using a bar or block (Figure 1).

IMPORTANT: Use a bar or block to rotate jaw when opening or closing the locking mechanism. When locking the jaw, stand clear of the release handle as it retracts rapidly during lockup.

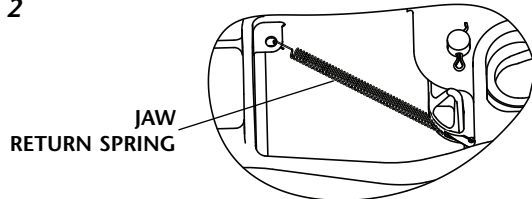
CAUTION Lock is spring-loaded. Prevent injury by keeping hands away from lock and jaw which, if not avoided, could result in serious injury to hands or fingers.

Figure 1



2. Remove the jaw return spring by unhooking it from jaw and casting tab (Figure 2).

Figure 2



3. Remove the clinch pin (Figure 3) and completely remove the eccentric jaw pin (Figure 4).

Figure 3

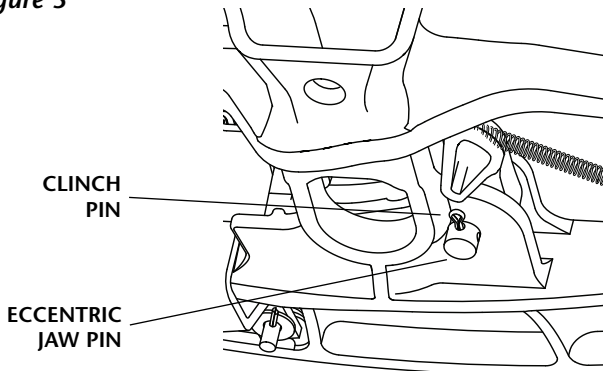
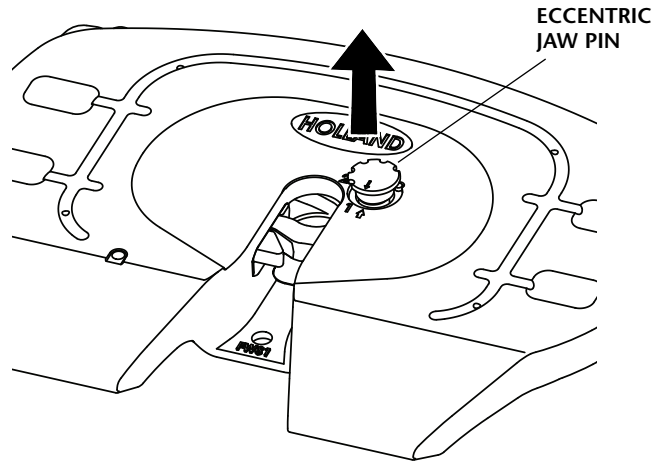
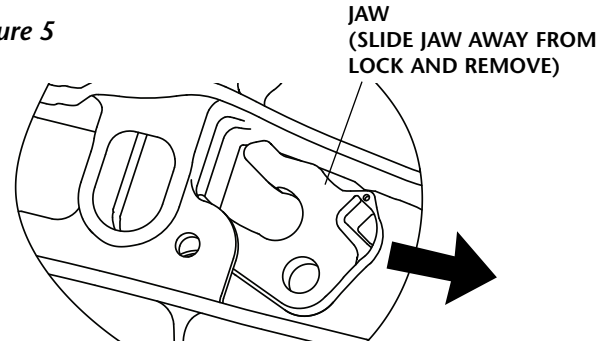


Figure 4



4. Slide the jaw away from the lock and remove from the underside of the fifth wheel plate casting (Figure 5).

Figure 5



Assembly

1. Clean and lubricate the fifth wheel plate jaw area and the new replacement jaw.
2. Reassemble the parts in the reverse order of disassembly. **NOTE:** Position the eccentric jaw pin with its arrow pointing to the arrow on the fifth wheel plate casting.
3. To ensure that the fifth wheel locks properly, perform the Required Inspections and Adjustments in the "FWS1/FWS2 Series Owner's Manual" (XL-FW525).

WARNING Failure to properly operate this fifth wheel may cause tractor and trailer separation which, if not avoided, could result in death or serious injury.

If the fifth wheel does not operate properly, **DO NOT** use it! Contact SAF-HOLLAND Technical Customer Service for assistance.

SAF-HOLLAND USA, Inc.
888.396.6501 Fax 800.356.3929

SAF-HOLLAND Canada Limited
519.537.3494 Fax 800.565.7753
Western Canada
604.574.7491 Fax 604.574.0244