



SAF-HOLLAND Group

# HOLLAND LANDING GEAR

GOOD – BETTER – BEST PROGRAM



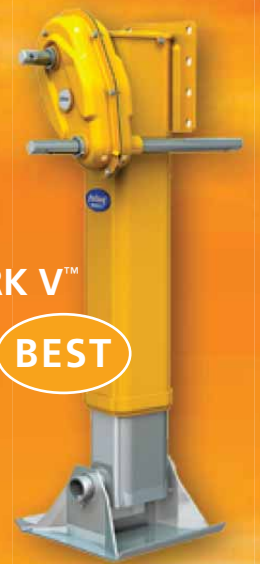
CLASSIC™

GOOD



ATLAS 55™

BETTER



MARK V™

BEST



With the Ultimate Corrosion Protection

OEM QUALITY WITH IMMEDIATE WAREHOUSE AVAILABILITY



# HOLLAND MARK V™ SERIES

## MARK V™ BEST

### SPECIFY IT, RELY ON IT.

This legendary landing gear will always deliver the strength, the ease of operation, and the durability needed to exceed the demands of any landing gear application. Still positioned as the best overall landing gear model, the HOLLAND MARK V is suitable for all standard and heavy duty applications. Unsurpassed features ensure that the MARK V delivers the absolute best in HOLLAND landing gear. In addition, a heavy duty version is also available for severe duty applications. Now standard with BLACK ARMOUR™ corrosion protection.

Three large in-line, heat treated, ductile iron spur gears for easy lifting and durable performance.



Self-lubricating powdered metal shaft bushings for increased service life.

Deep grease reservoir in the riser nut ensures constant lubrication of the elevating screw.

Large rolled 1-5/8" Acme double lead elevating screw for additional strength and a smooth lift.

#### MARK V CAPABILITIES

Lifting Capacity –Rated	
100 ft. lbs. Input Torque	62,500 lbs.
Load Capacity	200,000 lbs. *
Side Load Capacity	32,000 lbs.

#### CRANK TURNS PER INCH

Low Gear	33.8
High Gear	2.5

*All specified capacities are tested in accordance with AAR M-931.  
\* Rating is with self-leveler foot.*



# LANDING GEAR



SAF-HOLLAND Group



Unique wrap-around upper leg cover provides a tough seal that helps prevent water infiltration.

Gearbox with low-temperature premium lube rated for service from -65°F to 225°F.

Double-D crank handle connection means more stabilized cranking and stronger crank connection.

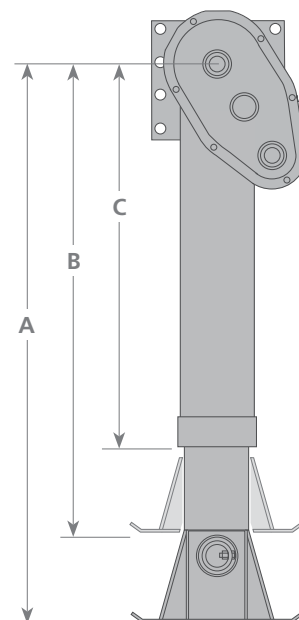


BLACK ARMOUR™ corrosion protection is standard.

Tough, 5 1/8" rounded-corner, square outer leg tubing.

Popular foot options:  
 - Standard Sandshoe  
 - Self-Leveling Foot

**5 YEAR**  
 PERFORMANCE  
 GUARANTEE



	MARK V DIMENSIONS	SET PART NO.	EXTENDED LENGTH (A)	RETRACTED LENGTH (B)	UPPER LEG (C)
	<b>4.5" SANDSHOE</b>				
	17" Travel (16.87")	LGS-3A105	48.62"	32.10"	26.00"
	19" Travel (18.67")	LGS-5A105	53.10"	34.40"	28.20"
	<b>SELF-LEVELER</b>				
	17" Travel (16.87")	LGS-3A001	47.30"	30.80"	26.00"
	19" Travel (18.67")	LGS-5A001	51.80"	33.10"	28.20"



# ATLAS 55™ BETTER

## COMBINES LIGHTWEIGHT WITH THE TOUGHNESS TO HANDLE THE BIG LOADS.

The HOLLAND ATLAS 55™ Landing Gear is positioned as the better model for standard duty applications. Features the Constant Mesh gearbox design, and the exclusive FloatingNut™. Now standard with BLACK ARMOUR™ corrosion protection.

**5 YEAR PERFORMANCE GUARANTEE**

Specially designed shaft seals within gearbox and upper housing keep water out.

Exclusive FloatingNut™ design protects the elevating screw from damage caused by dock walk.

Upper & lower housings manufactured from high strength 80,000 lb. yield steel.

Popular foot options:  
 – Standard Sand Shoe  
 – Low Profile Sandshoe  
 – Removable Cushion Foot

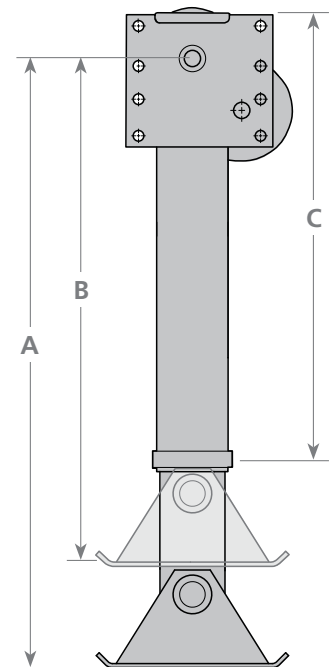
Interchangeable with HOLLAND (Binkley) Model 51,000 legs.



### PATENTED\* CONSTANT MESH GEARBOX DESIGN



The CMS design keeps the gears constantly meshed, eliminating high-to-low shifting problems, slip cranking, and difficult high-to-low shifting in cold weather.



### ATLAS 55™ CAPABILITIES

Lifting Capacity –Rated 100 ft. lbs. Input Torque	55,000 lbs.
Load Capacity	170,000 lbs.
Side Load Capacity	30,000 lbs.

### CRANK TURNS PER INCH

Low Gear	38.7
High Gear	4.5

### ATLAS DIMENSIONS

	SET PART NO.	EXTENDED LENGTH (A)	RETRACTED LENGTH (B)	UPPER LEG (C)	
	<b>4.5" SANDSHOE</b>				
	17" Travel (16.87")	LG4001-700000000	48.19"	31.19"	28.06"
	19" Travel (18.67")	LG4001-900000000	52.69"	33.69"	30.06"
	<b>2" SANDSHOE</b>				
	17" Travel (16.87")	LG4003-700000000	45.69"	28.69"	28.06"
	19" Travel (18.67")	LG4003-900000000	50.19"	31.19"	30.06"
	<b>REMOVABLE CUSHION FOOT</b>				
	17" Travel (16.87")	LG400B-700000000	46.75"	31.75"	30.06"
	19" Travel (18.67")	LG400B-900000000	51.38"	32.38"	30.06"

All specified capacities are tested in accordance with AAR M-931.  
 \*Patent Numbers 4,923,175 & 6,099,016

# CLASSIC™ GOOD

## POSITIONED TO SERVE COST-CONSCIOUS CUSTOMERS.

The HOLLAND CLASSIC™ is positioned as the good model for reliability and value. Includes the Constant Mesh gearbox and the exclusive FloatingNut™ feature found in the ATLAS 55™ model but has limited options. Now standard with BLACK ARMOUR™ corrosion protection.

**5 YEAR MATERIAL AND DEFECTS WARRANTY**

Exclusive FloatingNut™ design protects the elevating screw from damage caused by dock walk.

Upper & lower housings manufactured from high strength 80,000 lb. yield steel.

Popular foot options:  
 – Standard Sand Shoe  
 – Low Profile Sand Shoe  
 – Removable Cushion Foot (Westran Style)

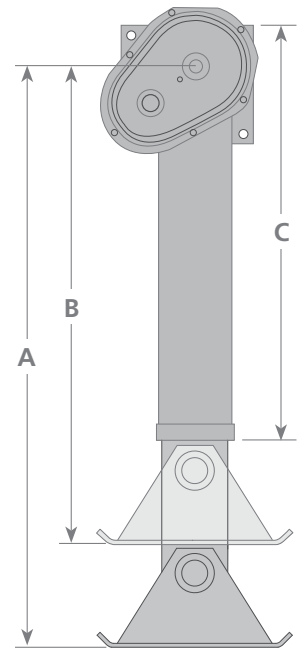
Interchangeable with Westran/Kysor CMS2 legs.






### PATENTED\* CONSTANT MESH GEARBOX DESIGN



The CMS design keeps the gears constantly meshed, eliminating high-to-low shifting problems, slip cranking, and difficult high-to-low shifting in cold weather.



CLASSIC™ CAPABILITIES	
Lifting Capacity –Rated 100 ft. lbs. Input Torque	39,000 lbs.
Load Capacity	140,000 lbs.
Side Load Capacity	27,000 lbs.
CRANK TURNS PER INCH	
Low Gear	19.3
High Gear	3.2

CLASSIC DIMENSIONS		SET PART NO.	EXTENDED LENGTH (A)	RETRACTED LENGTH (B)	UPPER LEG (C)
	<b>4.5" SANDSHOE</b>				
	17" Travel (16.87')	LG2T01-700000000	48.19"	31.19"	28.06"
	<b>2" SANDSHOE</b>				
	17" Travel (16.87')	LG2T03-700000000	45.69"	28.69"	28.06"
	<b>REMOVABLE CUSHION FOOT</b>				
	17" Travel (16.87')	LG2T0Z-700000000	46.00"	29.00"	30.06"

All specified capacities are tested in accordance with AAR M-931.  
 \*Patent Numbers 4,923,175 & 6,099,016

# THE ADVANTAGE OF HOLLAND LANDING GEAR.

Versatile HOLLAND landing gear models have earned a reputation for quick, easy replacement for OEM-installed landing gear. And, SAF-HOLLAND's long-term commitment to continuously improving landing gear technology has resulted in innovations, such as the patented "floating riser nut" design which increases sideload capacity, and NoLube™, a sealed system that provides maximum lubrication with no need for additional grease.

## APPLICATION-SPECIFIC ENGINEERING.

Experience has taught us that one model of landing gear cannot satisfy every application. Instead, SAF-HOLLAND offers you a choice of application-specific landing gear models. Some that provide as much strength and capacity as possible. Others that feature lightweight and increased speed-to-ground to improve efficiencies, payload, and reduce idle-time fuel costs. Others that prevent damage from dockwalk or uneven ground.

## SAF-HOLLAND ACCOUNTABILITY.

Accountability for performance and cost-efficiency is the distinctive advantage you get with every component that wears the HOLLAND name. Accountability that defines "value" in terms of your total "cost of ownership."

You will find proof of that accountability in the proven performance of HOLLAND landing gear in the comprehensive 5-year performance guarantee for ATLAS 55™ and MARK V™, and the 5-year material and defects warranty for the CLASSIC™ landing gear.

## LANDING GEAR ACCESSORIES & FOOTWEAR OPTIONS

It just makes sense that the number one supplier of aftermarket landing legs, should also be the number one supplier of landing leg accessories. Our crank handles cover not only traditional HOLLAND models, but also others such as Fruehauf and the "T" style crank handle. Also available are a variety of sand shoes, and several versions of the removable cushion foot. All products meet the SAF-HOLLAND standard of quality and are priced competitively for distribution.

Stocked in our Cincinnati, Ohio parts center, crank handles can be shipped in combination with regular stock orders to save freight cost.

For more information see the HOLLAND Landing Gear Accessories Catalog XL-AM10013PM and the Parts Manual XL-LG11389PM when you visit the landing gear literature section of [www.safholland.us](http://www.safholland.us).



REMOVABLE CUSHION FOOT



LOW PROFILE SAND SHOE



STANDARD SAND SHOE



H.D. SELF-LEVELING FOOT



H.D. 17' X 10' FOOT



SHAFTS AND BRACES



HAND CRANKS



CRANK HANGERS

# PART NUMBERS

## MARK V™

**BEST**



LEG PART NUMBER	DESCRIPTION	
XA-S9-3A105	16.5" Left-Hand Driven Leg - Std. Sand Shoe	
XA-S8-3A105	16.5" Right-Hand Drive Leg (Gear) - Std. Sand Shoe	
XA-S9-5A105	18.7" Left-Hand Driven Leg - Std. Sand Shoe	
XA-S8-5A105	18.7" Right-Hand Drive Leg (Gear) - Std. Sand Shoe	
XA-S9-3A001	16.5" Left-Hand Driven Leg - Self Leveler	
XA-S8-3A001	16.5" Right-Hand Drive Leg (Gear) - Self Leveler	
XA-S9-5A001	18.7" Left-Hand Driven Leg - Self Leveler	
XA-S8-5A001	16.5" Right-Hand Drive Leg (Gear) - Self Leveler	

No Hardware Included      Hardware required to build a set:  
 (1) XA-V-90-0      Crank  
 (1) LG2790      Hardware Kit  
 (1) LG0094      Cross Shaft

## ATLAS 55™

**BETTER**



LEG PART NUMBER	DESCRIPTION	
LG4001-710000000	17" Left-Hand Driven Leg - Std. Sand Shoe	
LG4001-720000000	17" Right-Hand Drive Leg (Gear) - Std. Sand Shoe	
LG4001-910000000	19" Left-Hand Driven Leg - Std. Sand Shoe	
LG4001-920000000	19" Right-Hand Drive Leg (Gear) - Std. Sand Shoe	
LG4003-710000000	17" Left-Hand Driven Leg - Low Profile Sand Shoe	
LG4003-720000000	17" Right-Hand Drive Leg (Gear) - Low Profile Sand Shoe	
LG4003-910000000	19" Left-Hand Driven Leg - Low Profile Sand Shoe	
LG4003-920000000	19" Right-Hand Drive Leg (Gear) - Low Profile Sand Shoe	
LG400B-710000000	17" Left-Hand Driven Leg - Removable Cushion Foot	
LG400B-720000000	17" Right-Hand Drive Leg (Gear) - Removable Cushion Foot	
LG400B-910000000	19" Left-Hand Driven Leg - Removable Cushion Foot	
LG400B-920000000	19" Right-Hand Drive Leg (Gear) - Removable Cushion Foot	

No Hardware Included      Hardware required to build a set:  
 (1) 50644000      Crank  
 (1) LG2789      Hardware Kit  
 (1) LG0094      Cross Shaft

## CLASSIC™

**GOOD**



LEG PART NUMBER	DESCRIPTION	
LG2T01-710000000	17" Left-Hand Driven Leg - Std. Sand Shoe	
LG2T01-720000000	17" Right-Hand Drive Leg (Gear) - Std. Sand Shoe	
LG2T03-710000000	17" Left-Hand Driven Leg - Low Profile Sand Shoe	
LG2T03-720000000	17" Right-Hand Drive Leg (Gear) - Low Profile Sand Shoe	
LG2T0Z-710000000	17" Left-Hand Driven Leg - Removable Cushion Foot	
LG2T0Z-720000000	17" Right-Hand Drive Leg (Gear) - Removable Cushion Foot	

No Hardware Included      Hardware required to build a set:  
 (1) 50644000      Crank  
 (1) LG2789      Hardware Kit  
 (1) LG0094      Cross Shaft



**SAF-HOLLAND** is a leading supplier of highly efficient components, systems and service programs in the global commercial vehicle industry. Our three core product brands are recognized for delivering innovative solutions that optimize fleet operations in every corner of the world.



**TRAILER AXLES AND  
SUSPENSION SYSTEMS**



**COUPLING AND LIFTING  
TECHNOLOGIES**



**SUSPENSIONS FOR  
TRUCKS AND BUSES**

With our team of over 3,000 employees and a worldwide network of over 9,000 service partners, we serve our fleet customers with know-how and passion, and always focused on one target: **Engineering your road to success.** Anywhere in the world. Under any conditions. 365 days a year.

**HIGHLY EFFICIENT COMPONENTS AND SYSTEMS FOR TRUCKS AND TRAILERS**



EUROPE | AMERICAS | AFRICA | ASIA | MIDDLE EAST | AUSTRALIA

[safholland.com](http://safholland.com)

**SAF-HOLLAND, Inc.**  
888.396.6501 Fax 800.356.3929

**SAF-HOLLAND Canada Limited**  
519.537.3494 Fax 800.565.7753  
Western Canada 604.574.7491 Fax 604.574.0244