

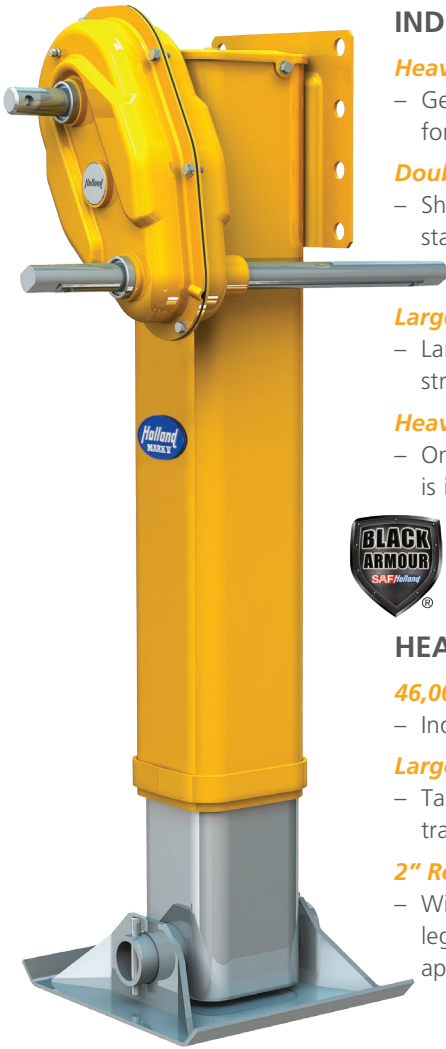
# MARK V™

THE LANDING GEAR THAT EXCEEDS THE STANDARDS  
FOR STRENGTH, DURABILITY, AND EASE OF LIFT

# HOLLAND

## MARK V™ SERIES

### LANDING GEAR



#### INDUSTRY-LEADING STANDARD FEATURES

##### Heavy-Duty Gearbox

- Gearbox with low-temperature premium lube rated for service for -65°F to 225°F

##### Double-D Crank Handle Connection

- Shaft with double-D end means a stronger more stabilized cranking connection

##### Large 5 1/8" Square Upper Tube Housing

- Large size tube with radius corners provides maximum strength to meet heavy-duty application demands

##### Heavy-duty One Piece Inner Tube

- One piece inner tube for maximum strength when the leg is in the extended position



##### Black Armour Metal Treatment

- Treatment process, unlike paint or powder coating, means the ultimate in corrosion protection with no rust creep

#### HEAVY-DUTY MARK V SPECIFIC FEATURES

##### 46,000 lb. Side Load Capacity

- Industry's largest available side load rating

##### Large heavy-duty tapered mounting plate

- Tall tapered plate provides increased strength for severe-duty trailer applications

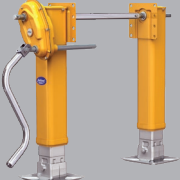
##### 2" Reinforcement Collar

- Wider 2" collar around the bottom of the upper leg tube aids structural integrity for severe-duty applications when the leg is extended



## MARK V™

SIDE LOAD CAPACITY 32,000 LBS.



**GEARING**  
2.5 Turns Per Inch - High Gear  
33.7 Turns Per Inch - Low Gear

**WEIGHT** 150 lbs.  
(17" Travel, RCF, MRL, Reverse Shafts)

**CAPACITIES**  
62,500 lbs. Lift Capacity  
(100 ft./lbs. Input Torque)  
200,000 lbs. Load Capacity  
32,000 lbs. Side Load Capacity

NOTE: Weight measurements are less hardware.

*All specified capacities are tested in accordance with AAR M-931.*

## MARK V™ HEAVY DUTY

SIDE LOAD CAPACITY 46,000 LBS.



**GEARING**  
2.5 Turns Per Inch - High Gear  
33.8 Turns Per Inch - Low Gear

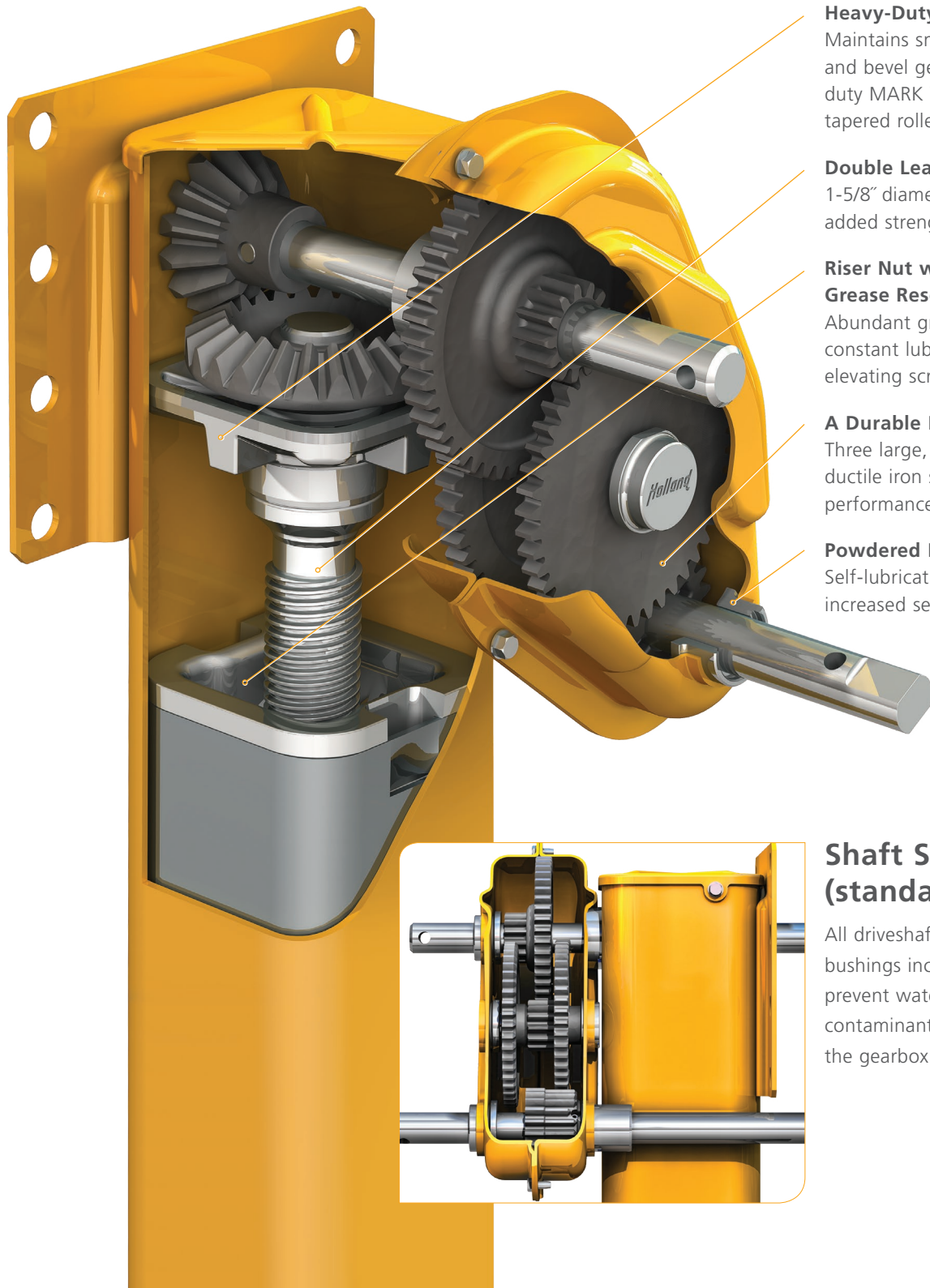
**WEIGHT** 176 lbs.  
(17" Travel, RCF, MRL, Reverse Shafts)

**CAPACITIES**  
62,500 lbs. Lift Capacity  
(100 ft./lbs. Input Torque)  
200,000 lbs. Load Capacity  
46,000 lbs. Side Load Capacity

NOTE: Weight measurements are less hardware.

*All specified capacities are tested in accordance with AAR M-931.*

# BUILT-IN DURABILITY FOR ROBUST PERFORMANCE



**Heavy-Duty Thrust Bearings**  
Maintains smooth elevating screw and bevel gear operation. Heavy-duty MARK V™ model utilizes tapered roller bearings.

**Double Lead Elevating Screw**  
1-5/8" diameter, rolled threads for added strength and smooth lift.

**Riser Nut with Deep Grease Reservoir**  
Abundant grease source means constant lubrication of the elevating screw.

**A Durable Ductile Gears**  
Three large, in-line, heat-treated ductile iron spur gears for robust performance.

**Powdered Metal Shaft Bushings**  
Self-lubricating shaft bushings for increased service life.

## Shaft Seals (standard)

All driveshaft and crankshaft bushings include shaft seals to prevent water, dirt and other contaminants from entering the gearbox and upper leg.

# OPTIONAL FEATURES

## NoLube™

NoLube™ provides a sealed system resulting in maximum component lubrication. NoLube™ technology protects your investment and lowers maintenance time and costs through the application of high-quality seals and an encased elevating screw surrounded with lubricant to provide consistent performance and easy operation for years to come.

5-Year and 10-Year NoLube™ options available. See new lifetime warranty upgrade information.

## Optional Sealed Grease Tube

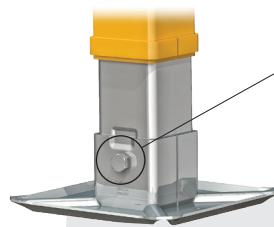
Completely surrounding the elevating screw is a sealed grease tube so that when the legs are raised or lowered, the screw receives a fresh coating of grease.



## Optional RCF (Removable Cushion Foot)

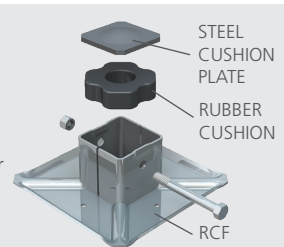
HOLLAND MARK V™ landing gear are available with an optional, patented removable cushion foot (RCF). A proven, innovative landing gear foot that has won the respect and recognition of our industry.

The RCF footwear option utilizes a heavy-duty rubber cushion that absorbs 50% more shock than conventional footwear.



The RCF feature allows easy removal of a damaged foot by simply extracting a single bolt. No cutting or welding is required.

RCF technology simply transmits the shock from the entire load in compression from steel-to-rubber-to-steel. That means reduced wear and damage to the cargo, trailer, and landing gear.



## STANDARD 5-YEAR WARRANTY OR PREMIUM LIFETIME WARRANTY

HOLLAND Mark V and Mark V HD models are available with standard or premium warranty options.

5-Year warranty covers defects in materials and workmanship.

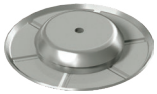
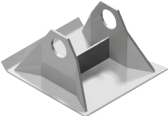

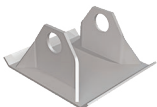

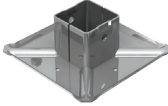
Lifetime warranty covers defects in material and workmanship and comes standard with the NoLube feature, HD Bearing and RCF.

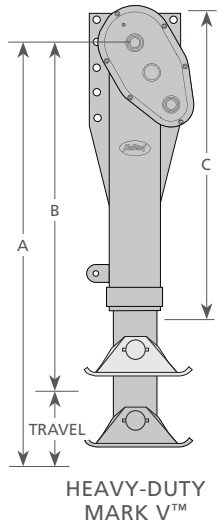
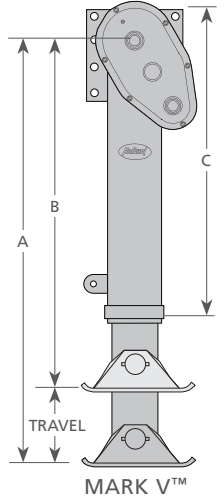
The 10-Year NoLube feature also reduces your maintenance bottom line and covers unexpected repairs and associated costs, unless the product is altered or damaged.

Recommended protection practices for your HOLLAND landing gear include routine greasing at 6 month intervals. After 10 years of operation, HOLLAND legs with the 10-Year NoLube feature, require routine greasing every 6 months.

*Note: See warranties for details  
For 5-year warranty see XL-LG20045WC  
For Lifetime warranty see XL-LG11395WC*

# MARK V™ SPECIFICATIONS

MARK V™					H.D. MARK V™			
DIMENSIONS	TRAVEL	EXTENDED LENGTH (A)	RETRACTED LENGTH (B)	UPPER LEG (C)	TRAVEL	EXTENDED LENGTH (A)	RETRACTED LENGTH (B)	UPPER LEG (C)
<b>SELF LEVELING FOOT</b>								
 FOOT CODE - 01	12.5"	37.0"	24.5"	25.1"	12.5"	37.1"	24.6"	25.9"
	13.5"	41.3"	27.8"	25.9"	13.5"	41.4"	27.9"	27.4"
	15.0"	44.3"	29.3"	27.4"	15.0"	44.4"	29.4"	28.9"
	16.5"	47.3"	30.8"	28.9"	16.5"	47.4"	30.9"	30.0"
	17.6"	49.5"	31.9"	30.0"	17.6"	49.6"	32.0"	31.1"
	18.7"	51.8"	33.1"	31.1"	18.7"	51.9"	33.2"	32.4"
<b>SAND SHOE</b>								
 FOOT CODE - 05	9.9"	37.9"	28.0"	25.1"	9.2"	37.9"	28.7"	25.9"
	13.5"	42.2"	28.7"	25.9"	12.0"	42.2"	30.2"	27.4"
	15.0"	45.2"	30.2"	27.4"	13.5"	45.2"	31.7"	28.9"
	16.5"	48.2"	31.7"	28.9"	15.4"	48.2"	32.9"	30.0"
	17.6"	50.5"	32.9"	30.0"	16.6"	50.5"	34.0"	31.1"
	18.7"	52.7"	34.0"	31.1"	17.4"	52.7"	35.3"	32.4"
<b>LOW PROFILE SAND SHOE</b>								
 FOOT CODE - 13	9.9"	35.4"	25.5"	25.1"	9.2"	35.4"	26.2"	25.9"
	13.5"	39.7"	26.2"	25.9"	12.0"	39.7"	27.7"	27.4"
	15.0"	42.8"	27.7"	27.4"	13.5"	42.8"	29.2"	28.9"
	16.5"	45.7"	29.2"	28.9"	15.4"	45.7"	30.3"	30.0"
	17.6"	48.0"	30.4"	30.0"	16.5"	48.0"	31.5"	31.1"
	18.7"	50.2"	31.5"	31.1"	17.4"	50.2"	32.8"	32.4"
<b>WEIGHT SAVER SAND SHOE</b>								
 FOOT CODE - 15	9.9"	37.2"	27.3"	25.1"	9.5"	37.2"	28.0"	25.9"
	13.5"	41.5"	28.0"	25.9"	12.0"	41.5"	29.5"	27.4"
	15.0"	44.5"	29.5"	27.4"	13.5"	44.5"	31.0"	28.9"
	16.5"	47.5"	31.0"	28.9"	15.4"	47.5"	32.1"	30.0"
	17.6"	49.7"	32.1"	30.0"	16.6"	49.7"	33.2"	31.1"
	18.7"	52.0"	33.3"	31.1"	17.4"	52.0"	34.6"	32.4"
<b>HEAVY-DUTY SAND SHOE</b>								
 FOOT CODE - 12	9.9"	37.4"	27.5"	25.1"	9.2"	37.4"	28.2"	25.9"
	13.5"	41.7"	28.2"	25.9"	12.0"	41.7"	29.7"	27.4"
	15.0"	44.7"	29.7"	27.4"	13.5"	44.7"	31.2"	28.9"
	16.5"	47.7"	31.2"	28.9"	15.4"	47.7"	32.3"	30.0"
	17.6"	49.9"	32.3"	30.0"	16.6"	50.0"	33.4"	31.1"
	18.7"	52.2"	33.5"	31.1"	17.4"	52.2"	34.8"	32.4"
<b>REMOVABLE CUSHION FOOT</b>					<b>CUSHION FOOT</b>			
 FOOT CODE - 24	10.3"	36.8"	26.5"	25.1"	11.8"	38.5"	26.7"	25.9"
	13.5"	41.1"	27.6"	25.9"	13.5"	42.8"	29.3"	27.4"
	15.0"	44.1"	29.1"	27.4"	15.0"	45.8"	30.8"	28.9"
	16.5"	47.1"	30.6"	28.9"	16.5"	48.8"	32.3"	30.0"
	17.6"	49.3"	31.7"	30.0"	17.6"	51.1"	33.5"	31.1"
	18.7"	51.5"	32.8"	31.1"	18.7"	53.3"	34.6"	32.4"



SAND SHOE AXLE CODES  
Hollow Axle - 1  
Solid Axle - 3



NOTE: MARK V & Heavy-Duty MARK V technical dimensions and ordering code can be found in the HOLLAND Landing Gear Parts Manual (XL-LG11389PM).



# SAF Holland Group



TRAILER AXLES AND  
SUSPENSION SYSTEMS



COUPLING AND  
LIFTING SYSTEMS



SUSPENSIONS FOR  
TRUCKS AND BUSES



SUSPENSIONS AND  
AXLE SYSTEMS



BUS AIR SUSPENSION  
SYSTEMS



V. ORLANDI  
TOWING  
SYSTEMS



TRAILER AXLES/SUSPENSIONS,  
COUPLING AND LIFTING  
SYSTEMS

[safholland.com](http://safholland.com)

**SAF-HOLLAND, Inc.**

888.396.6501 Fax 800.356.3929

**SAF-HOLLAND Canada Limited**

519.537.3494 Fax 800.565.7753

Western Canada 604.574.7491 Fax 614.574.0244