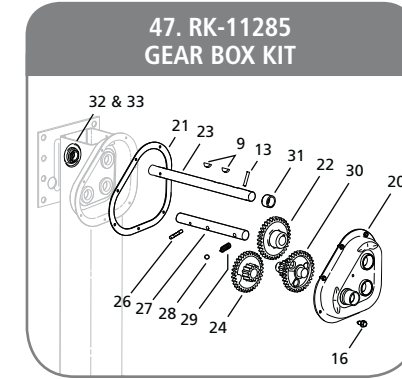
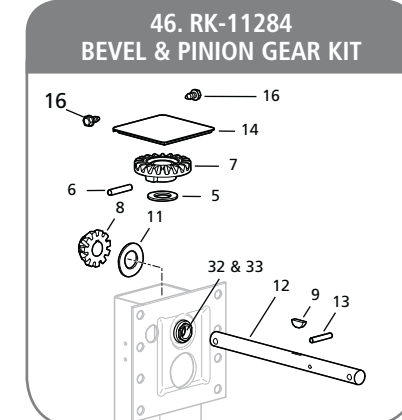
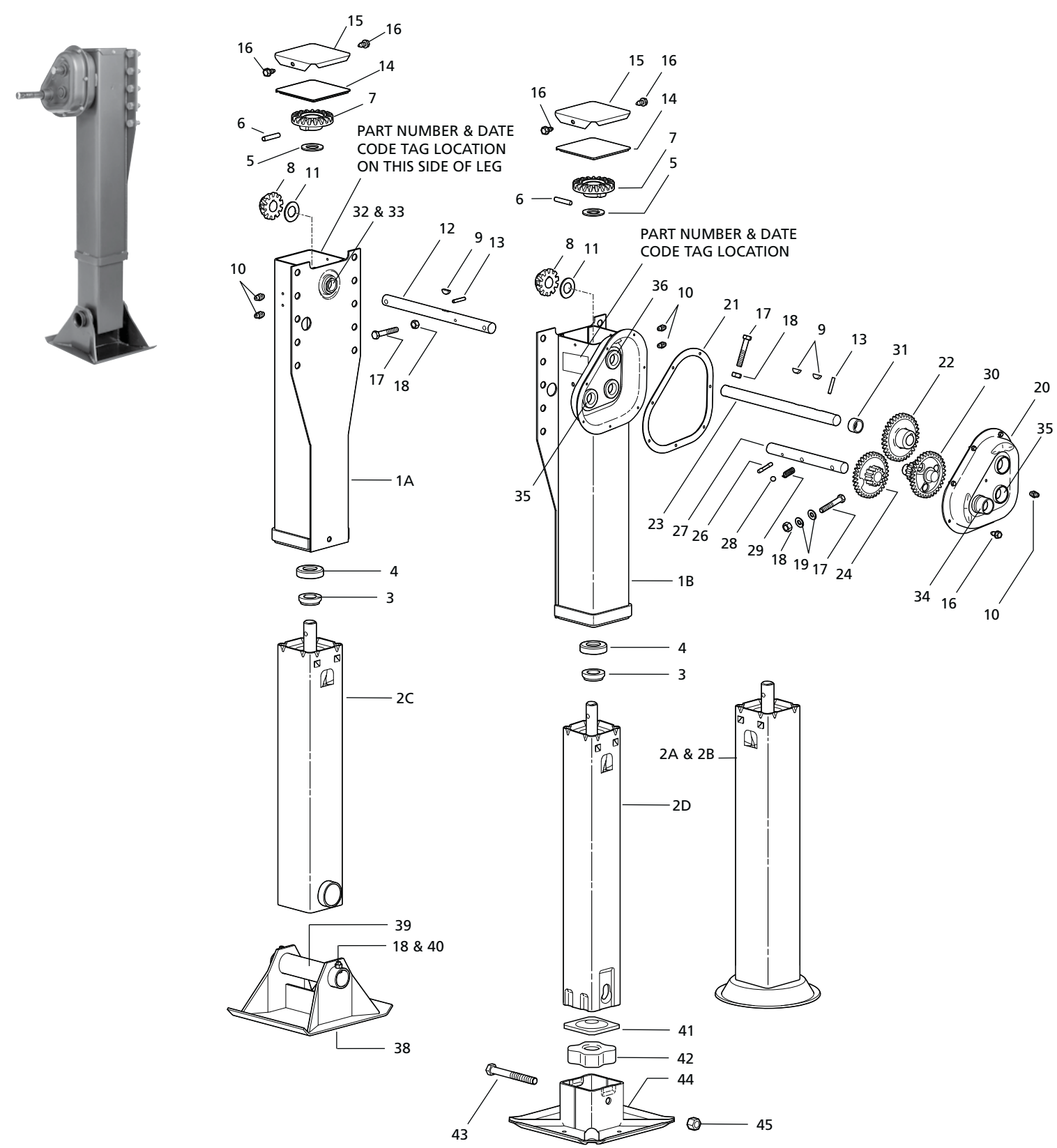


Model 50000 Standard

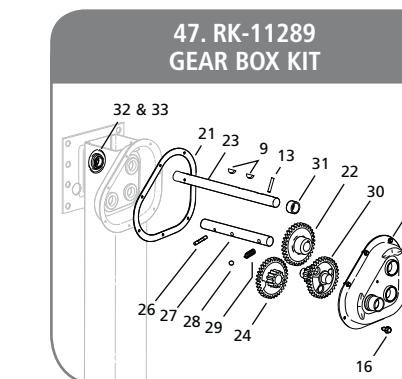
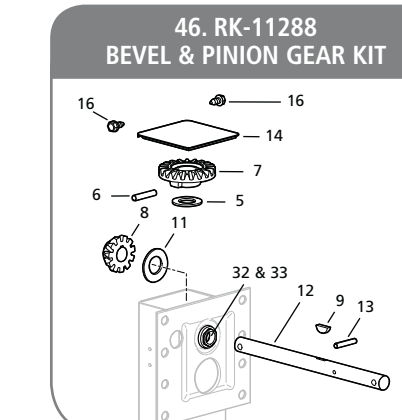
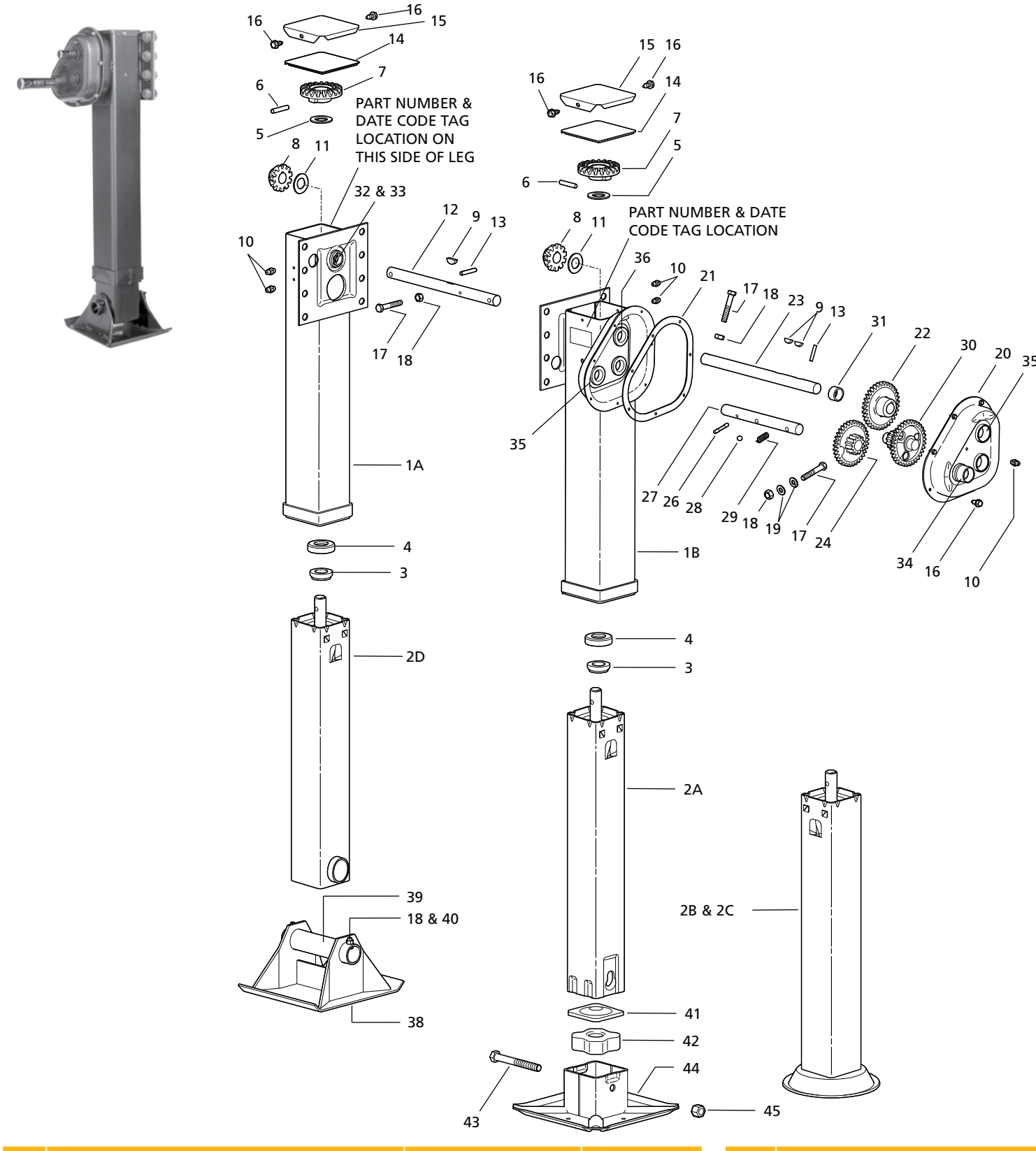


DISCONTINUED MODEL SERVICE PARTS ONLY
As of 03/2012
50000 model legs were replaced with the ATLAS 55™ model.

NO.	DESCRIPTION	PART NO.	SPEED		NO.	DESCRIPTION	PART NO.	SPEED	
			ONE	TWO				ONE	TWO
1A	Upper Housing LH	N/A*	-	-		Jackshaft RH - Universal Mount	LG0260	-	1
1B	Upper Housing RH	N/A*	-	-		- I-Beam Standard Mount	LG0370-01	-	1
2A	Retract Tube - 10" Shockfoot	N/A*	-	-	23	- Conventional Mount	LG0370-05	-	1
2B	Retract Tube - 12" Shockfoot	N/A*	-	-		- Reverse Mount	LG0438	-	1
2C	Retract Tube - Axle	N/A*	-	-		24 Input Gear - High & Low	LG0541-01	-	1
2D	Retract Tube - Removable Cushion Foot	N/A*	-	-		26 Groove Pin - .25" x 1.50" Type E	XB-GP-014-07	-	1
3	Collar	XB-LG0544	1	1		Shift Shaft - Universal Mount	LG0261-01	-	1
4	Thrust Bearing	XB-BRG-013-77	1	1		- I-Beam & Conventional Mount	LG0371-01	-	1
5	Washer - FL 2" OD x 1.19" ID x .13" THK	XB-PW-016-62	1	1		- Reverse Mount	LG0437	-	1
6	Pin - DIA .38" x 2"	XB-CRP-V-06635	1	1		28 Shift Lock Ball	XB-BAL-023-07	-	1
7	Bevel Gear	XA-LG0570-01	1	1		29 Shift Lock Spring	XB-SPG-020-36	-	1
8	Pinion Gear	LG0531-02	1	1		30 Idler Gear	XB-LG0542-01	-	1
9	Key - Woodruff .25" x .88"	XB-KEY-018-02	1	2		31 Spacer Bushing	XB-LG0219-01	-	1
10	Ftg - Grease .25"-28 Self Tapping	XB-GRF-022-16	2	3		32 Retainer - Hex Lock	LG2094	2	1
11	Washer - Fl 1.88" OD x 1.02" ID x .06"	XB-PW-016-19	1	1		33 Hex Lock Boss	LG2095	2	1
	Jack Shaft LH - Universal Mount	LG0259	1	-		34 Shift Lock Boss	XB-LG0658-01	-	1
	- I-Beam Mount	LG0369-01	1	-		35 Gearbox Boss	XB-LG0659-01	-	4
	- Conventional Mount	LG0369-05	1	-		36 Gearbox Boss - Inside Half	XB-LG0660	-	1
	- Reverse Mount	LG0436	1	-		Sandshoe - 10" x 10" x 4.50"	50616001	1	1
13	Pin - Spring DIA .25" x 1.5"	XB-SP-014-27	1	1		- 10" x 12" x 4.50"	50616000	1	1
14	Gasket	XB-LG0413	1	1		- 10" x 10" x 2.00"	50616008	1	1
15	Cover	LG0264	1	1		- 10" x 12" x 2.00"	50616007	1	1
16	Self-Tapping Screw - .25"-20 x .5"	XB-ST5-008-11	2	9		39 Sandshoe Axle - Hollow 8.50" Lg	LG0070-02	1	1
17	Screw - Hex Hd .38"-16 x 2.25" Gr5	XB-HHC-050-42	1	2		40 Screw - Hex Cap .38"-16 x .75" Gr5	XB-HHC-050-69	1	1
18	Self-Locking Nut - .38"-16	XB-SLN-012-04	2	3		41 Cushion Foot Plate	LG0725	1	1
19	Washer - .38" Std. Type A	XB-PW-016-03	-	2		42 Rubber Cushion	XB-LG0726	1	1
20	Gearbox Half, Outside w/Hole for Grease Fitting	XB-LG0663	-	1		43 Bolt - Hex Head .63" -11 x 5.50"	XB-HHB-050-70	1	1
20	Gearbox Half, Outside w/Grease Fitting Included	LG0663	-	1		44 Removable Cushion Foot - 10" x 10"	LG0732-01	1	1
21	Gearbox Gasket	XB-LG0428	-	1		45 Self-Locking Nut - .63"-11	XB-SP0012-10	1	1
22	Output Gear	LG0543-01	-	1		46 Bevel & Pinion Gear Repair Kit	RK-11284	1	1
						47 Gear Box Repair Kit	RK-11285	-	1
						48 Black Armour™ Touchup Kit (not shown)	RK-10919	1	1

*Contact Customer Service

Model 51000 Standard

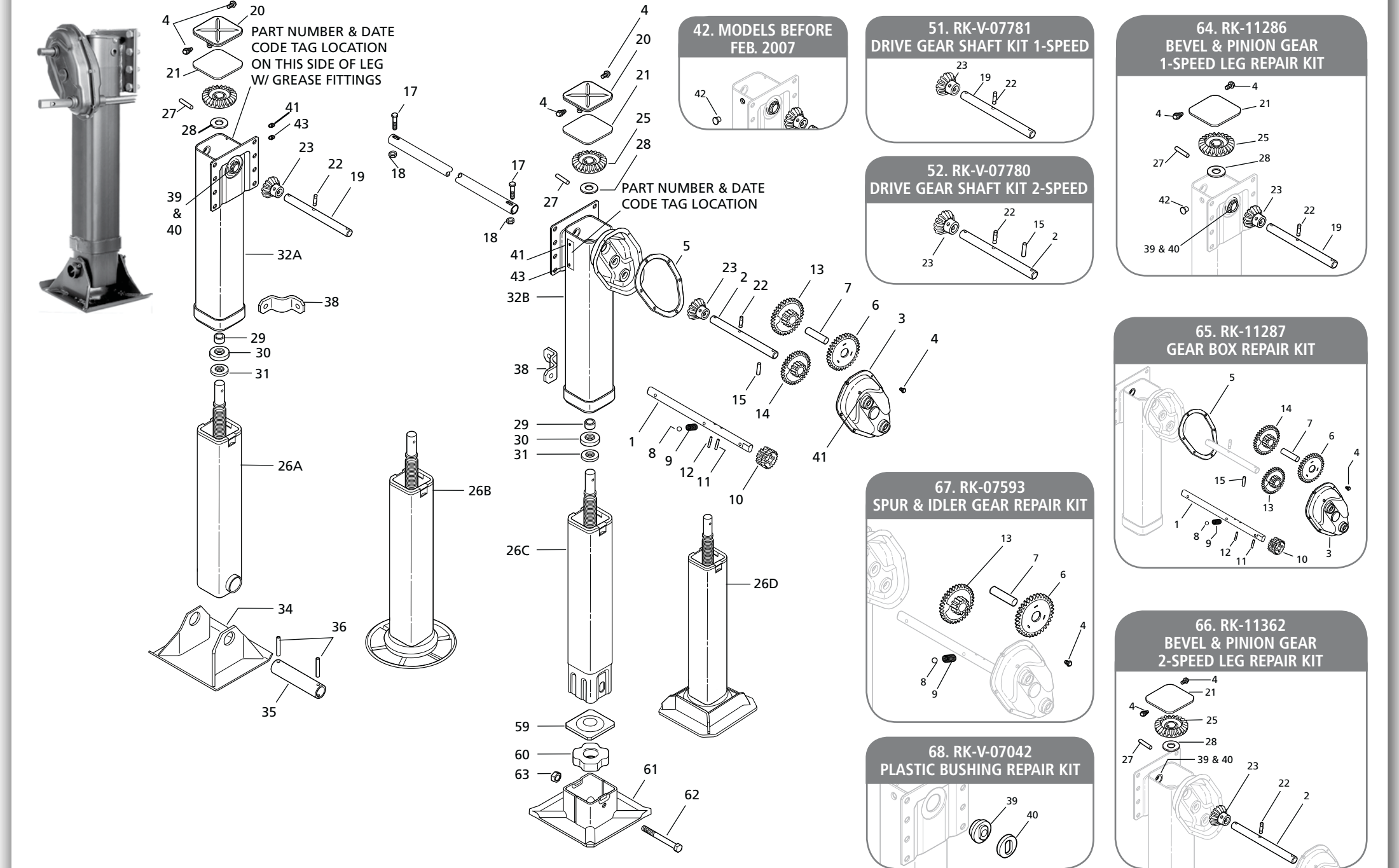


DISCONTINUED MODEL SERVICE PARTS ONLY
As of 09/2010
51000 model legs were replaced with the ATLAS 55™ model.

NO.	DESCRIPTION	PART NO.	SPEED		NO.	DESCRIPTION	PART NO.	SPEED	
			ONE	TWO				ONE	TWO
1A	Upper Housing LH	N/A*	1	-		Jackshaft RH - Universal	LG0928	-	1
1B	Upper Housing RH	N/A*	-	1		- I-Beam Mount	LG0947	-	1
2A	Retract Tube - Removable Cushion Foot	N/A*	1	1	23	- Conventional Mount	LG0947-02	-	1
2B	Retract Tube - 10" Shockfoot	N/A*	1	1		- Reverse Mount	LG0949	-	1
2C	Retract Tube - 12" Shockfoot	N/A*	1	1		24 Input Gear - High & Low	LG0541-01	-	1
2D	Retract Tube - Axle	N/A*	1	1		26 Groove Pin, Type E DIA .25" x 1.50"	XB-GP-014-07	-	1
3	Collar	XB-LG0544	1	1		Shift Shaft - Universal Mount	LG0261-01	-	1
4	Thrust Bearing	XB-BRG-013-77	1	1		- I-Beam & Conventional Mount	LG0371-01	-	1
5	Washer - FL 2" OD x 1.19" ID x .13" THK	XB-PW-016-62	1	1		- Reverse Mount	LG0437	-	1
6	Pin - DIA .38" x 2"	XA-CRP-V-06635	1	1		28 Shift Lock Ball	XB-BAL-023-07	-	1
7	Bevel Gear	XA-LG0570-01	1	1		29 Shift Lock Spring	XB-SPG-020-36	-	1
8	Pinion Gear	XB-LG1823-01	1	1		30 Idler Gear	XB-LG0542-01	-	1
9	Key - Woodruff .25" x .88"	XB-KEY-018-02	1	2		31 Spacer Bushing	XB-LG0219-01	-	1
10	Ftg - Grease .25"-28 Self Tapping	XB-GRF-022-16	2	3		32 Retainer, Hex Lock	LG2094	2	1
11	Washer - Fl 1.8" OD x 1.01" ID x .06"	XB-PW-016-19	1	1		33 Hex Lock Boss	LG2095	2	1
	Jack Shaft LH - Universal Mount	LG0927	1	-		34 Shift Lock Boss	XB-LG0658-01	-	1
	- I-Beam Mount	LG0946	1	-		35 Gearbox Boss	XB-LG0659-01	-	4
	- Conventional Mount	LG0946-02	1	-		36 Gearbox Boss, Inside Half	XB-LG0660	-	1
	- Reverse Mount	LG0948	1	-		Sandshoe - 10" x 10" x 4.50"	50616001	1	1
12	Pin - Spring DIA .25" x 1.5"	XB-SP-014-27	1	1		- 10" x 12" x 4.50"	50616000	1	1
13	Gasket	XB-LG0893	1	1		- 10" x 10" x 2.00"	50616008	1	1
14	Cover	XA-LG0880	1	1		- 10" x 12" x 2.00"	50616007	1	1
15	Self-Tapping Screw .25"-20 x .5"	XB-ST5-008-11	2	9		39 Sandshoe Axle - Hollow 8.50" Lg	LG0070-02	1	1
16	Self-Tapping Screw .25"-20 x .5"	XB-ST5-008-11	2	9		40 Screw, Hex Cap .38"-16 x .75" Gr5	XB-HHC-050-69	1	1
17	Screw - Hex Cap .38"-16 x 2.25" Gr5	XB-HHC-050-42	1	2		41 Cushion Foot Plate	LG0725	1	1
18	Self-Locking Nut .38"-16	XB-SLN-012-04	2	3		42 Rubber Cushion	XB-LG0726	1	1
19	Washer .38" Std Type A	XB-PW-016-03	-	2		43 Bolt - Hex Head .63" -11 x 5.50"	XB-HHB-050-70	1	1
20	Gearbox Half, - Outside w/Hole for Grease Fitting	LG0663	-	1		44 Removable Cushion Foot - 10" x 10"	LG0732-01	1	1
20	Gearbox Half, - Outside w/Grease Fitting Included	XB-LG0663	-	1		45 Self-Locking Nut - .63"-11	XB-SP0012-10	1	1
21	Gearbox Gasket	XB-LG0428	-	1		46 Bevel & Pinion Gear Repair Kit	RK-11284	1	1
22	Output Gear	LG0543-01	-	1		47 Gear Box Repair Kit	RK-11289	-	1
						48 Black Armour™ Touchup Kit (not shown)	RK-10919	1	1

*Contact Customer Service

MARK V™ & MARK V™ Heavy Duty



NO.	DESCRIPTION	PART NO.	SPEED		NO.	DESCRIPTION	PART NO.	SPEED	
			ONE	TWO				ONE	TWO
	Shift Shaft RH - Universal	XA-V-06625-A	-	1		Collar	XA-V-06629	1	1
	- I-Beam	XA-V-06625-C	-	1		Upper Leg - 1-Speed	N/A*	1	-
1	- Extended I-Beam	XA-V-06625-F	-	1		- 1-Speed Heavy Duty (not shown)	N/A*	1	-
	- Conventional	XA-V-06625-C	-	1		Upper Leg - 2-Speed	N/A*	-	1
	- Reverse	XA-V-06625-B	-	1		- 2-Speed Heavy Duty (not shown)	N/A*	-	1
	Jack Shaft RH - Universal	XA-V-06624-A	-	1		- Skid Foot - 4.5" x 12" x 11.5"	LG0050	1	1
2	- I-Beam	XA-V-06624-D	-	1		- 2.0" x 12" x 11.5"	LG0051	1	1
	- Extended I-Beam	XA-V-06624-F	-	1		- 3.8" x 10" x 11.5"	XA-V-796-WS	1	1
	- Conventional & Reverse	XA-V-06624-C	-	1		- 2.0" x 10" x 11.5"	LG0056	1	1
	- Reverse	XA-V-06618	-	1		- 4" x 12" x 16"	XA-HV-796	1	1
3	Gearbox Cover Assembly	XA-V-06618	-	1		Standard Axle	XA-V-1901-1	1	1
4	Thread Rolling Screw	XB-06372	2	8		Solid Axle	XA-V-1903-1	1	1
5	Gearbox Gasket	XB-V-06621	-	1		Rollpin - .38" x 3"	XB-21-S-375-3000	2	2
6	Idler Gear	XA-V-06602	-	1		Brace Lug	XA-V-1938	1	1
7	Idler Gear Shaft	XA-V-07085	-	1		Bearing	XB-LG0559	2	1
8	Ball	XB-BAL-023-01	-	1		Retainer	XB-LG1570	2	1
9	Spring	XB-SPG-020-02	-	1		Lube Fitting	XB-767	1	2
10	Input Gear - Low	XA-V-06604-1	-	1		Plastic Plug - Models before Feb. 2007	XB-01789	1	1
11	Pin - .25" x 1.44"	XA-CRP-V-06633	-	1		Lube Fitting w/Extension	XB-767-L	1	1
12	Spring Pin - .22" x 1.50"	XB-21-S-218-1500	-	1		Crankshaft Bracket (optional)	XA-V-971	-	1
13	Input Gear - High	XA-V-06606	-	1		Crank Hanger (optional)	XB-V-1915	-	1
14	Output Gear	XA-V-06603	-	1		Crank Hanger (optional)	XB-LG0085	-	1
15	Pin - .38" x 1.5"	XA-CRP-V-06634	-	1		Extension Shaft - Long (optional) - 15.44"	XA-V-1916	-	1
17	Screw - .38"-16 x 2.00"	XB-V-444-4	1	1		- Short (optional) - 8.94"	XA-V-1916-1	-	1
18	Lock Nut - .38"-16	XB-338	1	1		Crankshaft Coupling (optional)	XA-V-630-2	-	1
	Jack Shaft LH - Universal	XA-V-06623-A	1	-		Drive Gear Shaft Kit - 1-Speed	RK-V-07781	-	1
	- I-Beam	XA-V-06623-D	1	-		Drive Gear Shaft Kit - 2-Speed	RK-V-07780	-	1
	- Extended I-Beam	XA-V-06623-F	1	-		Groove Pin - .38" x 1.38" (optional)	XB-GP-38-138-5	-	2
19	- Conventional	XA-V-06623-C	1	-		Locknut - .25"-28 (optional)	XB-3103	-	3
	- Reverse	XA-V-06623-B	1	-		Screw - .25"-28 x 3" (optional)	XB-07618	-	3
20	Upper Leg Cover	XA-V-06611	1	1		Ext. Bracket - Long - 15.56"	XA-V-07601-1	-	1
21	Gasket	XB-V-07054	1	1		(not shown) - Short - 9.06"	XA-V-07601-2	-	1
22	Groove Pin .38" x 1.50"	XB-GP-38-112-E	1	1		Ext. Bracket & Shaft Kit - Long - 15.56"	RK-V-07602-1	-	1
23	Pinion Gear	XA-V-06600	1	1		(not shown) - Short - 9.06"	RK-V-07602-2	-	1
25	Bevel Gear	XA-V-06601	1	1		Ext. Bracket & Shaft Kit - Long - 15.44"	RK-V-1997-1	-	1
26A	Inner Leg & Screw Assy. - Axle	N/A*	1	1		(not shown) - Short - 8.94"	RK-V-1997-2	-	1
	- HD Leg Axle	N/A*	1	1		Cushion Foot Plate	LG1829	1	1
26B	Inner Leg & Screw Assy. - Self-Leveling	N/A*	1	1		Rubber Cushion	XB-LG0713	1	1
	- HD Self-Leveling	N/A*	1	1		Removable Cushion Foot	XA-V-796-RCF	1	1
26C	Inner Leg & Screw Assy. - RCF	N/A*	1	1		Hex Head Screw - .63"-11 x 6" - GR2	XB-HHC-050-114	1	1
	- HD Removable Cushion Foot	N/A*	1	1		Top Lock Nut - .63"-11 - GR.C	XB-06179-2	1	1
26D	Inner Leg & Screw Assy. - Shock Foot	N/A*	1	1		Bevel & Pinion Gear Repair Kit	RK-11286	1	1
	- HD Shock Foot	N/A*	1	1		Gear Box Repair Kit	RK-11287	-	1
27	Pin - .38" x 2"	XA-CRP-V-06635	1	1		Black Armour™ Touchup Kit (not shown)	RK-10919	1	1
28	Washer	XB							