



Formulated  
Specifically  
for Landing  
Legs!



# LANDING GEAR GREASE

MAINTAIN THE TRUE PERFORMANCE OF YOUR HOLLAND LANDING GEAR WITH TRUE LUBE™ GREASE.

*Formulated  
for optimized  
performance  
in all climates  
from  
-40° F to  
150° F.*

## TRUE LUBE™ FEATURES & BENEFITS

- Excellent formula stability to maintain consistent smooth operation
- Excellent corrosion and oxidation protection to protect gears from corrosion
- Wide operating temperature range to ensure crank operation
- Excellent oil bleed control to reduce oil leaks and prevent grease hardening
- Excellent salt water resistance for survival in harsh coastal environments
- Excellent anti-wear and load carrying to prevent gear and screw damage under heavy loads
- High-tech formula for optimal performance efficiency
- Used in HOLLAND Atlas and Saturn 62iM Series

True Lube™ Grease		
Part No.	Description	Weight
XB-LUB-035-08-02	10 pack box/14 oz. tubes	9.2 lbs.
XB-LUB-035-08-03	5 gallon pail	42 lbs.
XB-LUB-035-08-04	17 gallon keg	144 lbs.

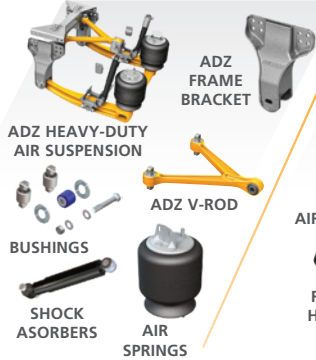
# FRONT<sub>to</sub>BACK

SAF-HOLLAND ORIGINAL PARTS



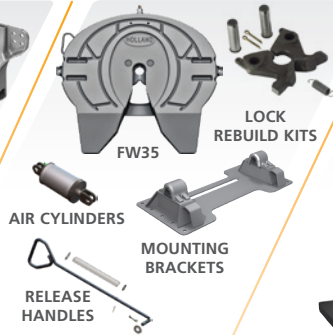
**NEWAY**

**SUSPENSIONS**



**Holland**

**FIFTH WHEELS**



**Holland**

**KINGPINS**



**SAF**

**SUSPENSIONS**



**Holland**

**LANDING GEAR**



**Holland**

**COUPLINGS**



**Holland**

**BUMPER TUBES**



Call 800.876.3929  
safholland.us

**SAF-Holland**

ORIGINAL PARTS™

**SAF** **Holland** **NEWAY**

XL-LG20039SL-en-US Rev D · 2019-09-20 · Amendments and errors reserved ©SAF-HOLLAND, Inc. SAF-HOLLAND, HOLLAND, and SAF-HOLLAND Original Parts logos are trademarks of SAF-HOLLAND S.A., SAF-HOLLAND GmbH, and SAF-HOLLAND, Inc.

**ORIGINAL SERVICE PARTS TO KEEP YOU ROLLING**