



SAF-HOLLAND Group

## Installation Instructions

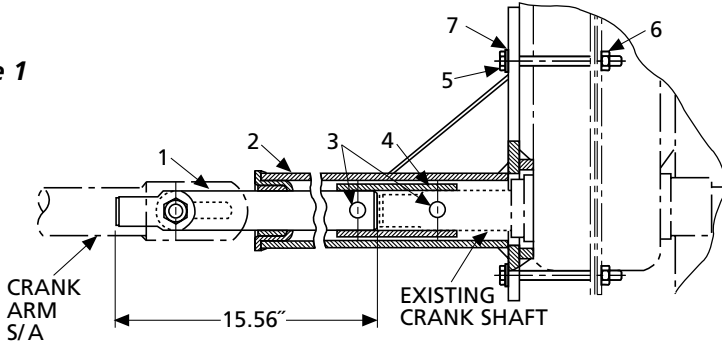
### Mark V Landing Gear Extension Shaft & Bracket Replacement

RK-V-07602-1 Rebuild Kit

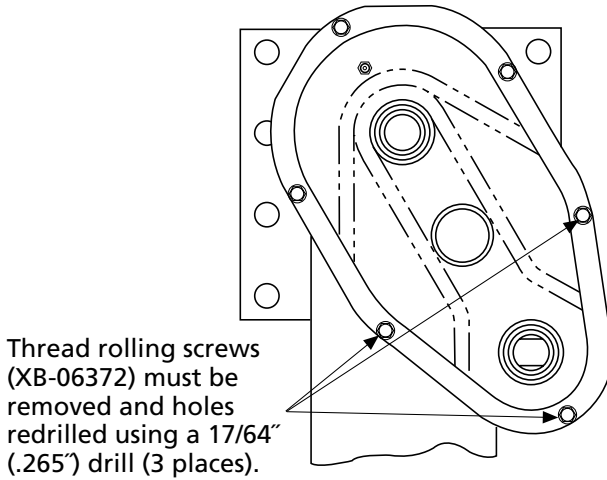


# INSTALLATION INSTRUCTIONS

**Figure 1**



**Figure 2**



## Kit Contains

Item #	Description	Qty.	Part #
1	Extension Shaft	1	XA-V-1916
2	Extension Bracket	1	XA-V-07601-1
3	Roll Pin, 3/8" dia. x 1.5"	2	XB-21-S-375-1500
4	Crankshaft Coupler	1	XA-V-630-2
5	HHCS, 1/4" - 28 x 3"	3	XB-07618
6	Lock Nut, 1/4" - 28	3	XB-3103
7	Washer	3	XB-04523

## ***Installation Procedure***

1. Remove crank arm assembly from crankshaft of gear box.
2. Refer to **Figure 2** for the following:
  - A. Remove the lower three (3) thread rolling screws from the gearbox assembly.
  - B. Redrill holes using a 17/64" (.265") drill.
3. Slide crankshaft coupler (4) over existing crankshaft. Align holes and secure coupler using rill pin (3). Gently tap into place.

NOTE: Use of excessive force when inserting the roll pins could result in bending of the existing crankshaft and possible internal gear damage to the gearbox. Use a three pound hammer as a back up anvil.
4. Slide extension shaft (1) into crankshaft coupler (4). Align holes and secure in place the remaining roll pin (3). Gently tap into place.
5. Slide extension bracket (2) over the extension shaft, coupler and existing crankshaft. The base of the extension bracket should rest against the gearbox assembly. See **Figure 1**.
6. Align holes in the base of the extension bracket (2) with reworked holes in the gearbox assembly. Insert HHCS (5) through extension bracket base and gearbox assembly and attach with lock nut (6).
7. Reattach crank arm assembly to the extension shaft.
8. Test shifting and cranking operations to ensure that the landing gear is functional.



From fifth wheel rebuild kits to suspension bushing repair kits, SAF-HOLLAND Original Parts are the same quality components used in the original component assembly. SAF-HOLLAND Original Parts are tested and designed to provide maximum performance and durability. Will-fits, look-alikes or worse yet counterfeit parts will only limit the performance potential and could possibly void SAF-HOLLAND's warranty. Always be sure to spec SAF-HOLLAND Original Parts when servicing your SAF, Holland or Neway product.

XL-LG303 Rev A 0409 Amendments and errors reserved. © SAF-HOLLAND, Inc.