

SAF (NEWAY) Mechanical Trailer Suspensions

Retirement of (Formerly NEWAY Brand) TR, TS and USR Series Mechanical Trailer Suspensions – All Models

Attention

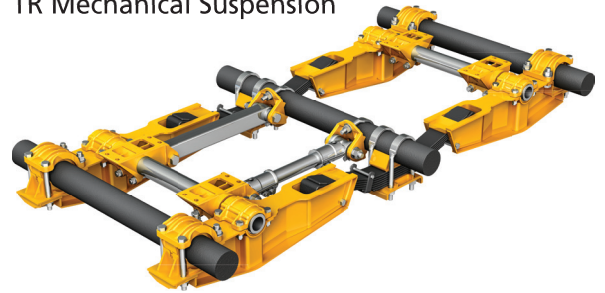
Effective January 1, 2019, SAF-HOLLAND has discontinued OEM availability for the TR, TS and USR Series Mechanical Trailer Suspensions product line.

Current or pending orders will be reviewed on a case by case basis per material availability and manufacturing capabilities. Your OEM account manager or customer service representative will be able to communicate acceptance of any future orders. Aftermarket service repair components and repair kits will still be available at this time.

If you have any questions or require additional product assistance, please contact your account manager or customer service representative.

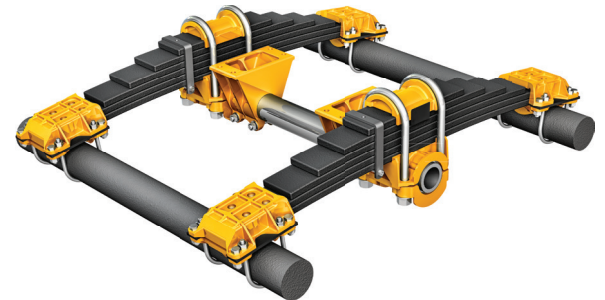
Discontinued Effective January 1, 2019

NEWAY
TR Mechanical Suspension



Discontinued Effective January 1, 2019

NEWAY
TS Mechanical Suspension



Discontinued Effective January 1, 2019

NEWAY
USR Mechanical Suspension

