

## All SAF-HOLLAND® (Binkley) Mechanical Suspension Systems – 5.00" Outside Diameter (O.D.) Axle Connection

Effective: July 2021

### Attention

In an effort to continually improve our products and align product offerings, SAF-HOLLAND will be changing over to a new cast lower axle clamp from our prior stamped plate. This new bottom plate will be similar in design of that used on our 5.75" O.D. axle. This change will be implemented on shipments starting July 1, 2021.

Fit, form and function remains the same as well as the U-bolt combination and will not require any high level part number changes at the OEM level. Only the clamp bracket part number will be changed.

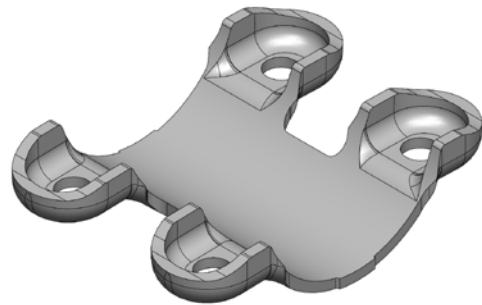
SAF-HOLLAND will ensure that the old design lower axle clamp brackets will not be mixed with new design lower axle clamp brackets on any single shipment. This is only for uniformity concerns. Mixing old and new brackets will not jeopardize functional integrity.

Please contact your SAF-HOLLAND OEM Account manager for more details.

The physical changes to the clamp bracket can be visually identified per the images to the right.

### Old Bracket Design

Part Number: SP0099



### New Bracket Design

Part Number: 90001892 Uncoated  
90001893 Coated

