

SAF-HOLLAND Manufactured Trailer Upper Body Rails

Product Offering Changes – Hutch Style Trailer Upper Body Rails Minimum Order Quantity Requirement

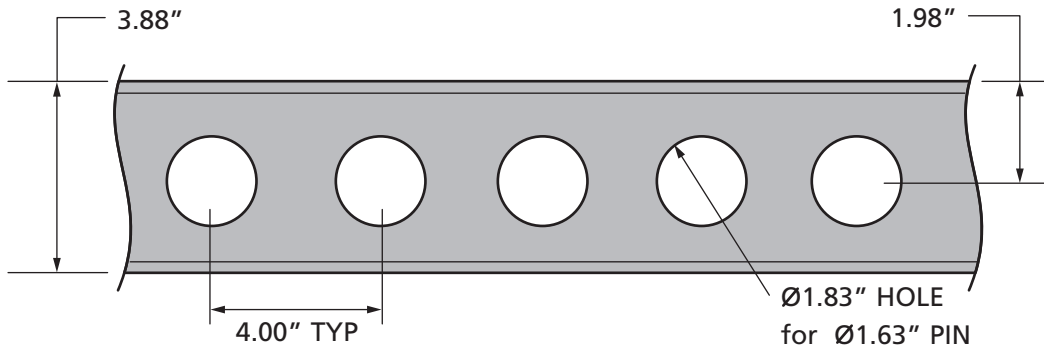
Effective: April 2021

Attention

Due to several significant market changes and production tooling change-out time, SAF-HOLLAND will restrict the availability of the Hutch style trailer upper body rails to order quantities of no less than 5,000 rails per order. This change will occur per the effectivity date noted above and will allow for pre-ordering of the Hutch style trailer upper body rails to assist with customers transitioning to alternative sources.

The Binkley style trailer upper body rail will still be available WITH NO order quantity restriction.

Hutch Style Trailer Upper Body Rail



Binkley Style Trailer Upper Body Rail

