



CP-740

CP-740 SPECIFICATIONS



Weight: 70 lbs.

⚠ WARNING Maintain adequate vertical (tongue) load to properly control the trailer (generally 10%), but do not exceed the above rated capacities.

TOWING APPLICATIONS:

Industrial material handling applications. This coupler can also be used for towing trailers and equipment designed for over-the-road towing within the stated capacities. For off-road applications, reduce the capacities above by 25% and use in conjunction with a swivel type drawbar.

DRAWBAR EYE DIMENSIONS:

Use only with Holland model DB-1249-49 drawbar (on a hinged tongue).

MOUNTING:

1. Use a mounting structure of sufficient strength to support the rated capacity of the coupler in accordance with SAE J849 and SAE J847, respectively.
2. Use the hole pattern described on the reverse.
3. Use (4) .75" grade 8 fasteners, properly tightened.

OPERATING INSTRUCTIONS:

⚠ WARNING When operating, use extreme caution. The mechanism of the coupler may allow sudden movement of trailer and tow vehicle and could cause injury to the operator.

1. Before operating, inspect for proper operation; worn, damaged, or missing parts; and a secure mounting. Correct as required before use.
2. To open jaw (A), pull out secondary lock handle (B) then rotate the release handle (C) away from the mounting base. The secondary lock handle (B) can then be released and the coupler jaw rotated down to open.



Rigid Type Coupler with hand release and secondary lock.

20,000 lbs. Maximum Vertical Load
100,000 lbs. Maximum Gross Trailer Weight

3. To couple, back near the trailer with the trailer drawbar centered on the coupler. Stop and adjust the drawbar height so it will enter the coupler mouth. Back in slowly to automatically lock the coupler to the drawbar.

⚠ WARNING **DO NOT** damage the coupler or its components. Be particularly careful with the drawbar when coupling and uncoupling.

4. Check that the coupler jaw is closed and locked, release handle (C) is back to a vertical position, and the secondary lock handle base (B) is flat against its housing end.

⚠ WARNING Other steps and inspections are also required. Consult OSHA and D.O.T. Regulations and American Trucking Association for complete coupling and uncoupling procedures. These cover items such as cargo securement, brakes, lights, safety chains, and other important requirements.

MAINTENANCE

For proper performance, the following maintenance steps should be performed every 30,000 miles or 3 months, whichever comes first.

1. Clean and check for proper operation. Inspect for worn, damaged or missing parts. Replace as required using only Holland parts.
2. Inspect in particular, the coupling contact area. Replace when wear exceeds 1/8" (.125") from the original surface profile.
3. Regularly lubricate all pivot points with a light oil lubricant.
4. Check mounting fasteners for proper torque.

GENERAL INFORMATION:

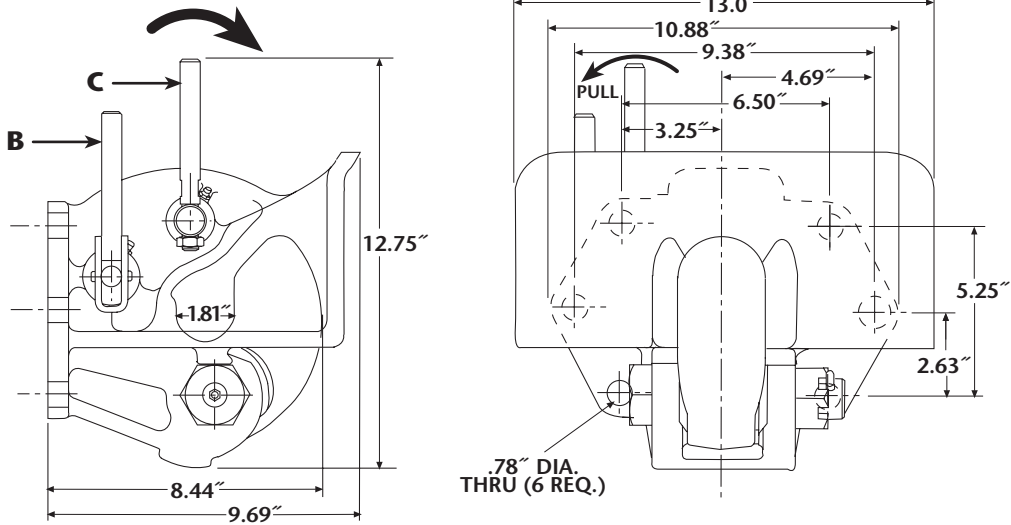
1. Do not modify or add to the product.
2. Wear safety goggles during installation, removal and servicing.
3. Never strike any part of the item with a steel hammer.
4. Do not weld on this product without written consent from the factory.



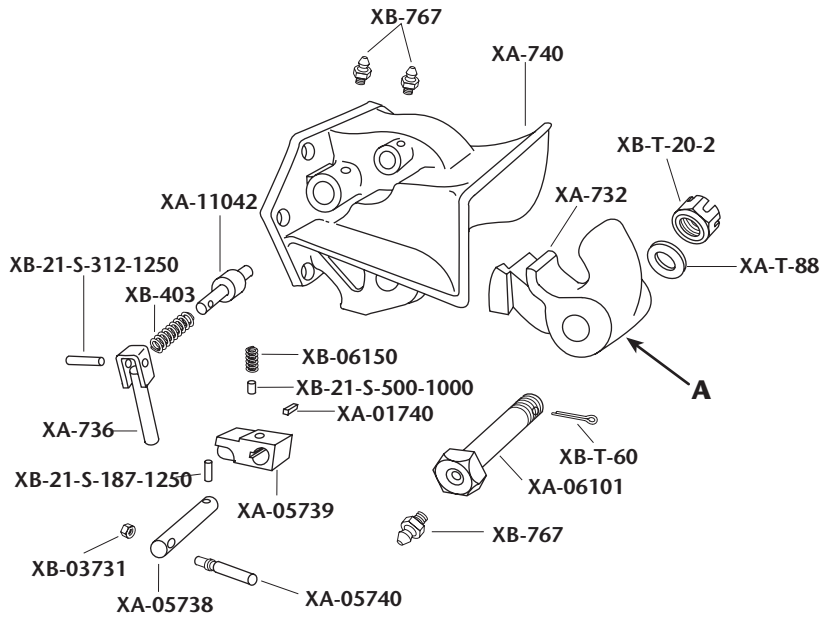
This product must not be used or maintained in a careless manner.

This product is covered by Holland's Commercial Products Warranty. Holland reserves the right, without giving prior notice, to change specifications and dimensions as designs are altered or improved.

CP-740



ALL DIMENSIONS SHOWN ARE NOMINAL



GO THE DISTANCE.

Copyright © January 2007 • The Holland Group, Inc.

Holland USA, Inc. Facilities:
 Dumas, AR Muskegon, MI
 Holland, MI Warrenton, MO
 Monroe, NC Wylie, TX
 Ph: 888-396-6501 Fax: 800-356-3929

Holland International, Inc.
 Holland, MI
 Phone: 616-396-6501
 Fax: 616-396-1511

Holland Hitch of Canada, Ltd.
 Woodstock, Ontario • Canada
 Phone: 519-537-3494
 Fax: 800-565-7753

Holland Equipment, Ltd.
 Norwich, Ontario • Canada
 Phone: 519-863-3414
 Fax: 519-863-2398

Holland Hitch of Canada, Ltd.
 Surrey, British Columbia • Canada
 Phone: 604-574-7491
 Fax: 604-574-0244
 www.thehollandgroupinc.com