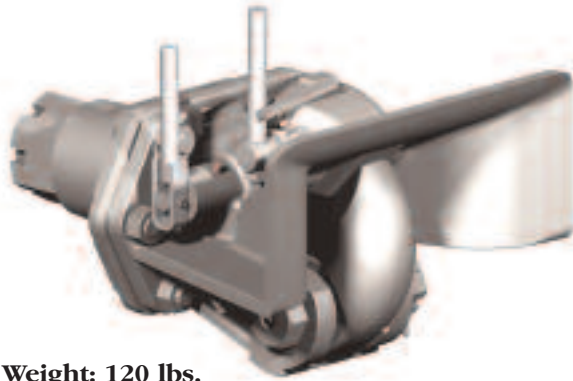




CP-730-S05745

CP-730-S05745 OPERATING INSTRUCTIONS



Weight: 120 lbs.

GENERAL INFORMATION

1. Do not modify or add to the product.
2. Wear safety goggles during installation, removal and servicing.
3. Never strike any part of the item with a steel hammer.
4. Do not weld on this product without written consent from the factory.
5. Other steps and inspections are also required. Consult OSHA and D.O.T. Regulations and American Trucking Association for complete coupling and uncoupling procedures. These cover items such as cargo securement, brakes, lights, safety chains, and other important requirements. Failure to follow appropriate procedures could result in death or serious injury.
6. Use with care to avoid damage to the coupler or its components. Be particularly careful with the drawbar when coupling and uncoupling.

This product is covered by Holland's Commercial Products Warranty. Holland reserves the right, without giving prior notice, to change specifications and dimensions as designs are altered or improved.



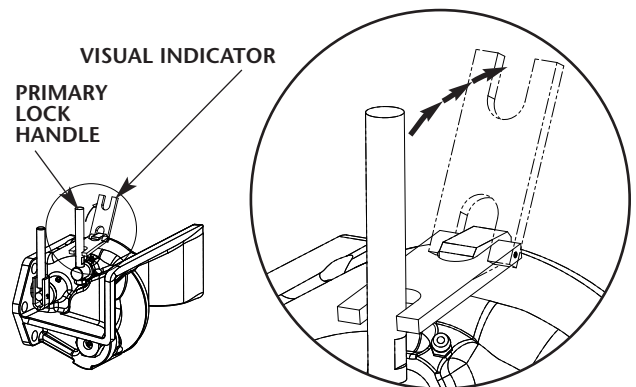
Swivel Type Automatic Coupler with Secondary Lock.

20,000 lbs. Maximum Vertical Load
100,000 lbs. Maximum Gross Trailer Weight

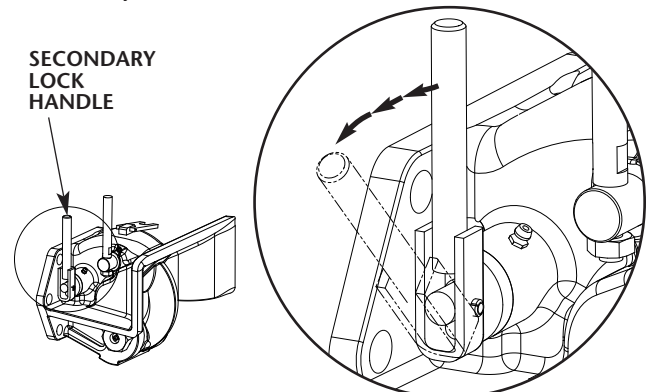
OPERATING INSTRUCTIONS

CAUTION When operating, use extreme caution. The mechanism of the coupler may allow sudden movement of trailer and tow vehicle and could cause injury to the operator.

1. Perform visual inspection. Before operating, inspect for proper operation, worn, damaged, or missing parts and a secure mounting. Take corrective action as required.
2. Disengage visual indicator. Rotate visual indicator (shown) away from the primary lock handle.

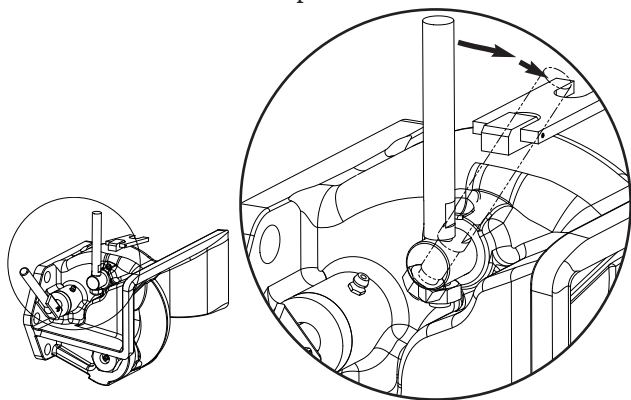


3. Release secondary lock. Rotate secondary lock handle away from the coupler (as shown) to release the secondary lock.

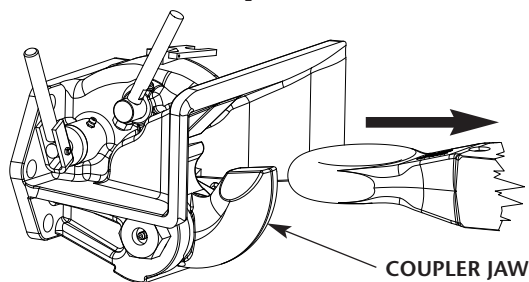


OPERATING INSTRUCTIONS con't

4. Release primary lock. While holding the secondary lock handle in the open position, rotate the primary lock handle rearward. The coupler jaw is immediately free to rotate down and open.



5. Remove drawbar. Uncouple the trailer by removing the drawbar from the coupler throat.



SWIVEL LOCKOUT

To lock the coupler frame and prevent rotation:

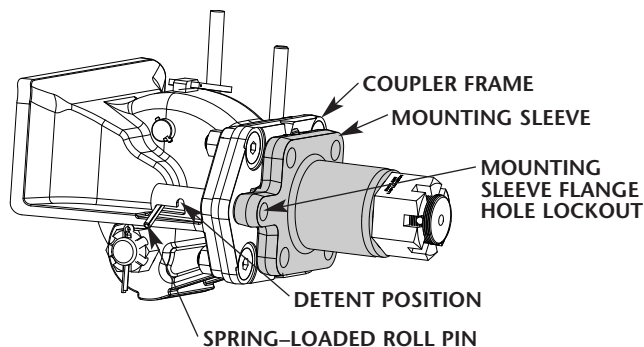
1. Locate the spring-loaded roll pin on the curbside center of the coupler frame.
2. Rotate the coupler frame until the spring-loaded roll pin is aligned with the matching hole in the mounting sleeve flange.
3. Push roll pin into the matching hole in the mounting sleeve flange and rotate the roll pin up into the detent position.
4. Coupler frame is now locked into position.

SWIVEL RELEASE

To release the coupler frame and allow rotation:

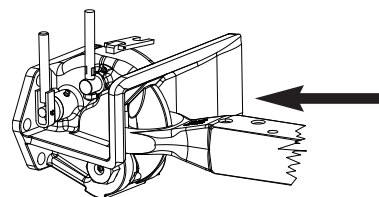
1. Locate the spring-loaded roll pin on the curbside center of the mounting flange.
2. Rotate the roll pin down and out of the detent position. (It may be necessary to push the roll pin forward to assist release from the detent position.)
3. The spring-loaded roll pin will disengage from the mounting sleeve flange and allow rotation of the coupler frame.

SWIVEL RELEASE con't

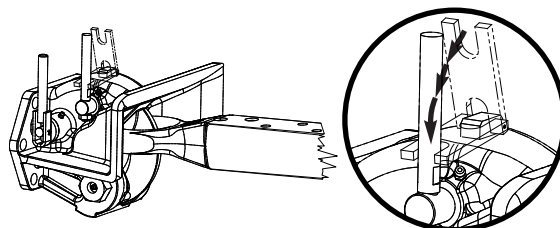


COUPLING SEQUENCE

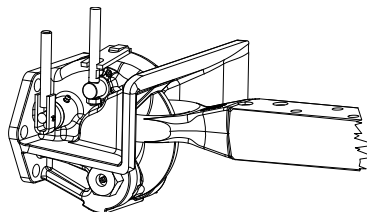
1. With coupler jaw in the open position and lock indicator disengaged, insert drawbar into the throat of the coupler with sufficient force to rotate the coupler jaw around the drawbar eye activating the lock. Both the primary lock handle and the secondary lock handle will return to their locked positions when completely coupled to the drawbar.



2. Engage visual indicator. Rotate visual indicator (shown below) toward the primary lock handle.



3. Verify coupling is secure. Recheck that the primary lock handle is in the vertical position, the secondary lock handle has also rotated to the vertical position (flat against the housing) and the visual indicator is positioned across both sides of the primary lock handle.



Copyright © October 2005 • The Holland Group, Inc.

Holland USA, Inc. Facilities:

Dumas, AR Muskegon, MI
Holland, MI Warrenton, MO
Monroe, NC Wylie, TX

Ph: 888-396-6501 Fax: 800-356-3929

Holland International, Inc.

Holland, MI
Phone: 616-396-6501
Fax: 616-396-1511

Holland Hitch of Canada, Ltd.

Woodstock, Ontario • Canada
Phone: 519-537-3494
Fax: 800-565-7753

Holland Equipment, Ltd.

Norwich, Ontario • Canada
Phone: 519-863-3414
Fax: 519-863-2398

Holland Hitch of Canada, Ltd.

Surrey, British Columbia • Canada
Phone: 604-574-7491
Fax: 604-574-0244