

Important Information SAF® Self Steering Axles

Product Change Notice

SAF CBX25 and CBX25/30 w/245 Suspensions with Self-Steer Axles

May, 2019

SAF-HOLLAND® has made a product change to include a lower air spring spacer when required on all SAF CBX25 and CBX25/30 w/245 Suspensions with Self-Steer Axles.

Effective: June 2019

Product Change

SAF-HOLLAND Announces the introduction of a lower air spring spacer when required on all CBX25 and 25/30 w/ 245 suspensions with self-steer axles. Beginning June 2019, customers will no longer need to design and supply their own upper air spring spacer. The spacer mounting location has transitioned from the top of the air spring to the bottom. SAF-HOLLAND has designed a lower spring spacer that allows our customers to streamline suspension installation. When required, an appropriate spacer kit will be included with the suspension and self steer axle assembly. Lower air spring spacer requirements will be listed on the suspension installation drawing provided in the suspension literature kit.

Aftermarket lower air spring spacer kits for existing units with convoluted ride bags in the field that require a spacer (One kit per axle):

- 11006032 – Air Spring Spacer kit – 0.50"
- 11006033 – Air Spring Spacer kit – 1.00"
- 11006035 – Air Spring Spacer kit – 1.50"

CAUTION

Failure to install the lower air spring spacer when required could result in premature air spring failure which, if not avoided, can lead to product damage.

For questions or additional product assistance, please contact your account manager or contact customer service at 888-396-6501

Figure 1: Old Air Spring Spacer Configuration

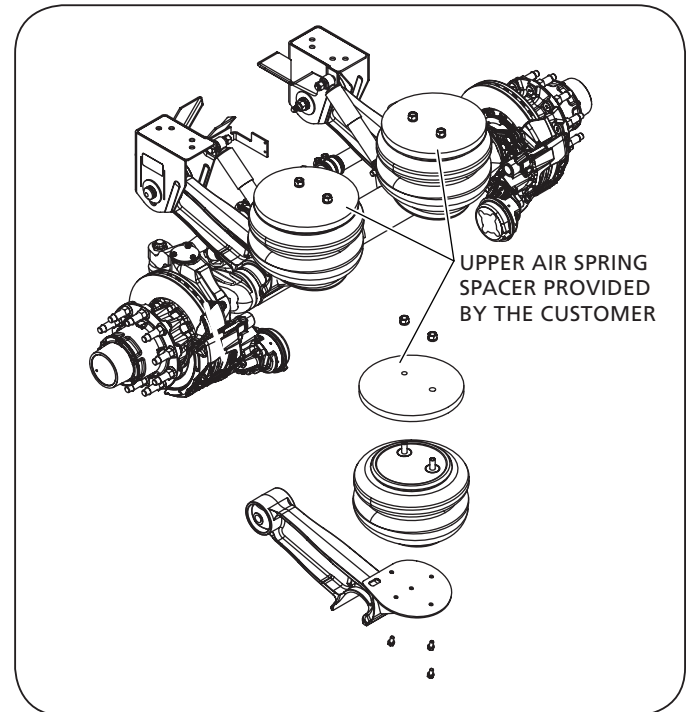


Figure 2: New Air Spring Spacer Configuration

